

REFER TO  
CONTRACT  
DOCUMENTS  
FOR EXACT  
CONSTRUCTION  
DETAILS

OPTIONAL FASTENER  
LOCATION IF UNAVOIDABLE

2"

PFD

ACM PANEL BY MDS

9/16"

SHIMS & STAINLESS STEEL  
FASTENERS BY INSTALLER (SIZE,  
TYPE AND QUANTITY SHALL BE  
APPROPRIATE FOR CONDITIONS)

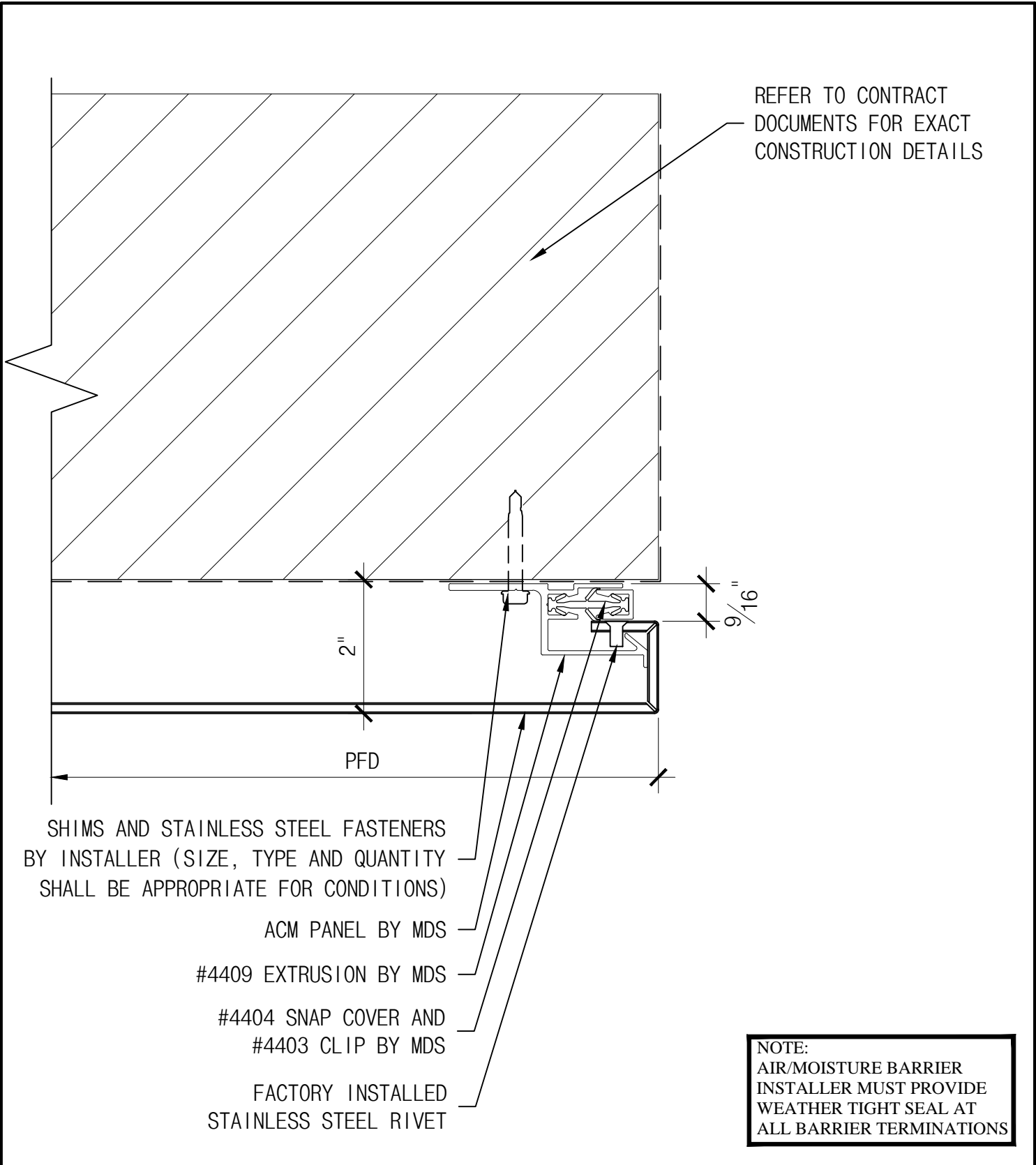
#4401 EXTRUSION BY MDS

FACTORY INSTALLED  
STAINLESS STEEL RIVET

#4404 SNAP COVER AND  
#4403 CLIP BY MDS

**NOTE:**  
AIR/MOISTURE BARRIER  
INSTALLER MUST PROVIDE  
WEATHER TIGHT SEAL AT  
ALL BARRIER TERMINATIONS


<p>THE INFORMATION CONTAINED IN THIS DRAWING IS THE SOLE PROPERTY OF METAL DESIGN SYSTEMS. ANY REPRODUCTION, IN PART OR WHOLE, WITHOUT THE WRITTEN PERMISSION OF METAL DESIGN SYSTEMS IS PROHIBITED.</p>	 <b>METAL DESIGN SYSTEMS</b> <small>DESIGNED FOR A PERFECT FIT.</small>	<b>METAL DESIGN SYSTEMS</b>		<b>PROJECT</b> SERIES 44 DETAILS			
		4150 C Street S.W. CEDAR RAPIDS, IA. 52404 Ph. (319) 362-7454		<b>DRAWING DESCRIPTION</b> #4401 TERMINATION DETAIL			
		<b>MATERIAL</b>		<b>PROJECT NUMBER</b>	<b>DRAWING NUMBER</b> S44-ACM-01A	<b>DATE</b> 6.02.14	
				<b>SCALE</b> 6" = 1'-0"	<b>DRAWN BY</b>		

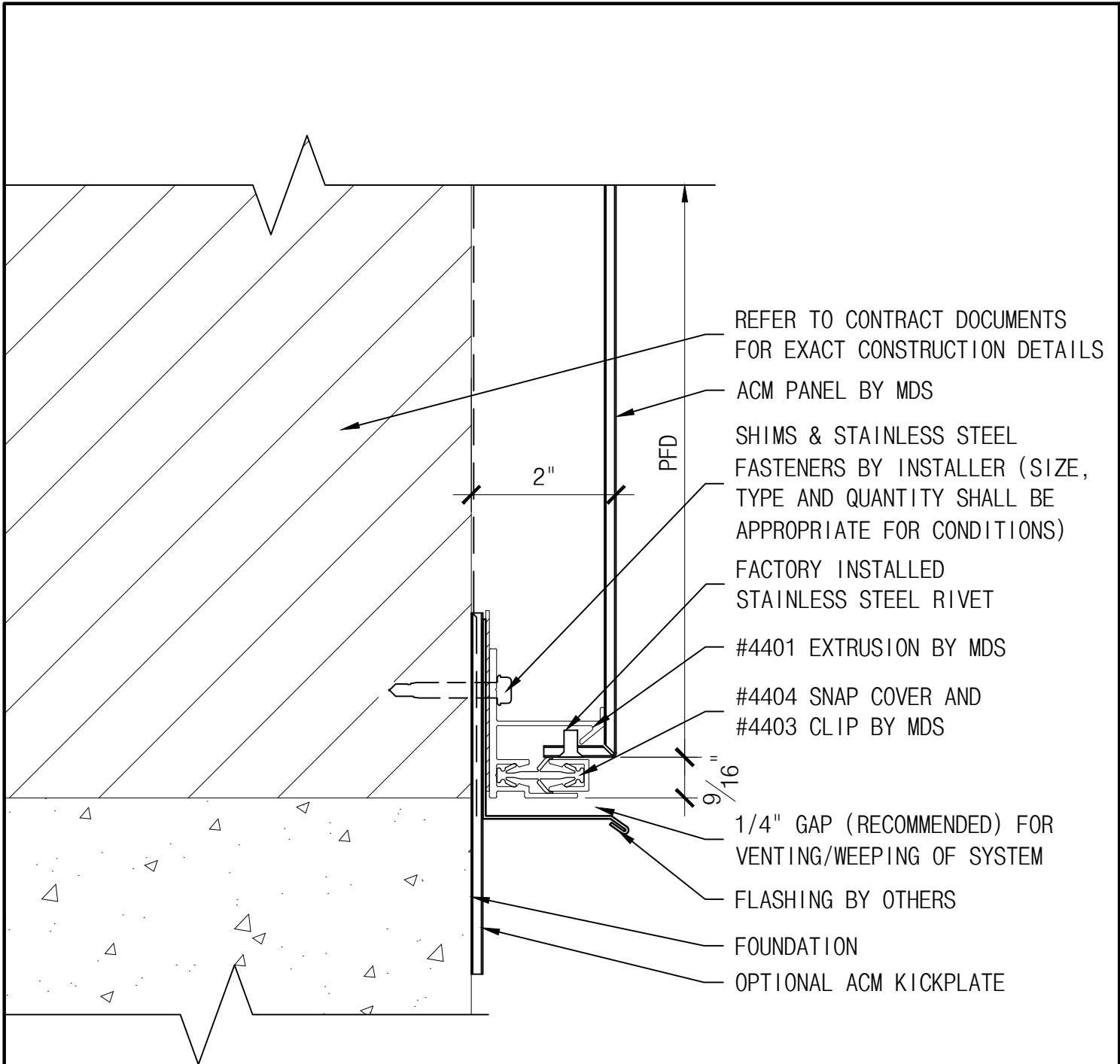


REFER TO CONTRACT DOCUMENTS FOR EXACT CONSTRUCTION DETAILS


- SHIMS AND STAINLESS STEEL FASTENERS BY INSTALLER (SIZE, TYPE AND QUANTITY SHALL BE APPROPRIATE FOR CONDITIONS)
- ACM PANEL BY MDS
- #4409 EXTRUSION BY MDS
- #4404 SNAP COVER AND #4403 CLIP BY MDS
- FACTORY INSTALLED STAINLESS STEEL RIVET

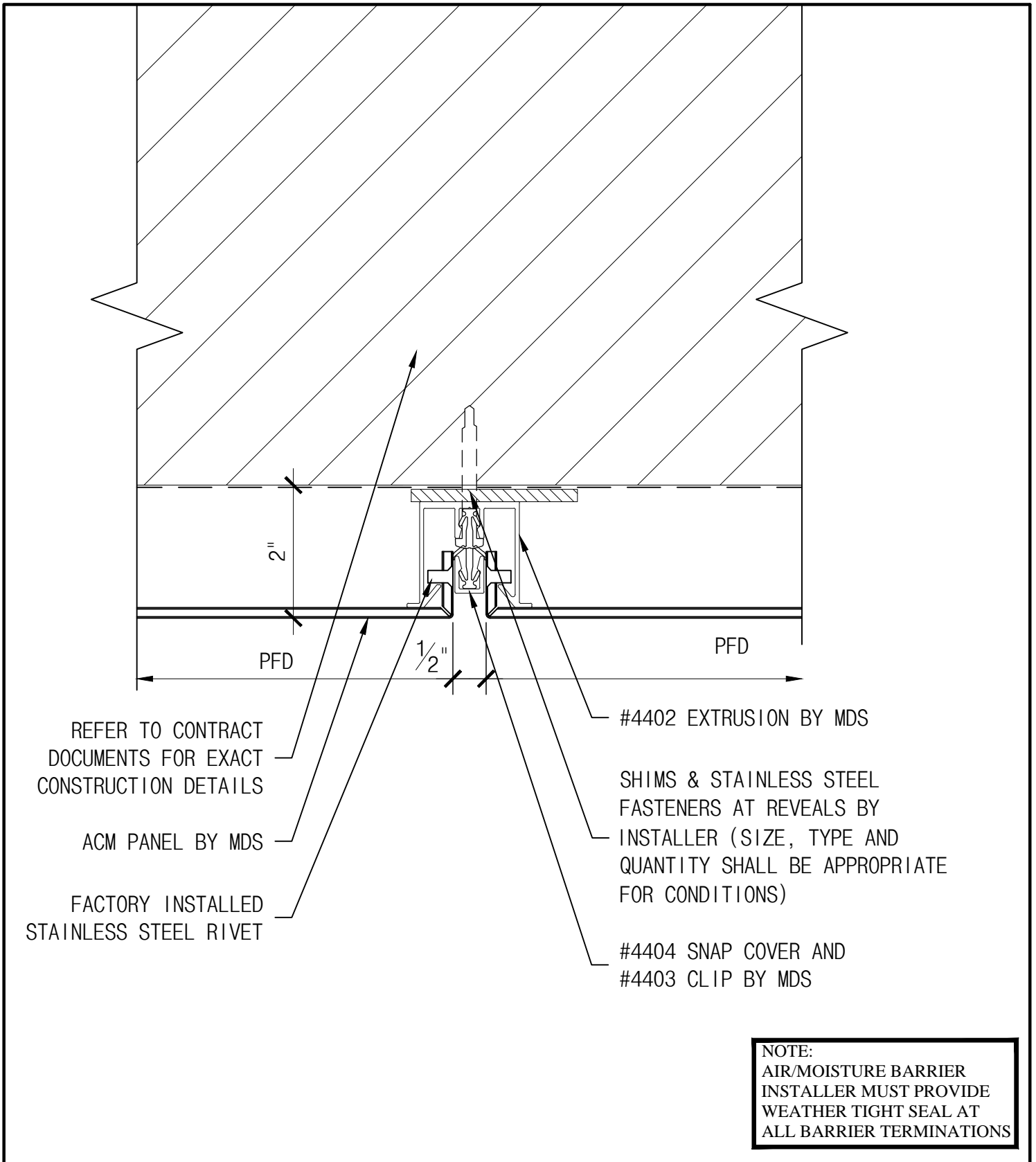
**NOTE:**  
AIR/MOISTURE BARRIER  
INSTALLER MUST PROVIDE  
WEATHER TIGHT SEAL AT  
ALL BARRIER TERMINATIONS


<p>THE INFORMATION CONTAINED IN THIS DRAWING IS THE SOLE PROPERTY OF METAL DESIGN SYSTEMS. ANY REPRODUCTION, IN PART OR WHOLE, WITHOUT THE WRITTEN PERMISSION OF METAL DESIGN SYSTEMS IS PROHIBITED.</p>	 <b>METAL DESIGN SYSTEMS</b> <small>DESIGNED FOR A PERFECT FIT.</small>	<b>METAL DESIGN SYSTEMS</b>	PROJECT		
		4150 C Street S.W. CEDAR RAPIDS, IA. 52404 Ph. (319) 362-7454	SERIES 44 DETAILS		
			DRAWING DESCRIPTION		
			#4409 TERMINATION DETAIL		
		MATERIAL	PROJECT NUMBER	DRAWING NUMBER	DATE
				S44-ACM-01B	6.02.14
			SCALE	DRAWN BY	
			6" = 1'-0"		

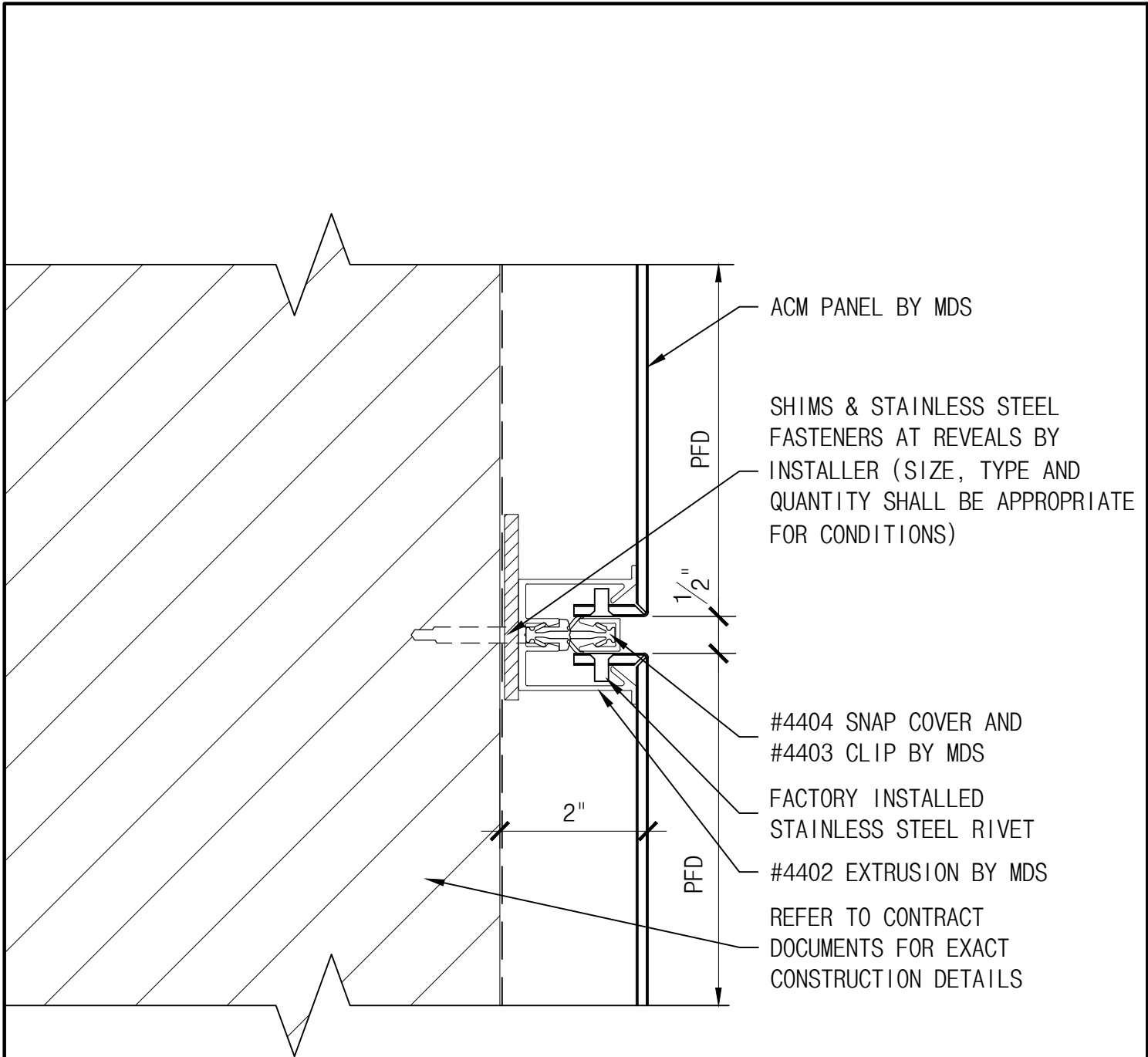


**NOTE:**  
 AIR/MOISTURE BARRIER  
 INSTALLER MUST PROVIDE  
 WEATHER TIGHT SEAL AT  
 ALL BARRIER TERMINATIONS


<p>THE INFORMATION CONTAINED IN THIS DRAWING IS THE SOLE PROPERTY OF METAL DESIGN SYSTEMS. ANY REPRODUCTION, IN PART OR WHOLE, WITHOUT THE WRITTEN PERMISSION OF METAL DESIGN SYSTEMS IS PROHIBITED.</p>	 <p><b>METAL DESIGN SYSTEMS</b>          DESIGNED FOR A PERFECT FIT.</p>	<p><b>METAL DESIGN SYSTEMS</b></p>		<p>PROJECT  <b>SERIES 44 DETAILS</b></p>			
		<p>4150 C Street S.W.          CEDAR RAPIDS, IA. 52404          Ph. (319) 362-7454</p>		<p>DRAWING DESCRIPTION  <b>TERMINATION AT FOUNDATION</b></p>			
		<p>MATERIAL</p>		<p>PROJECT NUMBER</p>	<p>DRAWING NUMBER  <b>S44-ACM-02</b></p>	<p>DATE  <b>6.02.14</b></p>	
		<p>6" = 1'-0"</p>		<p>DRAWN BY</p>			

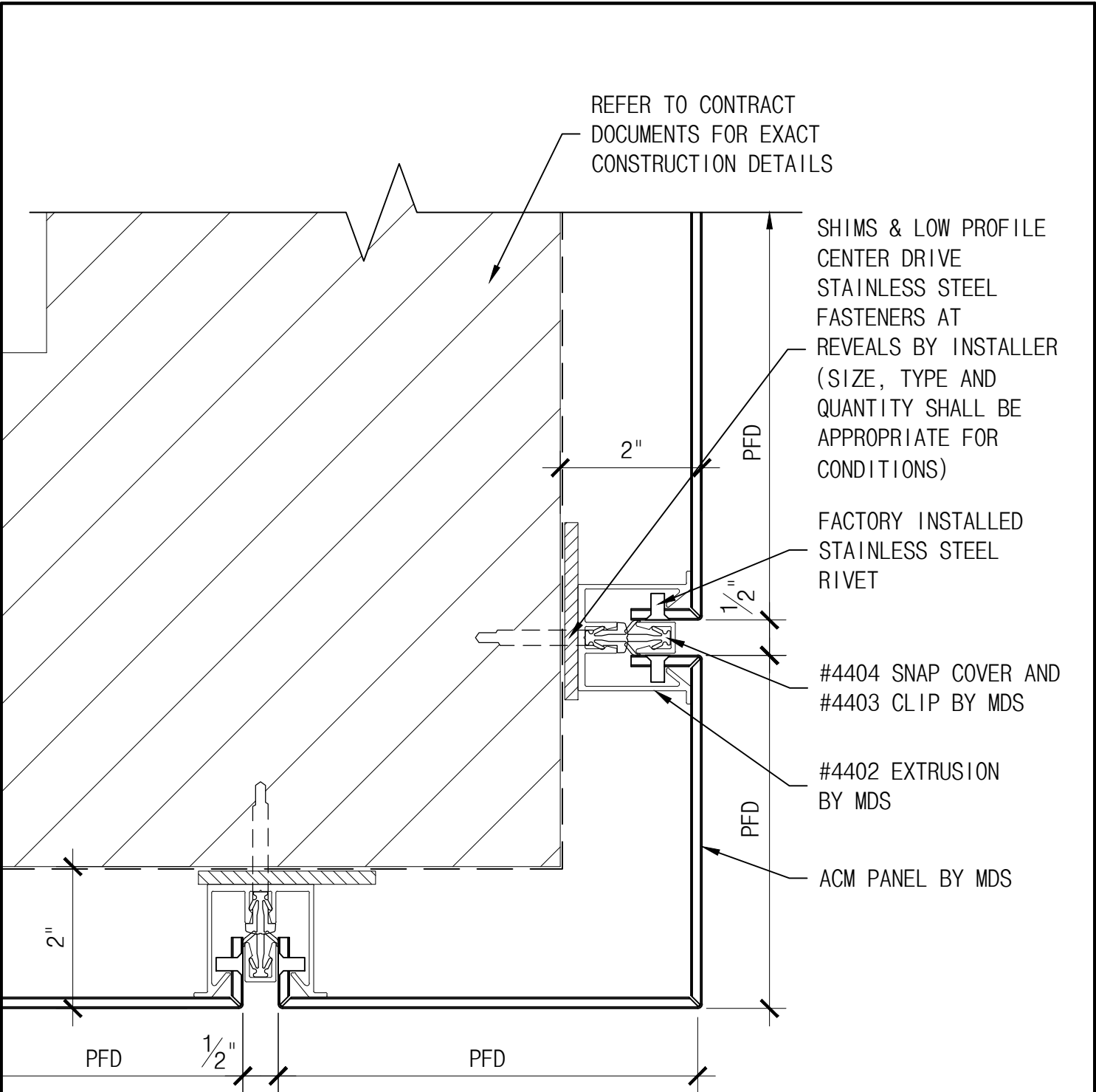


<p>THE INFORMATION CONTAINED IN THIS DRAWING IS THE SOLE PROPERTY OF METAL DESIGN SYSTEMS. ANY REPRODUCTION, IN PART OR WHOLE, WITHOUT THE WRITTEN PERMISSION OF METAL DESIGN SYSTEMS IS PROHIBITED.</p>	 <b>METAL DESIGN SYSTEMS</b> <small>DESIGNED FOR A PERFECT FIT.</small>	<b>METAL DESIGN SYSTEMS</b> 4150 C Street S.W. CEDAR RAPIDS, IA. 52404 Ph. (319) 362-7454	PROJECT <b>SERIES 44 DETAILS</b>				
		DRAWING DESCRIPTION <b>VERTICAL PANEL JOINT</b>			PROJECT NUMBER	DRAWING NUMBER <b>S44-ACM-03</b>	DATE <b>6.02.14</b>
		MATERIAL	SCALE <b>6" = 1'-0"</b>		DRAWN BY		
		(Empty row for additional details)					



**NOTE:**  
 AIR/MOISTURE BARRIER  
 INSTALLER MUST PROVIDE  
 WEATHER TIGHT SEAL AT  
 ALL BARRIER TERMINATIONS

<p>THE INFORMATION CONTAINED IN THIS DRAWING IS THE SOLE PROPERTY OF METAL DESIGN SYSTEMS. ANY REPRODUCTION, IN PART OR WHOLE, WITHOUT THE WRITTEN PERMISSION OF METAL DESIGN SYSTEMS IS PROHIBITED.</p>	 <b>METAL DESIGN SYSTEMS</b> <small>DESIGNED FOR A PERFECT FIT.</small>	<b>METAL DESIGN SYSTEMS</b>		PROJECT <b>SERIES 44 DETAILS</b>			
		4150 C Street S.W. CEDAR RAPIDS, IA. 52404 Ph. (319) 362-7454		DRAWING DESCRIPTION <b>HORIZONTAL PANEL JOINT</b>			
		MATERIAL		PROJECT NUMBER	DRAWING NUMBER <b>S44-ACM-04</b>	DATE <b>6.02.14</b>	
				SCALE <b>6" = 1'-0"</b>		DRAWN BY	



REFER TO CONTRACT DOCUMENTS FOR EXACT CONSTRUCTION DETAILS

SHIMS & LOW PROFILE CENTER DRIVE STAINLESS STEEL FASTENERS AT REVEALS BY INSTALLER (SIZE, TYPE AND QUANTITY SHALL BE APPROPRIATE FOR CONDITIONS)

FACTORY INSTALLED STAINLESS STEEL RIVET

#4404 SNAP COVER AND #4403 CLIP BY MDS

#4402 EXTRUSION BY MDS

ACM PANEL BY MDS

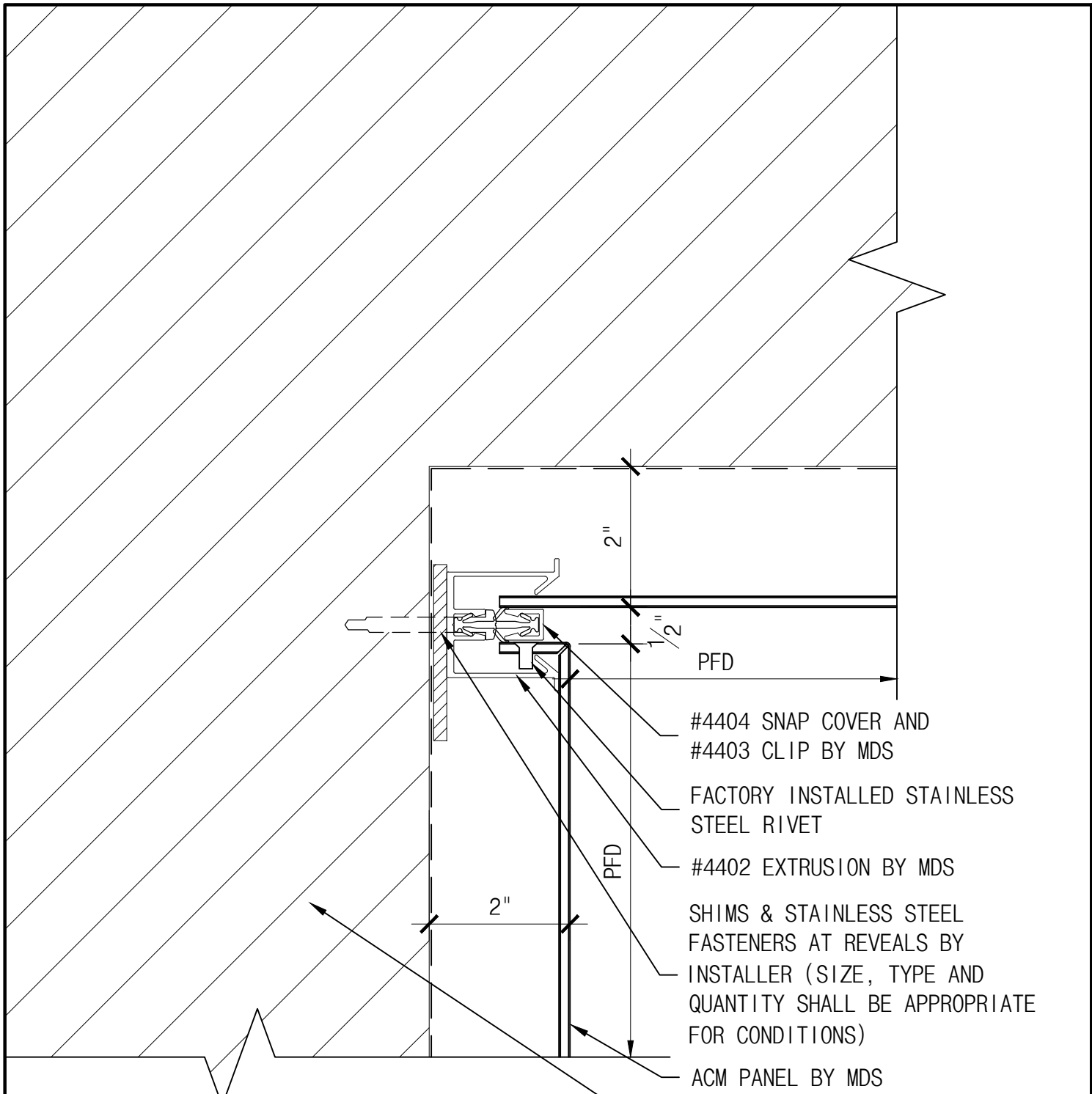
**NOTE:**  
AIR/MOISTURE BARRIER INSTALLER MUST PROVIDE WEATHER TIGHT SEAL AT ALL BARRIER TERMINATIONS

THE INFORMATION CONTAINED IN THIS DRAWING IS THE SOLE PROPERTY OF METAL DESIGN SYSTEMS. ANY REPRODUCTION, IN PART OR WHOLE, WITHOUT THE WRITTEN PERMISSION OF METAL DESIGN SYSTEMS IS PROHIBITED.



**METAL DESIGN SYSTEMS**  
4150 C Street S.W.  
CEDAR RAPIDS, IA. 52404  
Ph. (319) 362-7454

PROJECT <b>SERIES 44 DETAILS</b>		
DRAWING DESCRIPTION <b>OUTSIDE CORNER</b>		
PROJECT NUMBER	DRAWING NUMBER <b>S44-ACM-05</b>	DATE <b>6.02.14</b>
MATERIAL	SCALE <b>6" = 1'-0"</b>	DRAWN BY



**NOTE:**  
 AIR/MOISTURE BARRIER  
 INSTALLER MUST PROVIDE  
 WEATHER TIGHT SEAL AT  
 ALL BARRIER TERMINATIONS

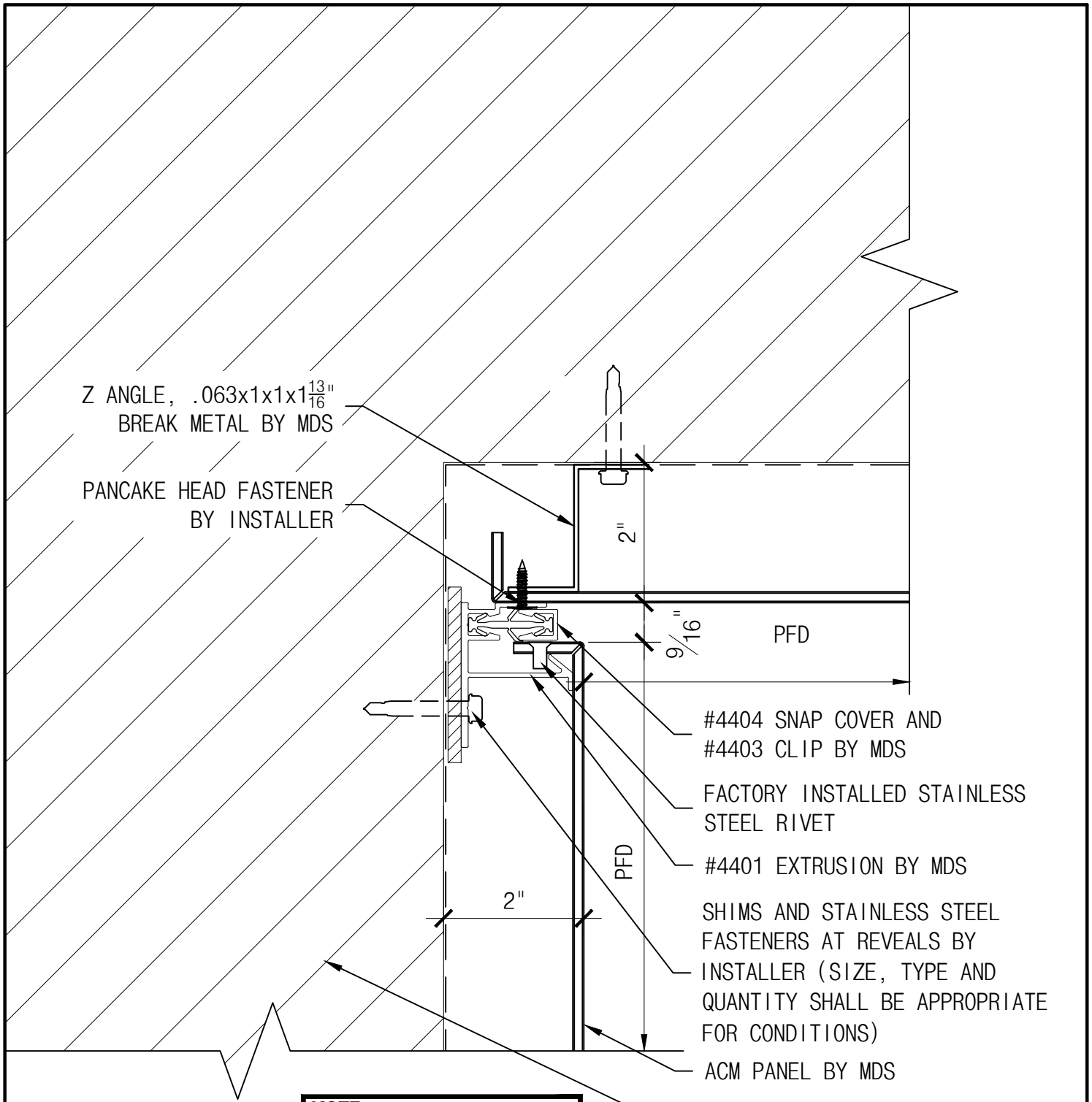
REFER TO CONTRACT DOCUMENTS FOR  
 EXACT CONSTRUCTION DETAILS

THE INFORMATION CONTAINED IN THIS  
 DRAWING IS THE SOLE PROPERTY OF  
 METAL DESIGN SYSTEMS. ANY  
 REPRODUCTION, IN PART OR WHOLE,  
 WITHOUT THE WRITTEN PERMISSION OF  
 METAL DESIGN SYSTEMS IS PROHIBITED.




**METAL DESIGN SYSTEMS**  
 4150 C Street S.W.  
 CEDAR RAPIDS, IA. 52404  
 Ph. (319) 362-7454

PROJECT <b>SERIES 44 DETAILS</b>		
DRAWING DESCRIPTION <b>#4402 INSIDE CORNER</b>		
PROJECT NUMBER	DRAWING NUMBER <b>S44-ACM-06A</b>	DATE <b>6.02.14</b>
MATERIAL	SCALE <b>6" = 1'-0"</b>	DRAWN BY

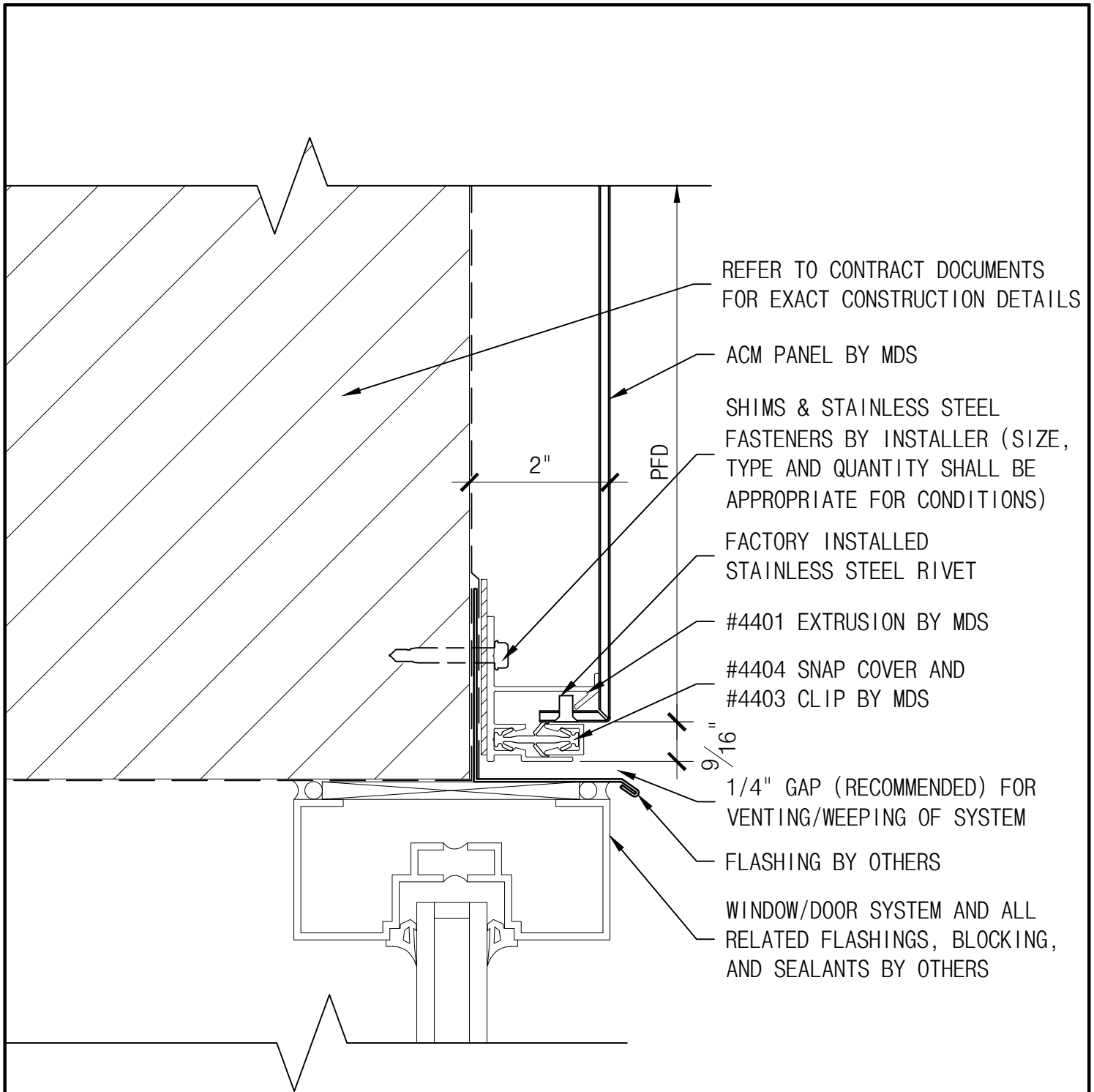


**NOTE:**  
AIR/MOISTURE BARRIER  
INSTALLER MUST PROVIDE  
WEATHER TIGHT SEAL AT  
ALL BARRIER TERMINATIONS

REFER TO CONTRACT DOCUMENTS FOR  
EXACT CONSTRUCTION DETAILS

<p>THE INFORMATION CONTAINED IN THIS DRAWING IS THE SOLE PROPERTY OF METAL DESIGN SYSTEMS. ANY REPRODUCTION, IN PART OR WHOLE, WITHOUT THE WRITTEN PERMISSION OF METAL DESIGN SYSTEMS IS PROHIBITED.</p>	 <p><b>METAL DESIGN SYSTEMS</b> DESIGNED FOR A PERFECT FIT.</p>	<p><b>METAL DESIGN SYSTEMS</b></p>		<p>PROJECT <b>SERIES 44 DETAILS</b></p>		
		<p>4150 C Street S.W. CEDAR RAPIDS, IA. 52404 Ph. (319) 362-7454</p>		<p>DRAWING DESCRIPTION <b>#4401 INSIDE CORNER</b></p>		
		<p>MATERIAL</p>		<p>PROJECT NUMBER</p>	<p>DRAWING NUMBER <b>S44-ACM-06B</b></p>	<p>DATE <b>6.02.14</b></p>
		<p>SCALE <b>6" = 1'-0"</b></p>		<p>DRAWN BY</p>		





REFER TO CONTRACT DOCUMENTS FOR EXACT CONSTRUCTION DETAILS

ACM PANEL BY MDS

SHIMS & STAINLESS STEEL FASTENERS BY INSTALLER (SIZE, TYPE AND QUANTITY SHALL BE APPROPRIATE FOR CONDITIONS)

FACTORY INSTALLED STAINLESS STEEL RIVET

#4401 EXTRUSION BY MDS


#4404 SNAP COVER AND #4403 CLIP BY MDS

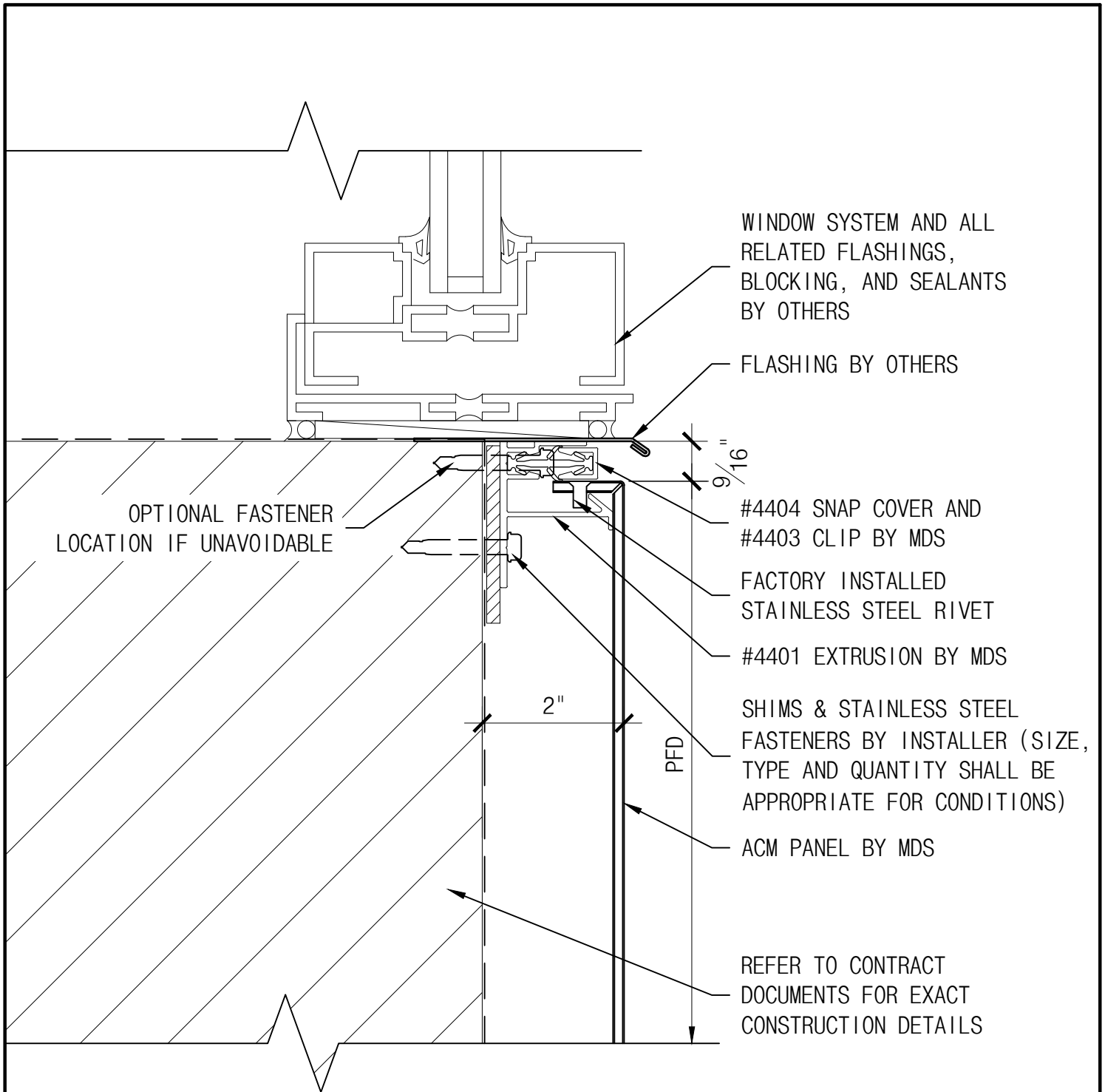
1/4" GAP (RECOMMENDED) FOR VENTING/WEEPING OF SYSTEM

FLASHING BY OTHERS

WINDOW/DOOR SYSTEM AND ALL RELATED FLASHINGS, BLOCKING, AND SEALANTS BY OTHERS

**NOTE:**  
AIR/MOISTURE BARRIER  
INSTALLER MUST PROVIDE  
WEATHER TIGHT SEAL AT  
ALL BARRIER TERMINATIONS

<p>THE INFORMATION CONTAINED IN THIS DRAWING IS THE SOLE PROPERTY OF METAL DESIGN SYSTEMS. ANY REPRODUCTION, IN PART OR WHOLE, WITHOUT THE WRITTEN PERMISSION OF METAL DESIGN SYSTEMS IS PROHIBITED.</p>	 <p><b>METAL DESIGN SYSTEMS</b> DESIGNED FOR A PERFECT FIT.</p>	<p><b>METAL DESIGN SYSTEMS</b></p>		<p>PROJECT <b>SERIES 44 DETAILS</b></p>			
		<p>4150 C Street S.W. CEDAR RAPIDS, IA. 52404 Ph. (319) 362-7454</p>		<p>DRAWING DESCRIPTION <b>WINDOW/DOOR HEAD</b></p>			
		<p>MATERIAL</p>		<p>PROJECT NUMBER</p>	<p>DRAWING NUMBER <b>S44-ACM-07</b></p>	<p>DATE <b>6.02.14</b></p>	
		<p>6" = 1'-0"</p>		<p>SCALE</p>		<p>DRAWN BY</p>	



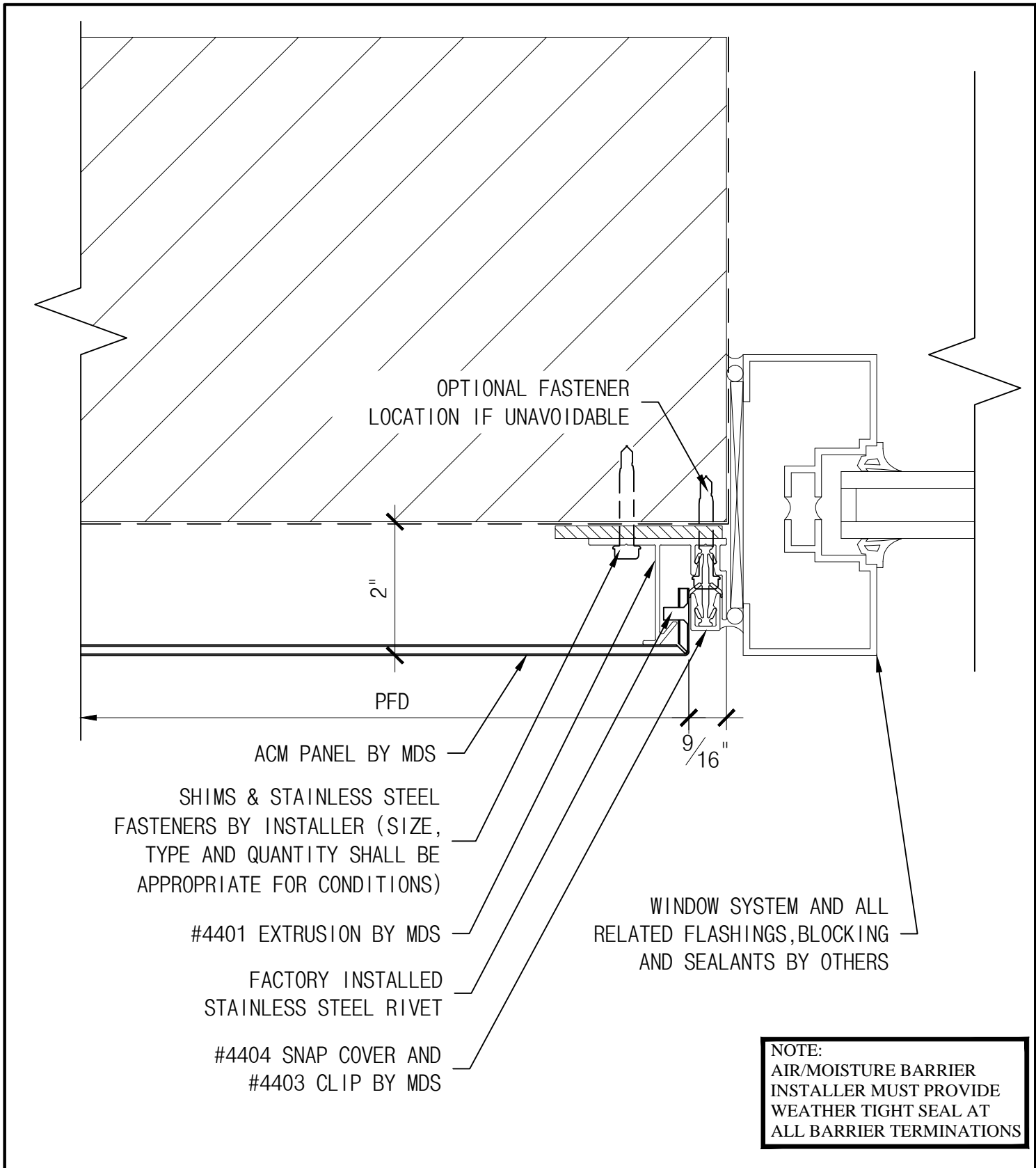
**NOTE:**  
 AIR/MOISTURE BARRIER  
 INSTALLER MUST PROVIDE  
 WEATHER TIGHT SEAL AT  
 ALL BARRIER TERMINATIONS

THE INFORMATION CONTAINED IN THIS DRAWING IS THE SOLE PROPERTY OF METAL DESIGN SYSTEMS. ANY REPRODUCTION, IN PART OR WHOLE, WITHOUT THE WRITTEN PERMISSION OF METAL DESIGN SYSTEMS IS PROHIBITED.




**METAL DESIGN SYSTEMS**  
 4150 C Street S.W.  
 CEDAR RAPIDS, IA. 52404  
 Ph. (319) 362-7454

PROJECT <b>SERIES 44 DETAILS</b>		
DRAWING DESCRIPTION <b>WINDOW SILL</b>		
PROJECT NUMBER	DRAWING NUMBER <b>S44-ACM-08</b>	DATE <b>6.02.14</b>
MATERIAL	SCALE <b>6" = 1'-0"</b>	DRAWN BY



THE INFORMATION CONTAINED IN THIS DRAWING IS THE SOLE PROPERTY OF METAL DESIGN SYSTEMS. ANY REPRODUCTION, IN PART OR WHOLE, WITHOUT THE WRITTEN PERMISSION OF METAL DESIGN SYSTEMS IS PROHIBITED.

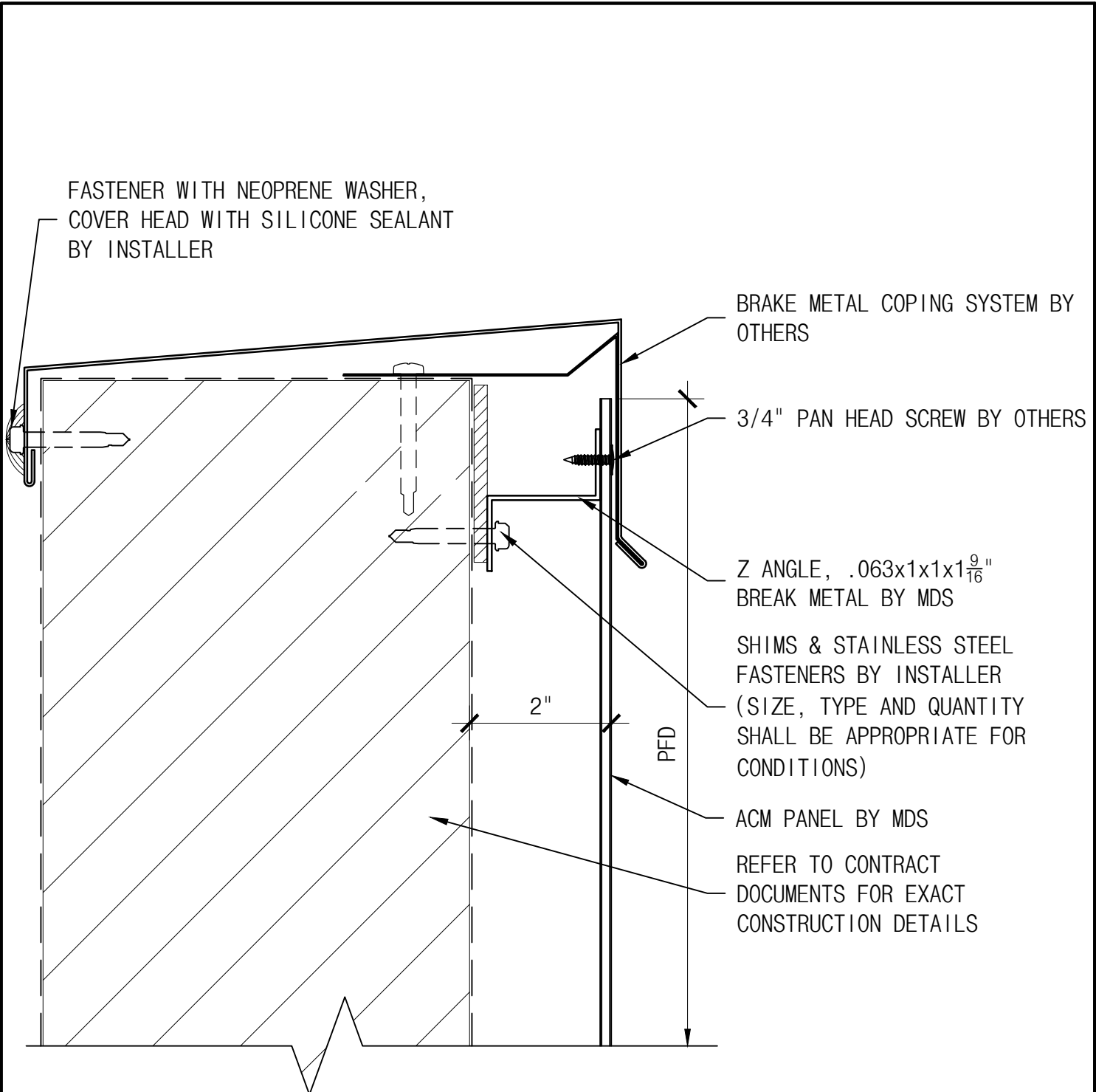


**METAL DESIGN SYSTEMS**  
 4150 C Street S.W.  
 CEDAR RAPIDS, IA. 52404  
 Ph. (319) 362-7454

**MATERIAL**

**METAL DESIGN SYSTEMS**  
 DESIGNED FOR A PERFECT FIT.

PROJECT <b>SERIES 44 DETAILS</b>		
DRAWING DESCRIPTION <b>WINDOW/DOOR JAMB</b>		
PROJECT NUMBER	DRAWING NUMBER <b>S44-ACM-09</b>	DATE <b>6.02.14</b>
SCALE <b>6" = 1'-0"</b>	DRAWN BY	



BRAKE METAL COPING SYSTEM BY OTHERS

3/4" PAN HEAD SCREW BY OTHERS

Z ANGLE, .063x1x1x1<sup>9</sup>/<sub>16</sub>"  
BREAK METAL BY MDS

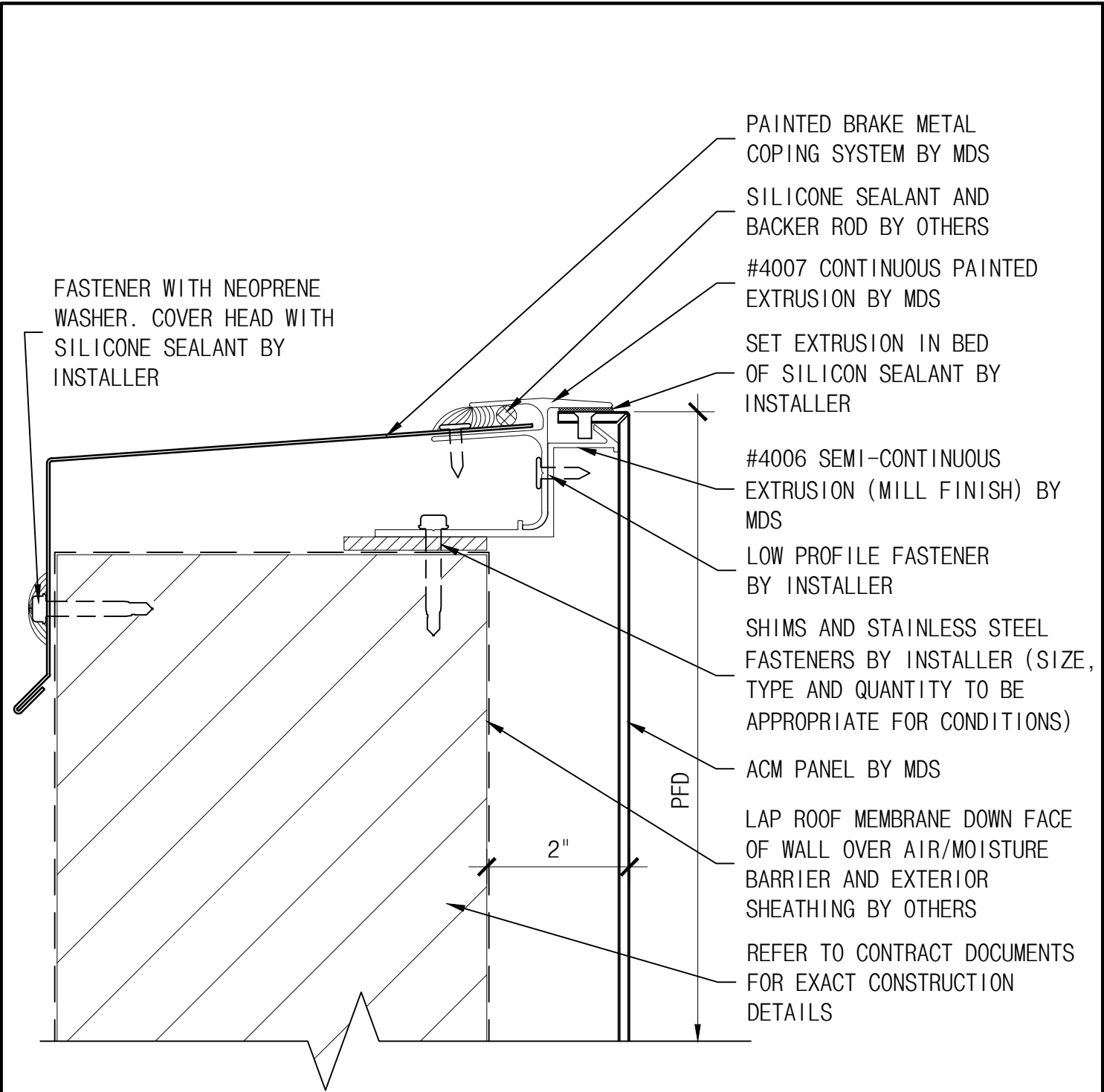
SHIMS & STAINLESS STEEL  
FASTENERS BY INSTALLER  
(SIZE, TYPE AND QUANTITY  
SHALL BE APPROPRIATE FOR  
CONDITIONS)

ACM PANEL BY MDS

REFER TO CONTRACT  
DOCUMENTS FOR EXACT  
CONSTRUCTION DETAILS

**NOTE:**  
AIR/MOISTURE BARRIER  
INSTALLER MUST PROVIDE  
WEATHER TIGHT SEAL AT  
ALL BARRIER TERMINATIONS

<p>THE INFORMATION CONTAINED IN THIS DRAWING IS THE SOLE PROPERTY OF METAL DESIGN SYSTEMS. ANY REPRODUCTION, IN PART OR WHOLE, WITHOUT THE WRITTEN PERMISSION OF METAL DESIGN SYSTEMS IS PROHIBITED.</p>	 <p><b>METAL DESIGN SYSTEMS</b> DESIGNED FOR A PERFECT FIT.</p>	<p><b>METAL DESIGN SYSTEMS</b></p>		<p>PROJECT <b>SERIES 44 DETAILS</b></p>			
		<p>4150 C Street S.W. CEDAR RAPIDS, IA. 52404 Ph. (319) 362-7454</p>		<p>DRAWING DESCRIPTION <b>BRAKE METAL COPING</b></p>			
		<p>MATERIAL</p>		<p>PROJECT NUMBER</p>	<p>DRAWING NUMBER <b>S44-ACM-10A</b></p>	<p>DATE <b>6.02.14</b></p>	
		<p>SCALE <b>6" = 1'-0"</b></p>		<p>DRAWN BY</p>			

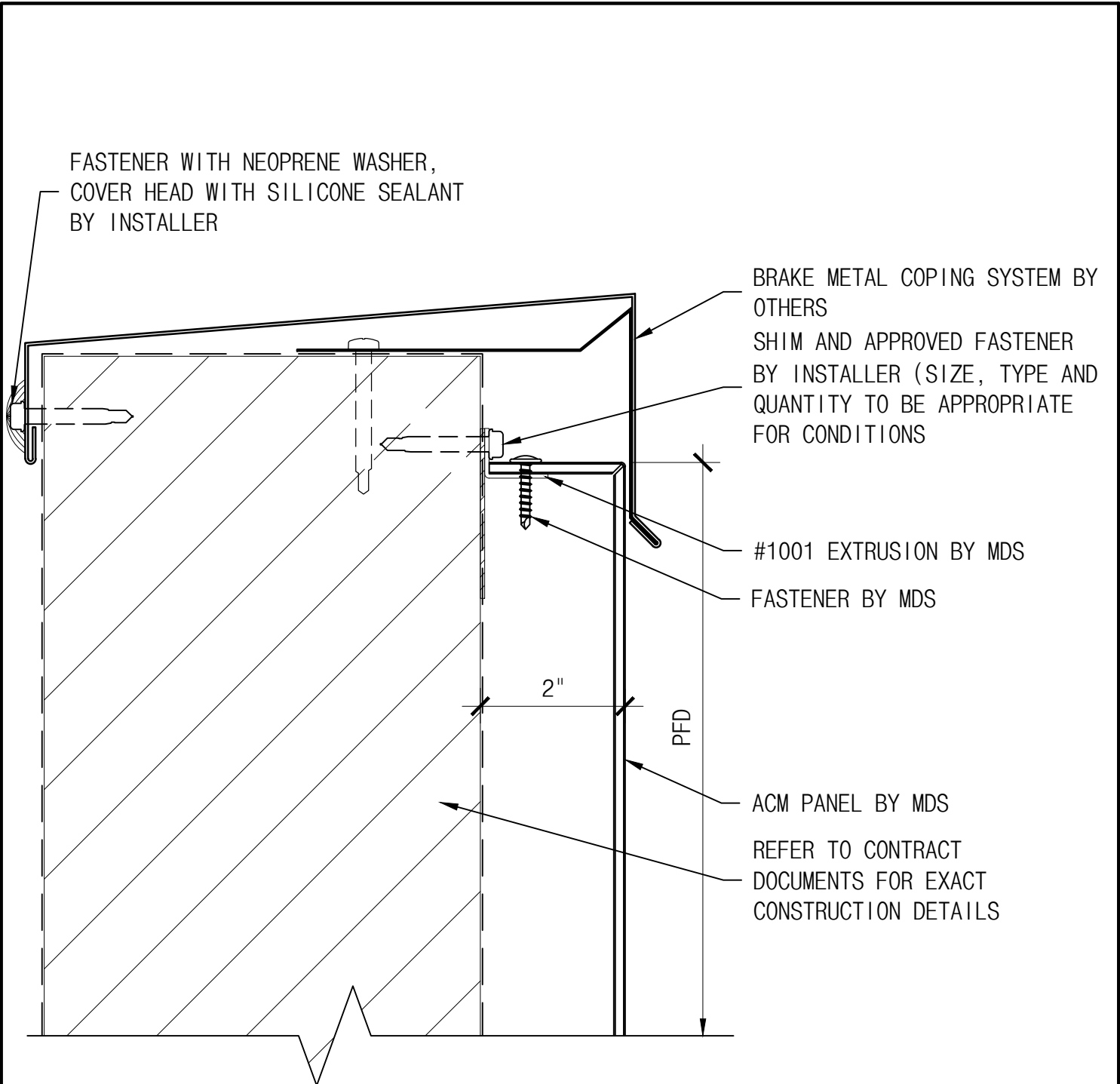


- PAINTED BRAKE METAL COPING SYSTEM BY MDS
- SILICONE SEALANT AND BACKER ROD BY OTHERS
- #4007 CONTINUOUS PAINTED EXTRUSION BY MDS
- SET EXTRUSION IN BED OF SILICON SEALANT BY INSTALLER
- #4006 SEMI-CONTINUOUS EXTRUSION (MILL FINISH) BY MDS
- LOW PROFILE FASTENER BY INSTALLER
- SHIMS AND STAINLESS STEEL FASTENERS BY INSTALLER (SIZE, TYPE AND QUANTITY TO BE APPROPRIATE FOR CONDITIONS)
- ACM PANEL BY MDS
- LAP ROOF MEMBRANE DOWN FACE OF WALL OVER AIR/MOISTURE BARRIER AND EXTERIOR SHEATHING BY OTHERS
- REFER TO CONTRACT DOCUMENTS FOR EXACT CONSTRUCTION DETAILS

FASTENER WITH NEOPRENE WASHER. COVER HEAD WITH SILICONE SEALANT BY INSTALLER

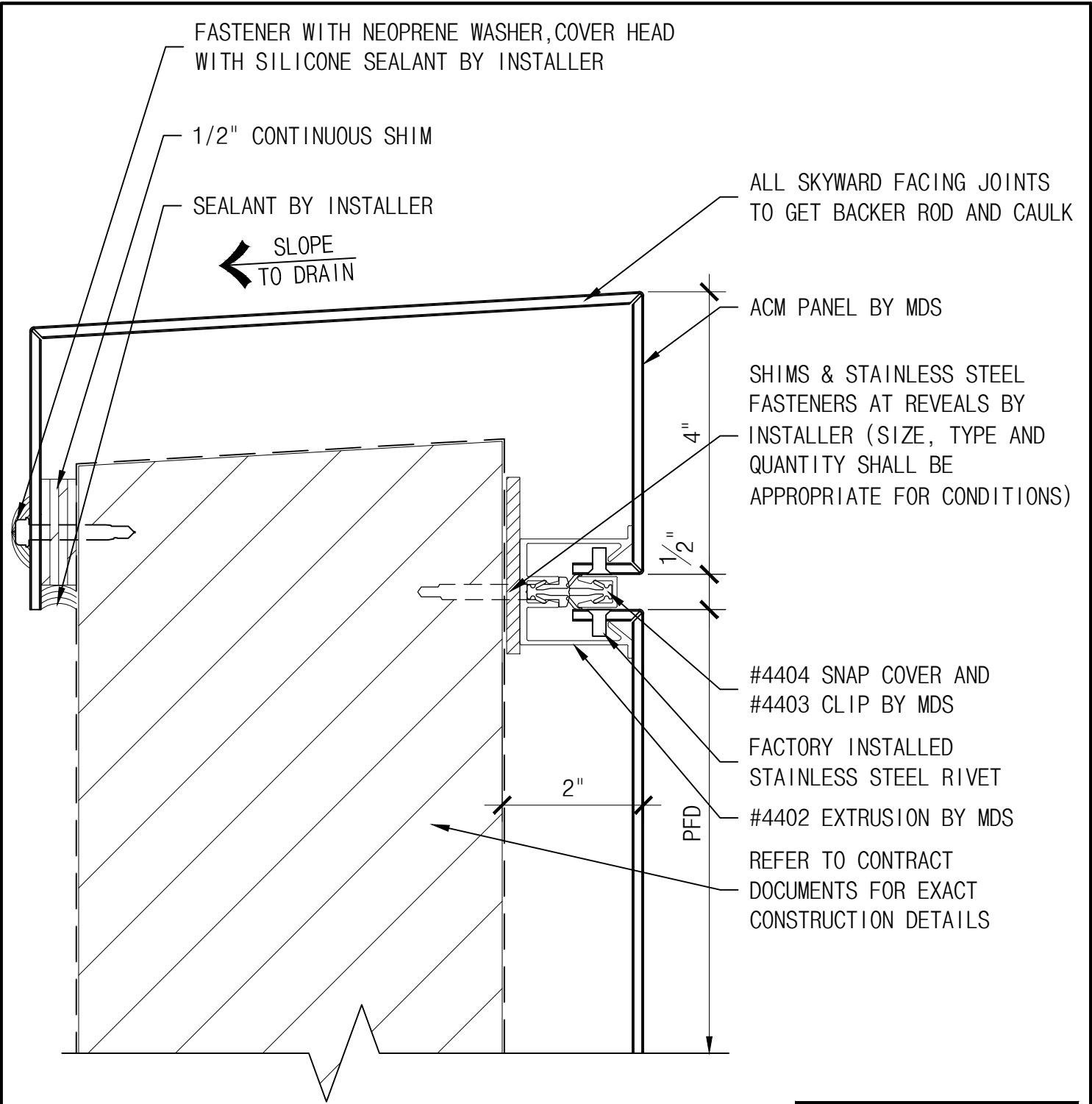
**NOTE:**  
AIR/MOISTURE BARRIER INSTALLER MUST PROVIDE WEATHER TIGHT SEAL AT ALL BARRIER TERMINATIONS

<p>THE INFORMATION CONTAINED IN THIS DRAWING IS THE SOLE PROPERTY OF METAL DESIGN SYSTEMS. ANY REPRODUCTION, IN PART OR WHOLE, WITHOUT THE WRITTEN PERMISSION OF METAL DESIGN SYSTEMS IS PROHIBITED.</p>	 <b>METAL DESIGN SYSTEMS</b> <small>DESIGNED FOR A PERFECT FIT.</small>	<b>METAL DESIGN SYSTEMS</b> 4150 C Street S.W. CEDAR RAPIDS, IA. 52404 Ph. (319) 362-7454		PROJECT <b>SERIES 44 DETAILS</b>			
		DRAWING DESCRIPTION <b>PARAPET EXTRUSION DETAIL</b>					
		PROJECT NUMBER		DRAWING NUMBER <b>S44-ACM-10B</b>		DATE <b>6.02.14</b>	
		MATERIAL		SCALE <b>6" = 1'-0"</b>		DRAWN BY	



**NOTE:**  
AIR/MOISTURE BARRIER  
INSTALLER MUST PROVIDE  
WEATHER TIGHT SEAL AT  
ALL BARRIER TERMINATIONS

<p>THE INFORMATION CONTAINED IN THIS DRAWING IS THE SOLE PROPERTY OF METAL DESIGN SYSTEMS. ANY REPRODUCTION, IN PART OR WHOLE, WITHOUT THE WRITTEN PERMISSION OF METAL DESIGN SYSTEMS IS PROHIBITED.</p>	 <b>METAL DESIGN SYSTEMS</b> <small>DESIGNED FOR A PERFECT FIT.</small>	<b>METAL DESIGN SYSTEMS</b>		PROJECT <b>SERIES 44 DETAILS</b>			
		4150 C Street S.W. CEDAR RAPIDS, IA. 52404 Ph. (319) 362-7454		DRAWING DESCRIPTION <b>BRAKE METAL COPING</b>			
		MATERIAL		PROJECT NUMBER	DRAWING NUMBER <b>S44-ACM-10C</b>	DATE <b>6.02.14</b>	
				SCALE <b>6" = 1'-0"</b>		DRAWN BY	



ALL SKYWARD FACING JOINTS TO GET BACKER ROD AND CAULK

ACM PANEL BY MDS

SHIMS & STAINLESS STEEL FASTENERS AT REVEALS BY INSTALLER (SIZE, TYPE AND QUANTITY SHALL BE APPROPRIATE FOR CONDITIONS)


#4404 SNAP COVER AND #4403 CLIP BY MDS

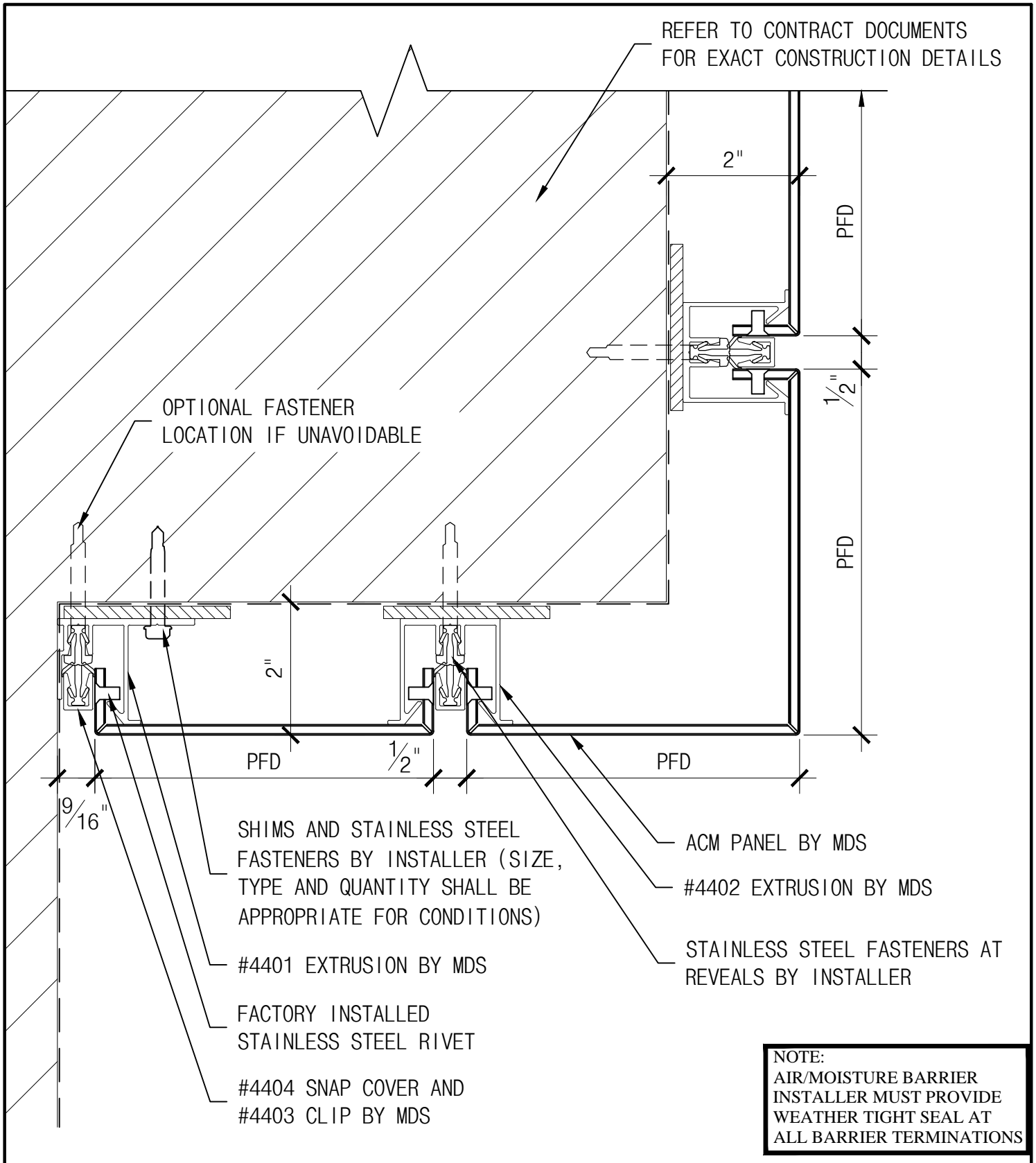
FACTORY INSTALLED STAINLESS STEEL RIVET


#4402 EXTRUSION BY MDS

REFER TO CONTRACT DOCUMENTS FOR EXACT CONSTRUCTION DETAILS

**NOTE:**  
AIR/MOISTURE BARRIER INSTALLER MUST PROVIDE WEATHER TIGHT SEAL AT ALL BARRIER TERMINATIONS

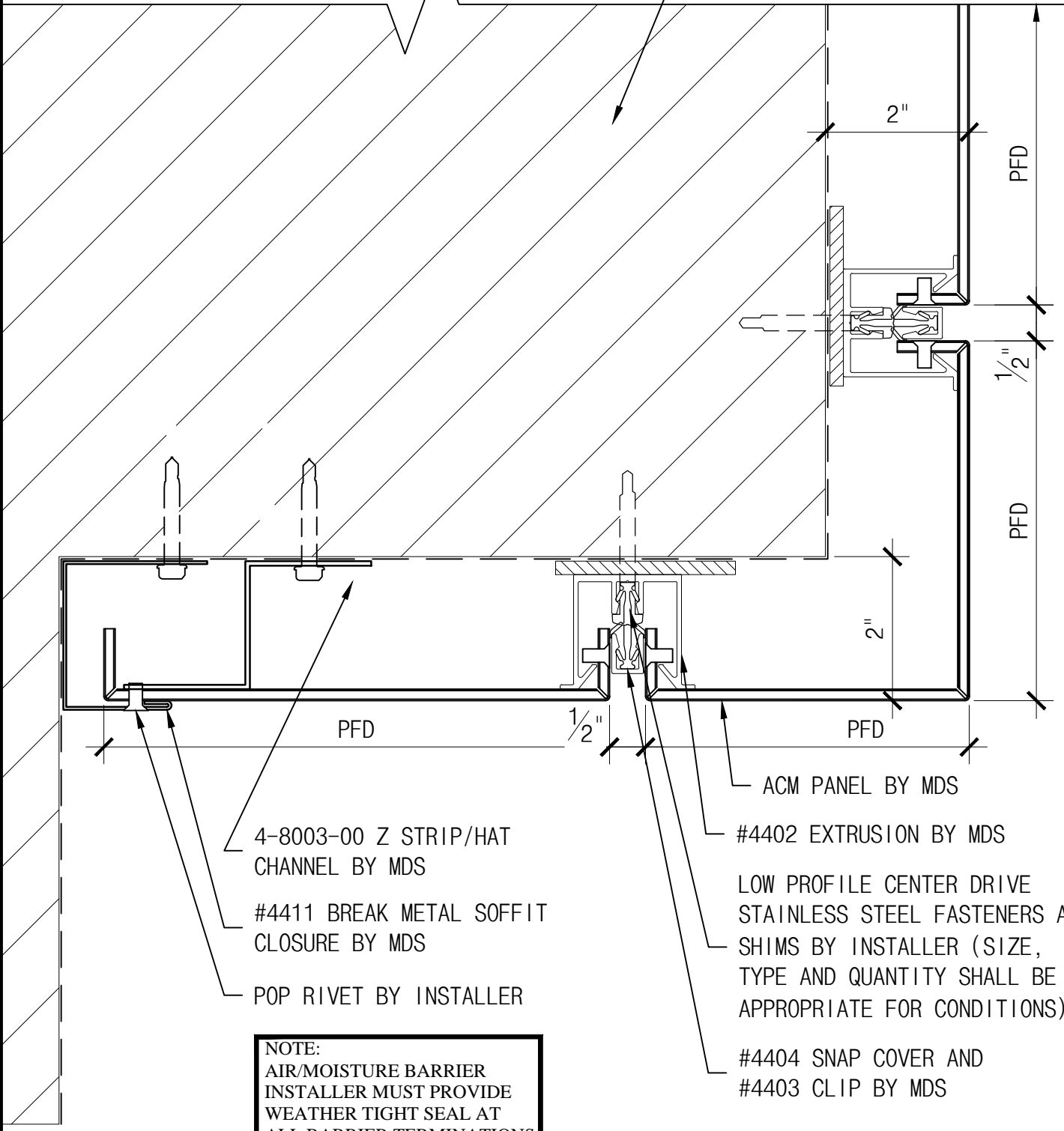
<p>THE INFORMATION CONTAINED IN THIS DRAWING IS THE SOLE PROPERTY OF METAL DESIGN SYSTEMS. ANY REPRODUCTION, IN PART OR WHOLE, WITHOUT THE WRITTEN PERMISSION OF METAL DESIGN SYSTEMS IS PROHIBITED.</p>	 <b>METAL DESIGN SYSTEMS</b> <small>DESIGNED FOR A PERFECT FIT.</small>	<b>METAL DESIGN SYSTEMS</b>		PROJECT <b>SERIES 44 DETAILS</b>			
		4150 C Street S.W. CEDAR RAPIDS, IA. 52404 Ph. (319) 362-7454		DRAWING DESCRIPTION <b>ACM COPING DETAIL</b>			
		MATERIAL		PROJECT NUMBER	DRAWING NUMBER <b>S44-ACM-11</b>	DATE <b>6.02.14</b>	
		SCALE <b>6" = 1'-0"</b>		DRAWN BY			



<p>THE INFORMATION CONTAINED IN THIS DRAWING IS THE SOLE PROPERTY OF METAL DESIGN SYSTEMS. ANY REPRODUCTION, IN PART OR WHOLE, WITHOUT THE WRITTEN PERMISSION OF METAL DESIGN SYSTEMS IS PROHIBITED.</p>	 <p><b>METAL DESIGN SYSTEMS</b> DESIGNED FOR A PERFECT FIT.</p>	<p><b>METAL DESIGN SYSTEMS</b></p>		<p>PROJECT <b>SERIES 44 DETAILS</b></p>			
		<p>4150 C Street S.W. CEDAR RAPIDS, IA. 52404 Ph. (319) 362-7454</p>		<p>DRAWING DESCRIPTION <b>ACM SOFFIT DETAIL W/ EXTRUSION</b></p>			
		<p>MATERIAL</p>		<p>PROJECT NUMBER</p>	<p>DRAWING NUMBER <b>S44-ACM-12A</b></p>	<p>DATE <b>6.02.14</b></p>	
		<p>SCALE <b>6" = 1'-0"</b></p>		<p>DRAWN BY</p>			



REFER TO CONTRACT DOCUMENTS  
FOR EXACT CONSTRUCTION DETAILS



- 4-8003-00 Z STRIP/HAT CHANNEL BY MDS
- #4411 BREAK METAL SOFFIT CLOSURE BY MDS
- POP RIVET BY INSTALLER

- ACM PANEL BY MDS
- #4402 EXTRUSION BY MDS
- LOW PROFILE CENTER DRIVE STAINLESS STEEL FASTENERS AND SHIMS BY INSTALLER (SIZE, TYPE AND QUANTITY SHALL BE APPROPRIATE FOR CONDITIONS)
- #4404 SNAP COVER AND #4403 CLIP BY MDS

**NOTE:**  
AIR/MOISTURE BARRIER  
INSTALLER MUST PROVIDE  
WEATHER TIGHT SEAL AT  
ALL BARRIER TERMINATIONS

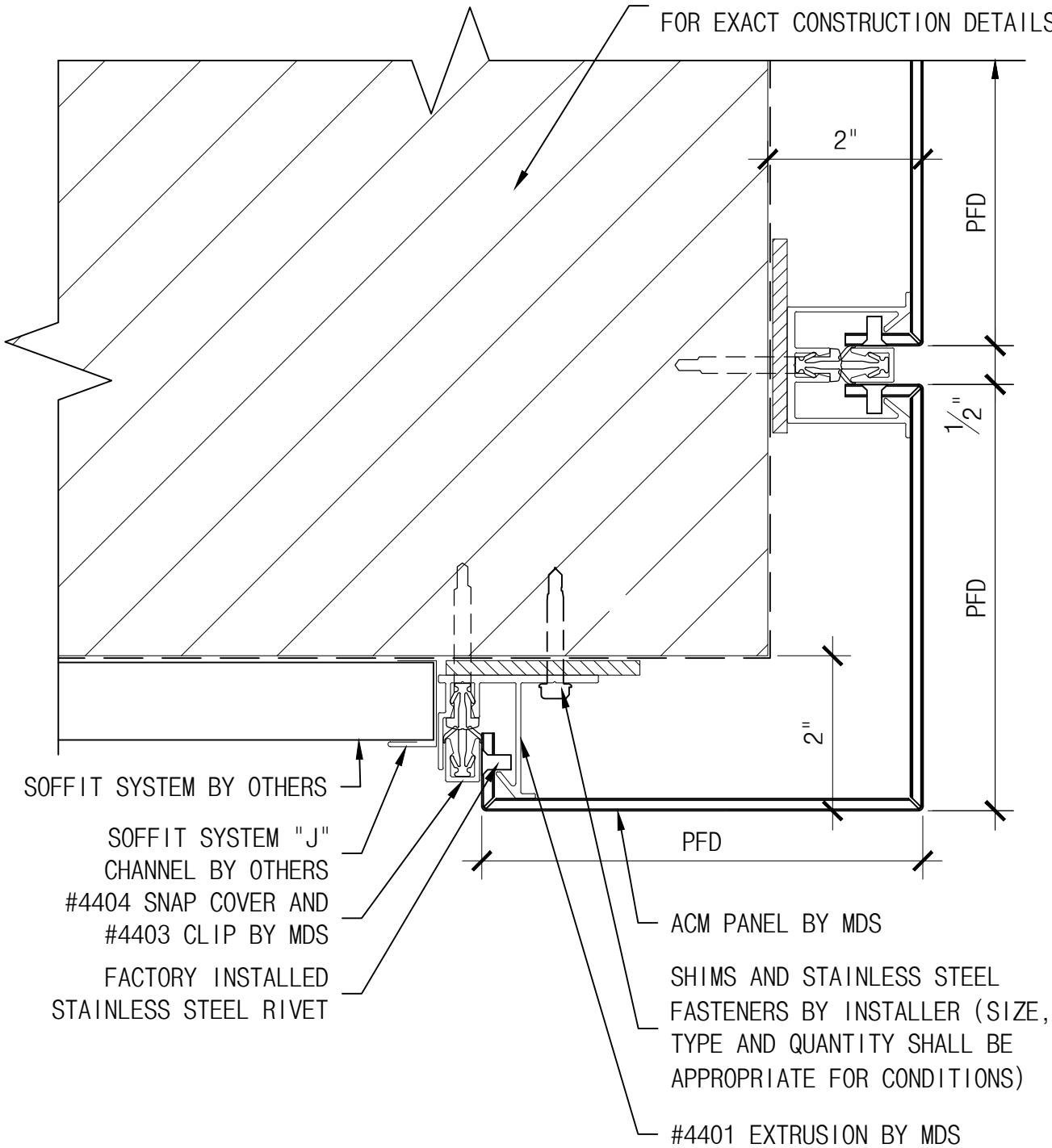
THE INFORMATION CONTAINED IN THIS DRAWING IS THE SOLE PROPERTY OF METAL DESIGN SYSTEMS. ANY REPRODUCTION, IN PART OR WHOLE, WITHOUT THE WRITTEN PERMISSION OF METAL DESIGN SYSTEMS IS PROHIBITED.




**METAL DESIGN SYSTEMS**  
4150 C Street S.W.  
CEDAR RAPIDS, IA. 52404  
Ph. (319) 362-7454

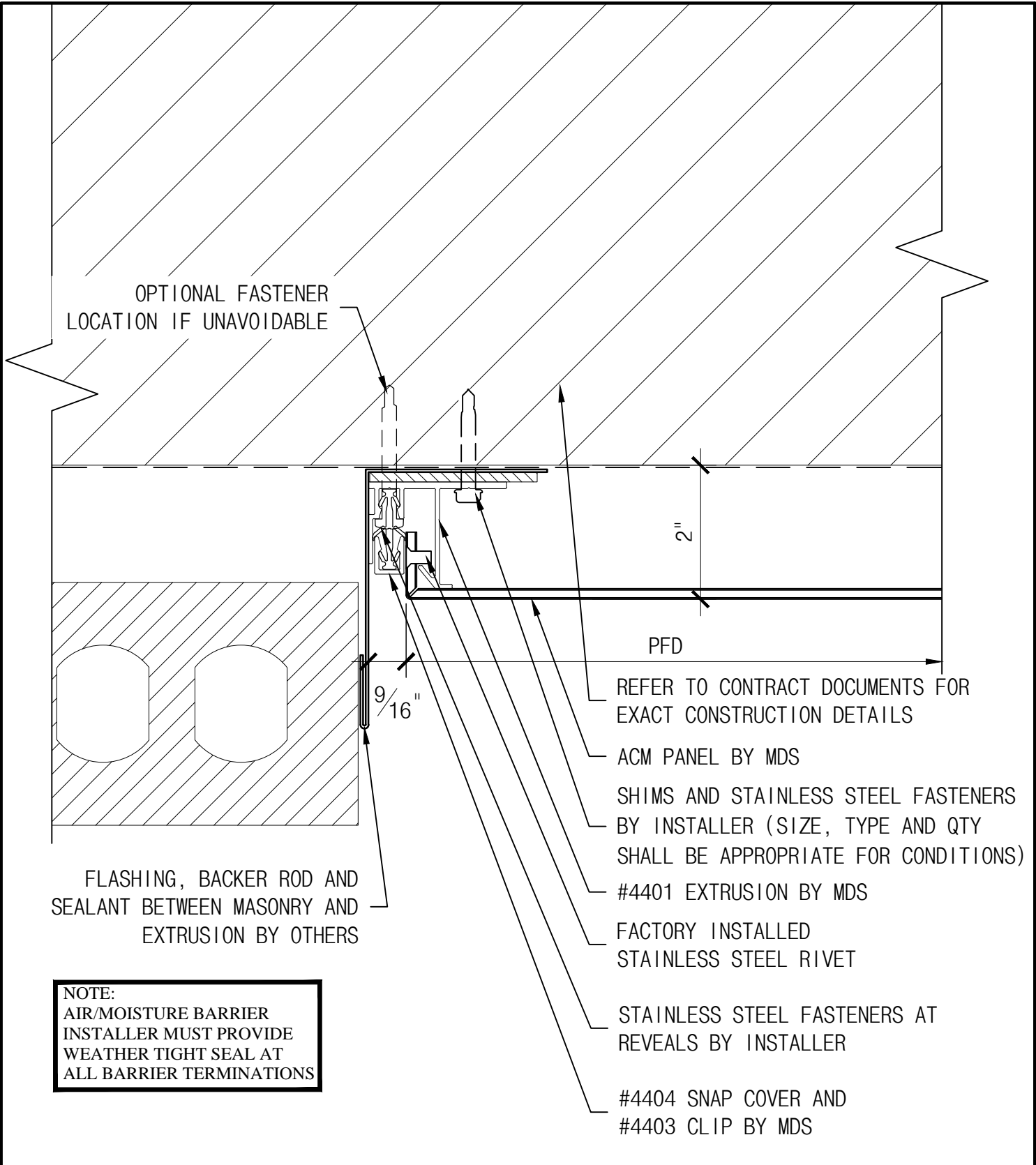
PROJECT <b>SERIES 44 DETAILS</b>		
DRAWING DESCRIPTION <b>ACM SOFFIT DETAIL W/ 'J' FLASHING</b>		
PROJECT NUMBER	DRAWING NUMBER <b>S44-ACM-12B</b>	DATE <b>6.02.14</b>
MATERIAL	SCALE <b>6" = 1'-0"</b>	DRAWN BY


REFER TO CONTRACT DOCUMENTS  
FOR EXACT CONSTRUCTION DETAILS

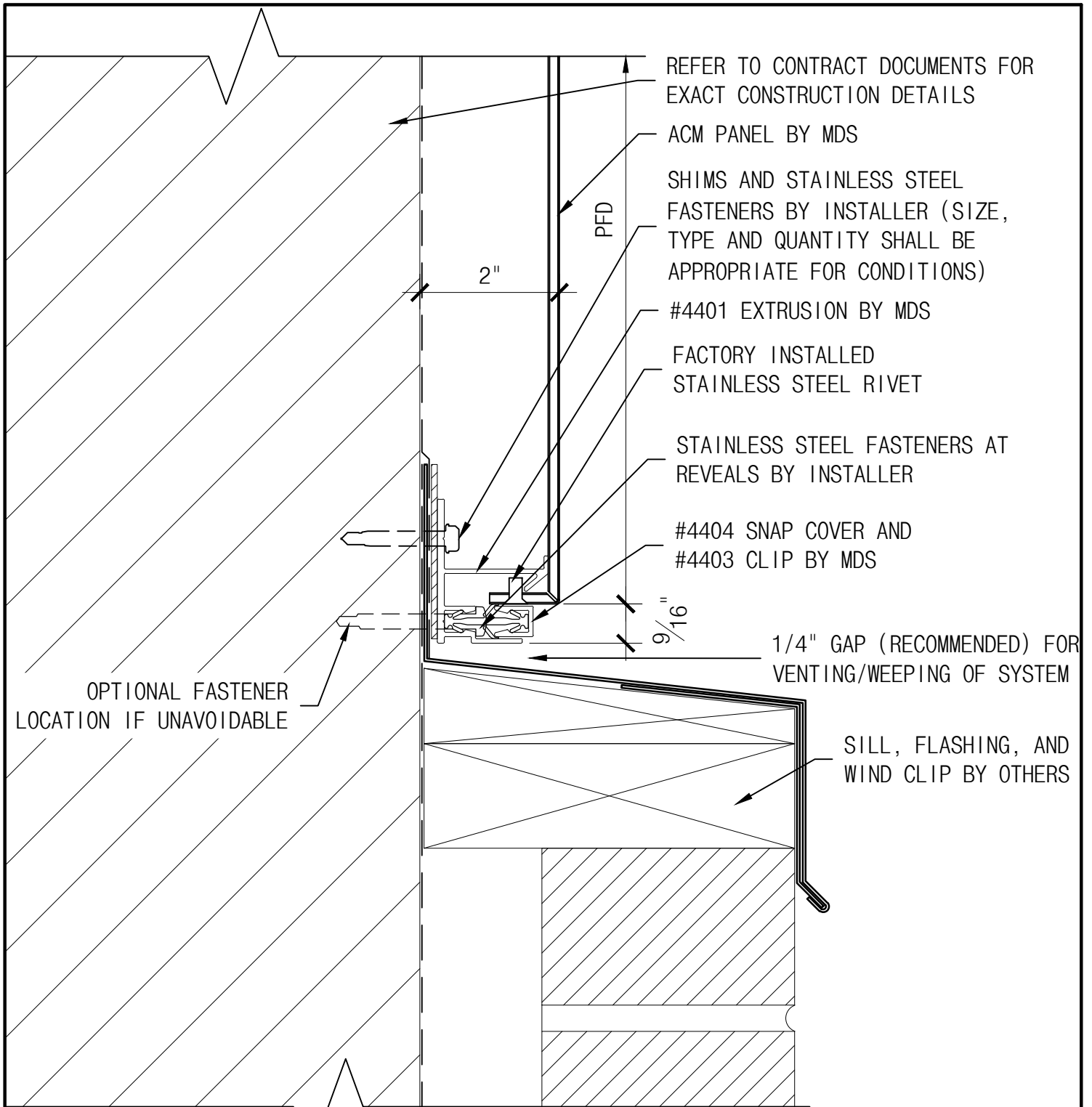


**NOTE:**  
AIR/MOISTURE BARRIER  
INSTALLER MUST PROVIDE  
WEATHER TIGHT SEAL AT  
ALL BARRIER TERMINATIONS

<p>THE INFORMATION CONTAINED IN THIS DRAWING IS THE SOLE PROPERTY OF METAL DESIGN SYSTEMS. ANY REPRODUCTION, IN PART OR WHOLE, WITHOUT THE WRITTEN PERMISSION OF METAL DESIGN SYSTEMS IS PROHIBITED.</p>	 <b>METAL DESIGN SYSTEMS</b> DESIGNED FOR A PERFECT FIT.	<b>METAL DESIGN SYSTEMS</b>		PROJECT <b>SERIES 44 DETAILS</b>			
		4150 C Street S.W. CEDAR RAPIDS, IA. 52404 Ph. (319) 362-7454		DRAWING DESCRIPTION <b>ALT. SOFFIT CONNECTION DETAIL</b>			
		MATERIAL		PROJECT NUMBER	DRAWING NUMBER <b>S44-ACM-13</b>	DATE <b>6.02.14</b>	
				SCALE <b>6" = 1'-0"</b>	DRAWN BY		



<p>THE INFORMATION CONTAINED IN THIS DRAWING IS THE SOLE PROPERTY OF METAL DESIGN SYSTEMS. ANY REPRODUCTION, IN PART OR WHOLE, WITHOUT THE WRITTEN PERMISSION OF METAL DESIGN SYSTEMS IS PROHIBITED.</p>	 <p><b>METAL DESIGN SYSTEMS</b> DESIGNED FOR A PERFECT FIT.</p>	<p><b>METAL DESIGN SYSTEMS</b></p>		<p>PROJECT <b>SERIES 44 DETAILS</b></p>			
		<p>4150 C Street S.W. CEDAR RAPIDS, IA. 52404 Ph. (319) 362-7454</p>		<p>DRAWING DESCRIPTION <b>PANEL TO MASONRY DETAIL</b></p>			
		<p>MATERIAL</p>		<p>PROJECT NUMBER</p>	<p>DRAWING NUMBER <b>S44-ACM-14</b></p>	<p>DATE <b>6.02.14</b></p>	
		<p>SCALE <b>6" = 1'-0"</b></p>		<p>DRAWN BY</p>			



**NOTE:**  
 AIR/MOISTURE BARRIER INSTALLER MUST PROVIDE WEATHER TIGHT SEAL AT ALL BARRIER TERMINATIONS

THE INFORMATION CONTAINED IN THIS DRAWING IS THE SOLE PROPERTY OF METAL DESIGN SYSTEMS. ANY REPRODUCTION, IN PART OR WHOLE, WITHOUT THE WRITTEN PERMISSION OF METAL DESIGN SYSTEMS IS PROHIBITED.



**METAL DESIGN SYSTEMS**  
 4150 C Street S.W.  
 CEDAR RAPIDS, IA. 52404  
 Ph. (319) 362-7454

PROJECT <b>SERIES 44 DETAILS</b>		
DRAWING DESCRIPTION <b>MASONRY SILL DETAIL</b>		
PROJECT NUMBER	DRAWING NUMBER <b>S44-ACM-15</b>	DATE <b>6.02.14</b>
MATERIAL	SCALE <b>6" = 1'-0"</b>	DRAWN BY

OVERHEAD DOOR SYSTEM AND ALL  
RELATED FLASHING, BLOCKING,  
AND SEALANTS BY OTHERS

SEALANT BY INSTALLER  
#3004 EXTRUSION BY MDS  
SHIMS AND STAINLESS  
STEEL FASTENERS BY  
INSTALLER (SIZE, TYPE  
AND QUANTITY TO BE  
APPROPRIATE FOR  
CONDITIONS)  
FLAT ACM  
(OR BRAKE METAL)  
BY MDS  
REFER TO CONTRACT  
DOCUMENTS FOR EXACT  
CONSTRUCTION DETAILS  
9/16"  
#4404 SNAP COVER AND  
#4403 CLIP BY MDS  
FACTORY INSTALLED  
STAINLESS STEEL RIVET

2"  
PFD  
SHIMS AND STAINLESS STEEL FASTENERS  
BY INSTALLER (SIZE, TYPE AND QUANTITY  
SHALL BE APPROPRIATE FOR CONDITIONS)  
ACM PANEL BY MDS  
#4409 EXTRUSION BY MDS

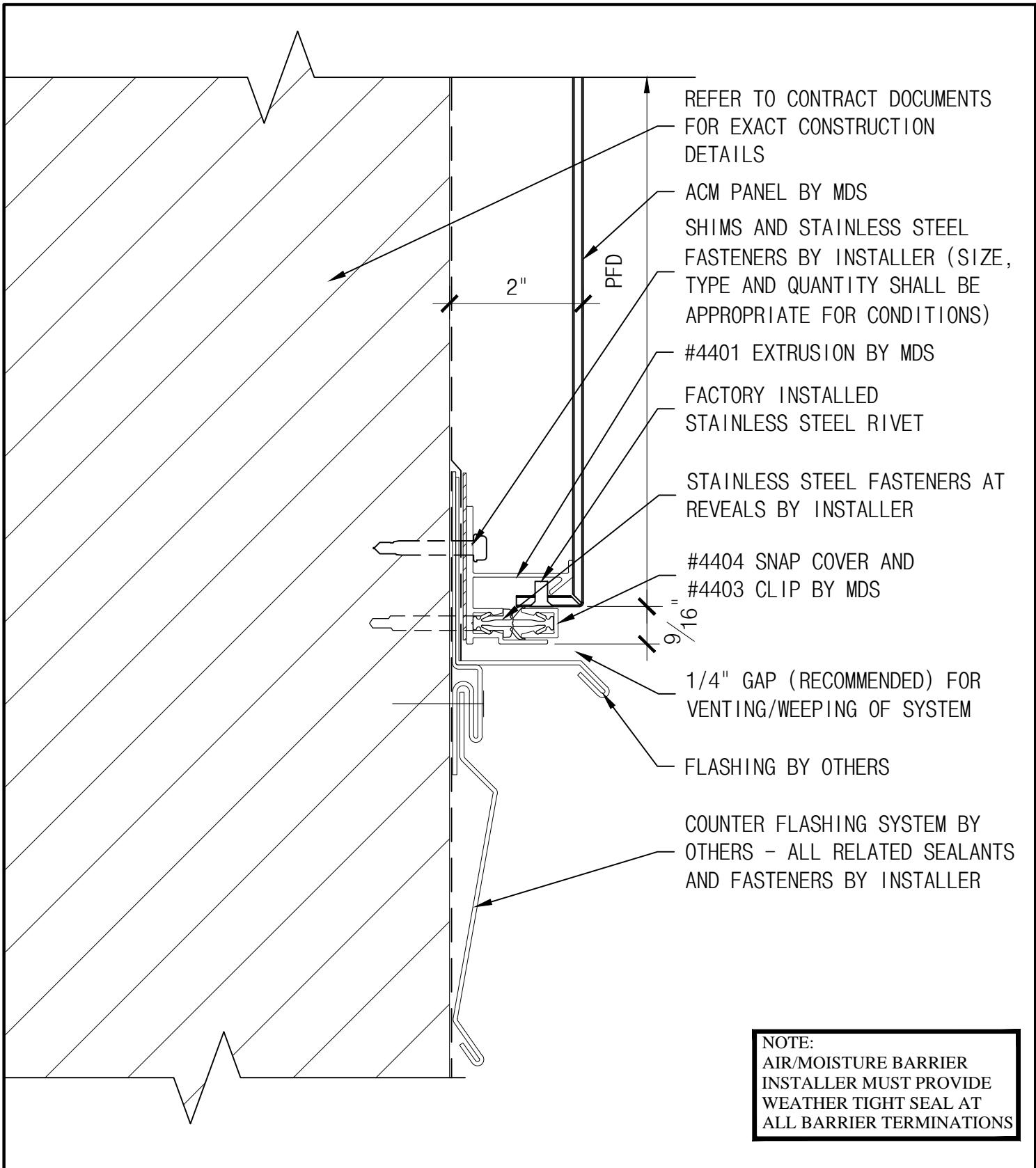
**NOTE:**  
AIR/MOISTURE BARRIER  
INSTALLER MUST PROVIDE  
WEATHER TIGHT SEAL AT  
ALL BARRIER TERMINATIONS


THE INFORMATION CONTAINED IN THIS  
DRAWING IS THE SOLE PROPERTY OF  
METAL DESIGN SYSTEMS. ANY  
REPRODUCTION, IN PART OR WHOLE,  
WITHOUT THE WRITTEN PERMISSION OF  
METAL DESIGN SYSTEMS IS PROHIBITED.



**METAL DESIGN SYSTEMS**  
4150 C Street S.W.  
CEDAR RAPIDS, IA. 52404  
Ph. (319) 362-7454

PROJECT <b>SERIES 44 DETAILS</b>		
DRAWING DESCRIPTION <b>OVERHEAD DOOR JAMB</b>		
PROJECT NUMBER	DRAWING NUMBER <b>S44-ACM-16</b>	DATE <b>6.02.14</b>
MATERIAL	SCALE <b>6" = 1'-0"</b>	DRAWN BY



<p>THE INFORMATION CONTAINED IN THIS DRAWING IS THE SOLE PROPERTY OF METAL DESIGN SYSTEMS. ANY REPRODUCTION, IN PART OR WHOLE, WITHOUT THE WRITTEN PERMISSION OF METAL DESIGN SYSTEMS IS PROHIBITED.</p>	 <p><b>METAL DESIGN SYSTEMS</b> DESIGNED FOR A PERFECT FIT.</p>	<p><b>METAL DESIGN SYSTEMS</b></p>		<p>PROJECT <b>SERIES 44 DETAILS</b></p>			
		<p>4150 C Street S.W. CEDAR RAPIDS, IA. 52404 Ph. (319) 362-7454</p>		<p>DRAWING DESCRIPTION <b>PANEL TERM. ABOVE ROOF</b></p>			
		<p>MATERIAL</p>		<p>PROJECT NUMBER</p>	<p>DRAWING NUMBER <b>S44-ACM-17</b></p>	<p>DATE <b>6.02.14</b></p>	
		<p>SCALE <b>6" = 1'-0"</b></p>		<p>DRAWN BY</p>			