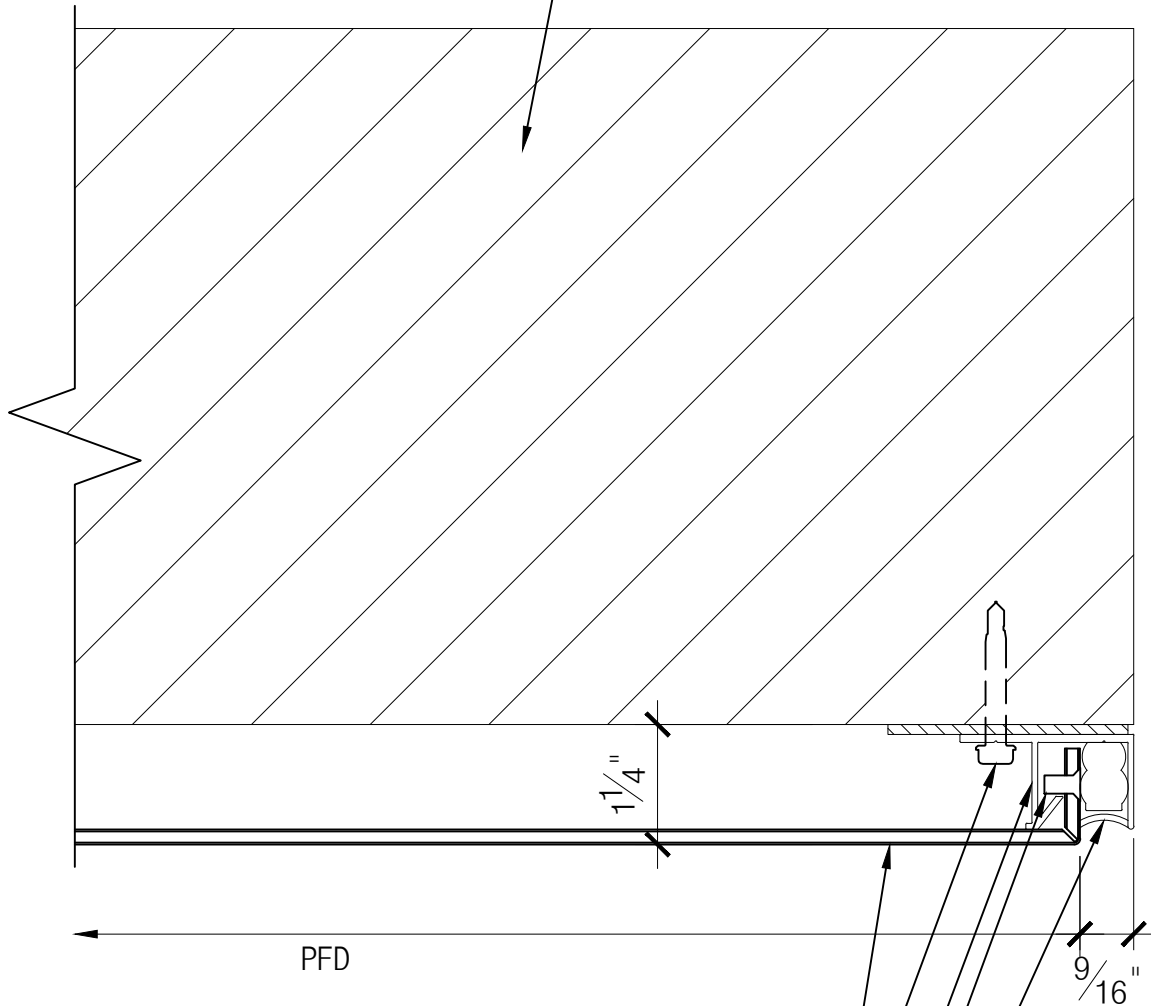


REFER TO CONTRACT DOCUMENTS FOR EXACT CONSTRUCTION DETAILS



ACM PANEL BY MDS

SHIMS AND APPROVED FASTENERS BY INSTALLER (SIZE, TYPE AND QUANTITY TO BE APPROPRIATE FOR CONDITIONS)

#4001 EXTRUSION BY MDS

FACTORY INSTALLED STAINLESS STEEL RIVET

SILICONE SEALANT BY OTHERS OVER POLYETHYLENE WEDGE BY MDS

NOTE:
AIR/MOISTURE BARRIER INSTALLER MUST PROVIDE WEATHER TIGHT SEAL AT ALL BARRIER TERMINATIONS

THE INFORMATION CONTAINED IN THIS DRAWING IS THE SOLE PROPERTY OF METAL DESIGN SYSTEMS. ANY REPRODUCTION, IN PART OR WHOLE, WITHOUT THE WRITTEN PERMISSION OF METAL DESIGN SYSTEMS IS PROHIBITED.



METAL DESIGN SYSTEMS
4150 C Street S.W.
CEDAR RAPIDS, IA. 52404
Ph. (319) 362-7454

PROJECT
SERIES 40 DETAILS

DRAWING DESCRIPTION
#4001 TERMINATION DETAIL

PROJECT NUMBER	DRAWING NUMBER S40-ACM-01A	DATE 6.02.14
----------------	--------------------------------------	------------------------

SCALE 6" = 1'-0"	DRAWN BY
----------------------------	----------

MATERIAL

REFER TO CONTRACT DOCUMENTS FOR EXACT CONSTRUCTION DETAILS

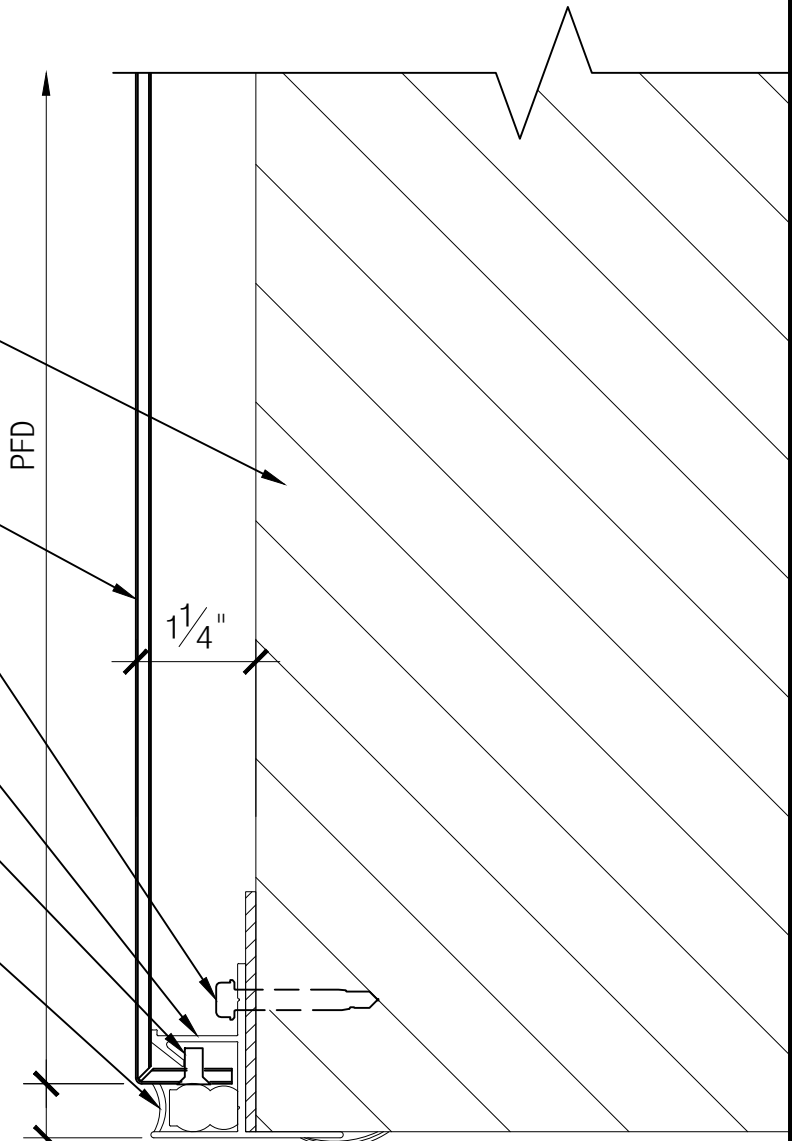
ACM PANEL BY MDS

SHIMS AND APPROVED FASTENERS BY INSTALLER (SIZE, TYPE AND QUANTITY TO BE APPROPRIATE FOR CONDITIONS)

#4008 EXTRUSION BY MDS

FACTORY INSTALLED STAINLESS STEEL RIVET

SILICONE SEALANT BY OTHERS OVER POLYETHYLENE WEDGE BY MDS



SILICONE SEALANT BY OTHERS

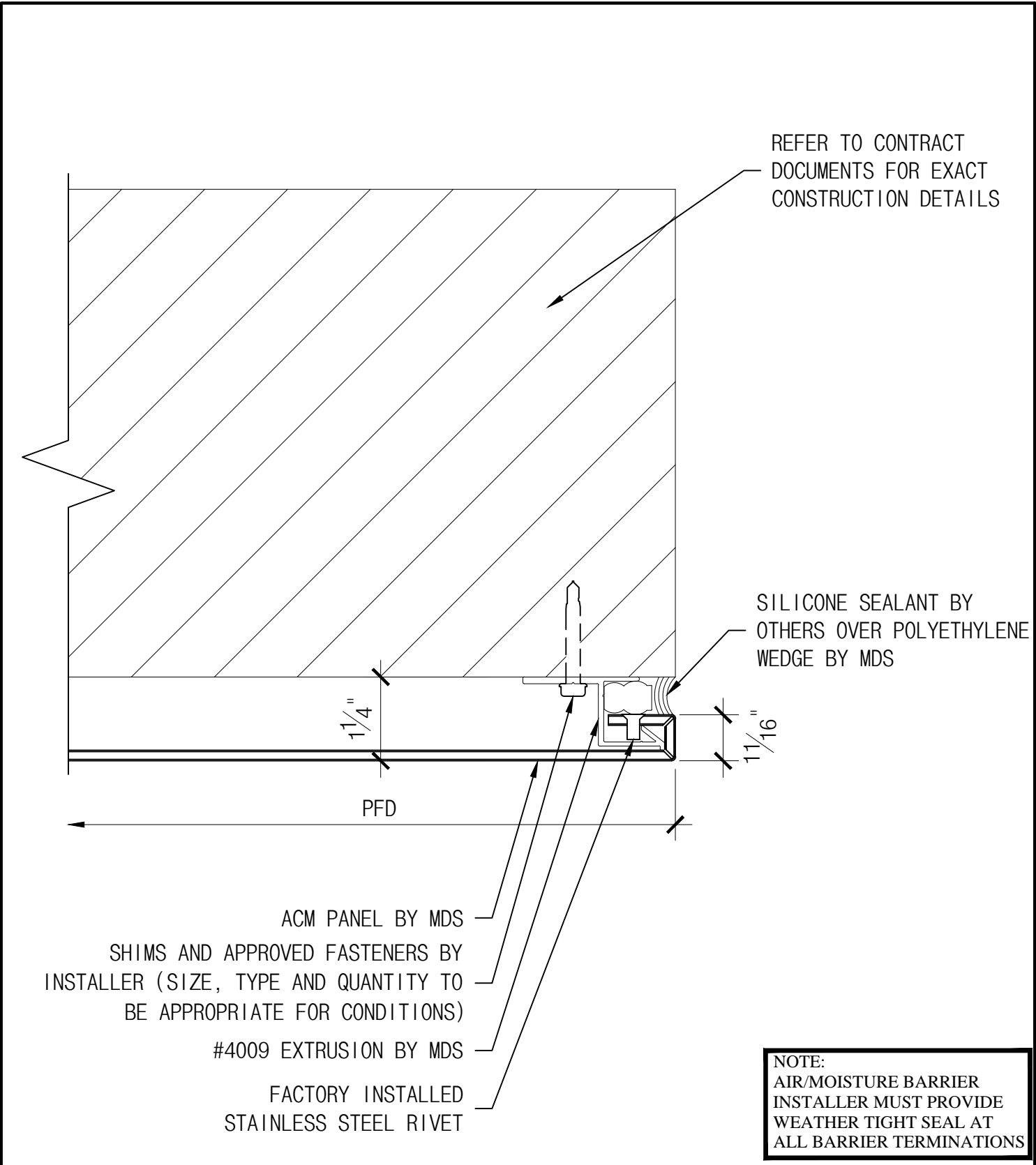
NOTE:
AIR/MOISTURE BARRIER
INSTALLER MUST PROVIDE
WEATHER TIGHT SEAL AT
ALL BARRIER TERMINATIONS


THE INFORMATION CONTAINED IN THIS DRAWING IS THE SOLE PROPERTY OF METAL DESIGN SYSTEMS. ANY REPRODUCTION, IN PART OR WHOLE, WITHOUT THE WRITTEN PERMISSION OF METAL DESIGN SYSTEMS IS PROHIBITED.

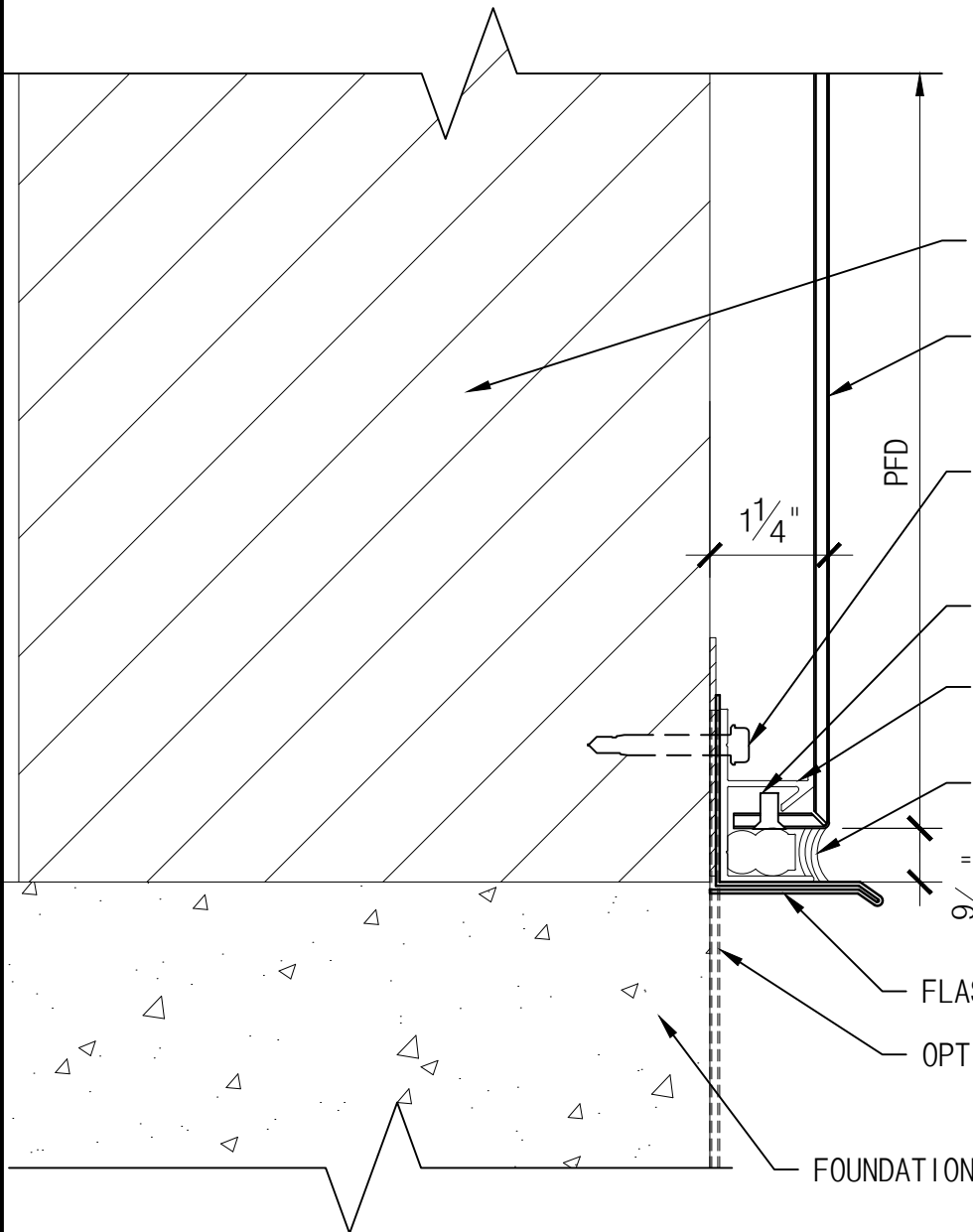


METAL DESIGN SYSTEMS
4150 C Street S.W.
CEDAR RAPIDS, IA. 52404
Ph. (319) 362-7454

PROJECT SERIES 40 DETAILS		
DRAWING DESCRIPTION #4008 SOFFIT TERMINATION DETAIL		
PROJECT NUMBER	DRAWING NUMBER S40-ACM-01B	DATE 6.02.14
MATERIAL	SCALE 6" = 1'-0"	DRAWN BY



<p>THE INFORMATION CONTAINED IN THIS DRAWING IS THE SOLE PROPERTY OF METAL DESIGN SYSTEMS. ANY REPRODUCTION, IN PART OR WHOLE, WITHOUT THE WRITTEN PERMISSION OF METAL DESIGN SYSTEMS IS PROHIBITED.</p>	 <p>METAL DESIGN SYSTEMS DESIGNED FOR A PERFECT FIT.</p>	<p>METAL DESIGN SYSTEMS</p>		<p>PROJECT SERIES 40 DETAILS</p>		
		<p>4150 C Street S.W. CEDAR RAPIDS, IA. 52404 Ph. (319) 362-7454</p>		<p>DRAWING DESCRIPTION #4009 TERMINATION DETAIL</p>		
		<p>MATERIAL</p>		<p>PROJECT NUMBER</p>	<p>DRAWING NUMBER S40-ACM-01C</p>	<p>DATE 6.02.14</p>
		<p>6" = 1'-0"</p>		<p>SCALE</p>		<p>DRAWN BY</p>



REFER TO CONTRACT DOCUMENTS FOR EXACT CONSTRUCTION DETAILS

ACM PANEL BY MDS

SHIMS AND APPROVED FASTENERS BY INSTALLER (SIZE, TYPE AND QUANTITY TO BE APPROPRIATE FOR CONDITIONS)

FACTORY INSTALLED STAINLESS STEEL RIVET

#4001 EXTRUSION BY MDS

SILICONE SEALANT BY OTHERS OVER POLYETHYLENE WEDGE BY MDS

FLASHING BY OTHERS

OPTIONAL ACM KICK PLATE BY MDS

FOUNDATION

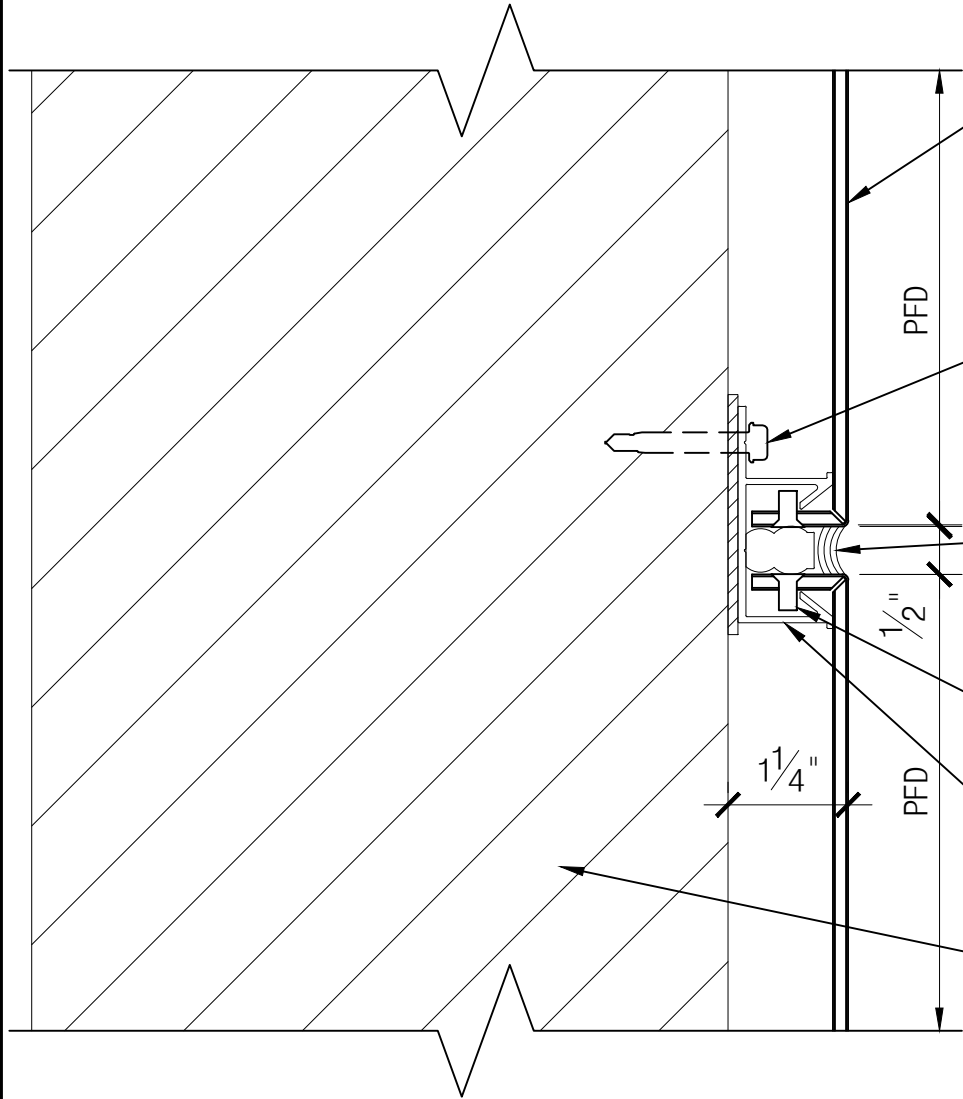
NOTE:
AIR/MOISTURE BARRIER INSTALLER MUST PROVIDE WEATHER TIGHT SEAL AT ALL BARRIER TERMINATIONS

THE INFORMATION CONTAINED IN THIS DRAWING IS THE SOLE PROPERTY OF METAL DESIGN SYSTEMS. ANY REPRODUCTION, IN PART OR WHOLE, WITHOUT THE WRITTEN PERMISSION OF METAL DESIGN SYSTEMS IS PROHIBITED.



METAL DESIGN SYSTEMS
4150 C Street S.W.
CEDAR RAPIDS, IA. 52404
Ph. (319) 362-7454

PROJECT SERIES 40 DETAILS		
DRAWING DESCRIPTION TERM. AT FOUNDATION DETAIL (TYP.)		
PROJECT NUMBER	DRAWING NUMBER S40-ACM-02	DATE 6.02.14
MATERIAL	SCALE 6" = 1'-0"	DRAWN BY



ACM PANEL BY MDS

SHIMS AND APPROVED FASTENERS BY INSTALLER (SIZE, TYPE AND QUANTITY TO BE APPROPRIATE FOR CONDITIONS)


SILICONE SEALANT BY OTHERS OVER POLYETHYLENE WEDGE BY MDS

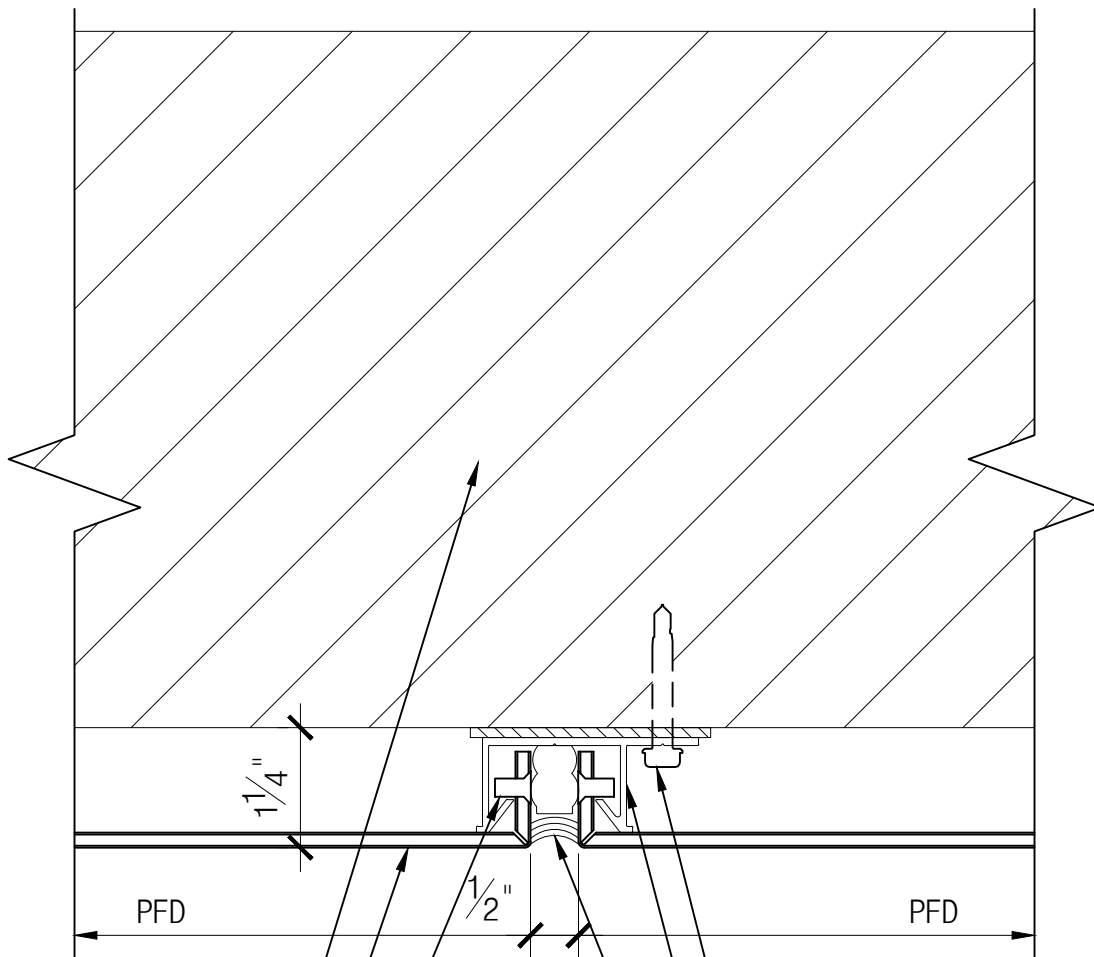
FACTORY INSTALLED STAINLESS STEEL RIVET

#4002 EXTRUSION BY MDS

REFER TO CONTRACT DOCUMENTS FOR EXACT CONSTRUCTION DETAILS

NOTE:
AIR/MOISTURE BARRIER INSTALLER MUST PROVIDE WEATHER TIGHT SEAL AT ALL BARRIER TERMINATIONS

<p>THE INFORMATION CONTAINED IN THIS DRAWING IS THE SOLE PROPERTY OF METAL DESIGN SYSTEMS. ANY REPRODUCTION, IN PART OR WHOLE, WITHOUT THE WRITTEN PERMISSION OF METAL DESIGN SYSTEMS IS PROHIBITED.</p>	 METAL DESIGN SYSTEMS <small>DESIGNED FOR A PERFECT FIT.</small>	METAL DESIGN SYSTEMS		PROJECT SERIES 40 DETAILS		
		4150 C Street S.W. CEDAR RAPIDS, IA. 52404 Ph. (319) 362-7454		DRAWING DESCRIPTION HORIZONTAL PANEL JOINT DETAIL (TYP.)		
		MATERIAL		PROJECT NUMBER	DRAWING NUMBER S40-ACM-03	DATE 6.02.14
		SCALE 6" = 1'-0"		DRAWN BY		



REFER TO CONTRACT DOCUMENTS FOR EXACT CONSTRUCTION DETAILS

ACM PANEL BY MDS


FACTORY INSTALLED STAINLESS STEEL RIVET

SHIMS AND APPROVED FASTENERS BY INSTALLER (SIZE, TYPE AND QUANTITY TO BE APPROPRIATE FOR CONDITIONS)

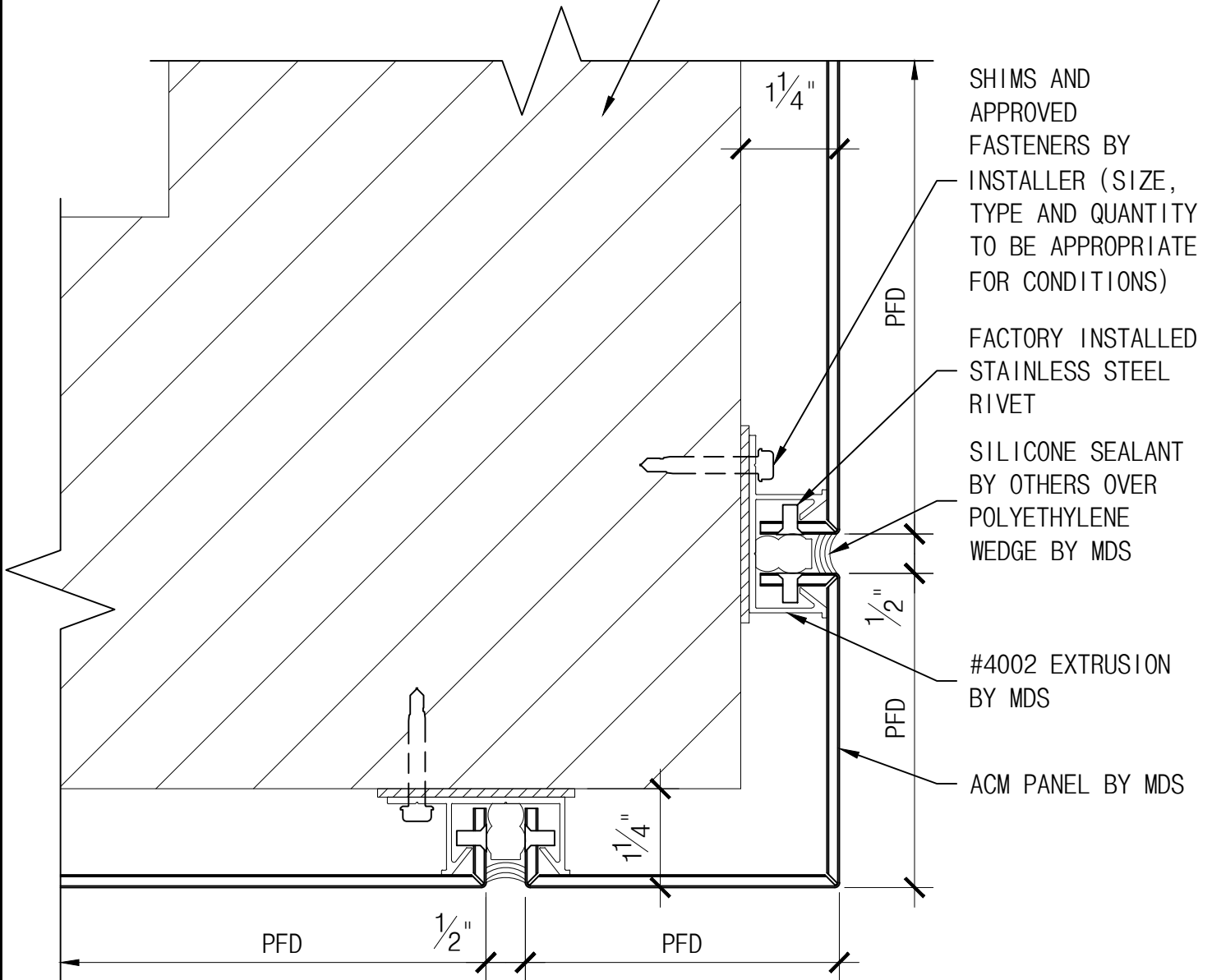
#4002 EXTRUSION BY MDS

SILICONE SEALANT BY OTHERS OVER POLYETHYLENE WEDGE BY MDS


NOTE:
AIR/MOISTURE BARRIER INSTALLER MUST PROVIDE WEATHER TIGHT SEAL AT ALL BARRIER TERMINATIONS

<p>THE INFORMATION CONTAINED IN THIS DRAWING IS THE SOLE PROPERTY OF METAL DESIGN SYSTEMS. ANY REPRODUCTION, IN PART OR WHOLE, WITHOUT THE WRITTEN PERMISSION OF METAL DESIGN SYSTEMS IS PROHIBITED.</p>	 METAL DESIGN SYSTEMS DESIGNED FOR A PERFECT FIT.	METAL DESIGN SYSTEMS		PROJECT SERIES 40 DETAILS			
		4150 C Street S.W. CEDAR RAPIDS, IA. 52404 Ph. (319) 362-7454		DRAWING DESCRIPTION VERTICAL PANEL JOINT DETAIL (TYP.)			
		MATERIAL		PROJECT NUMBER	DRAWING NUMBER S40-ACM-04	DATE 6.02.14	
				SCALE 6" = 1'-0"	DRAWN BY		

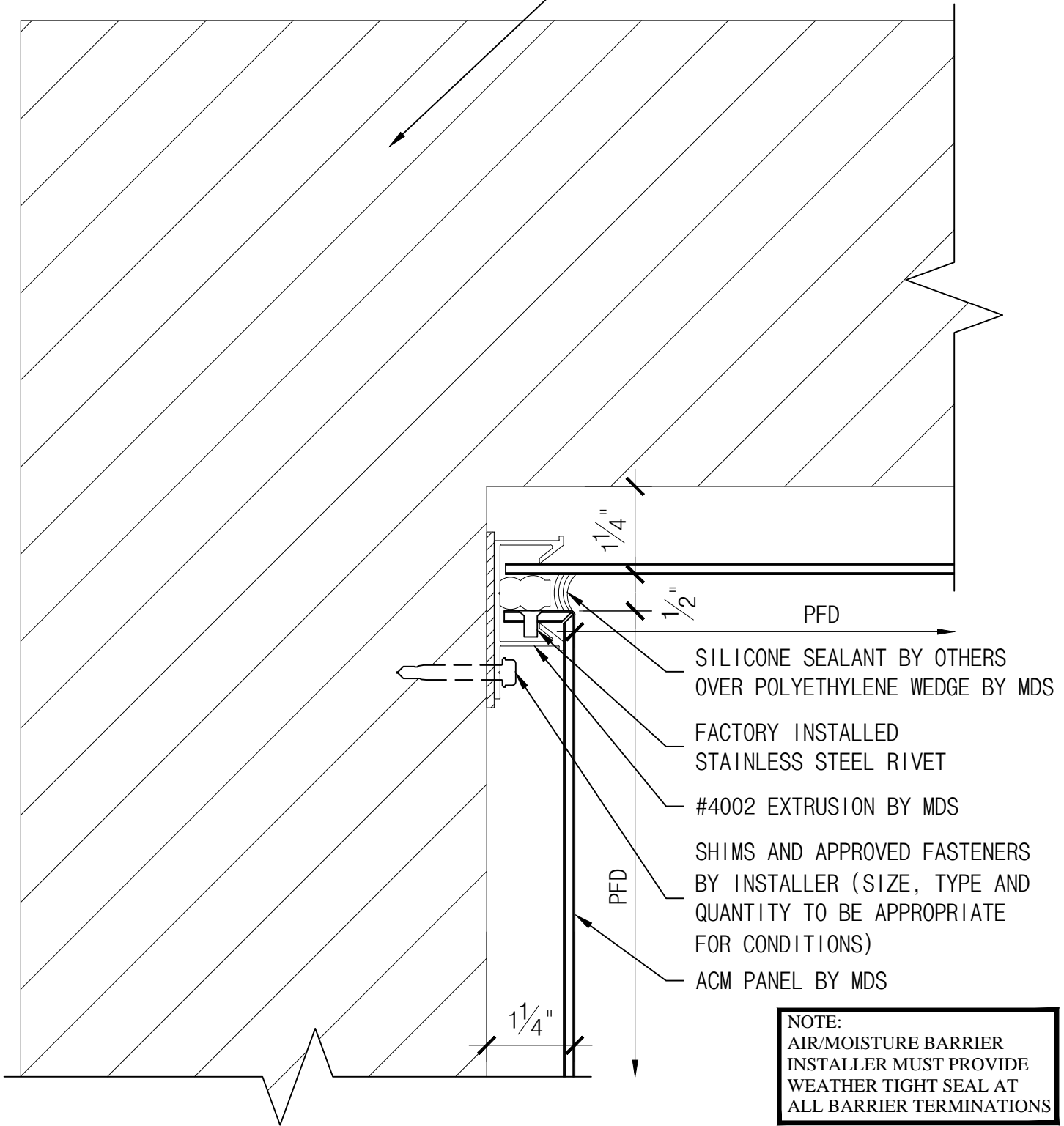
REFER TO CONTRACT DOCUMENTS FOR EXACT CONSTRUCTION DETAILS



NOTE:
AIR/MOISTURE BARRIER
INSTALLER MUST PROVIDE
WEATHER TIGHT SEAL AT
ALL BARRIER TERMINATIONS

<p>THE INFORMATION CONTAINED IN THIS DRAWING IS THE SOLE PROPERTY OF METAL DESIGN SYSTEMS. ANY REPRODUCTION, IN PART OR WHOLE, WITHOUT THE WRITTEN PERMISSION OF METAL DESIGN SYSTEMS IS PROHIBITED.</p>	 <p>METAL DESIGN SYSTEMS DESIGNED FOR A PERFECT FIT.</p>	<p>METAL DESIGN SYSTEMS 4150 C Street S.W. CEDAR RAPIDS, IA. 52404 Ph. (319) 362-7454</p>	<p>PROJECT SERIES 40 DETAILS</p>				
			<p>DRAWING DESCRIPTION OUTSIDE CORNER DETAIL (TYP.)</p>				
			<p>PROJECT NUMBER</p>	<p>DRAWING NUMBER S40-ACM-05</p>	<p>DATE 6.02.14</p>		
			<p>MATERIAL</p>	<p>SCALE 6" = 1'-0"</p>	<p>DRAWN BY</p>		

REFER TO CONTRACT DOCUMENTS FOR EXACT CONSTRUCTION DETAILS



NOTE:
AIR/MOISTURE BARRIER
INSTALLER MUST PROVIDE
WEATHER TIGHT SEAL AT
ALL BARRIER TERMINATIONS

THE INFORMATION CONTAINED IN THIS DRAWING IS THE SOLE PROPERTY OF METAL DESIGN SYSTEMS. ANY REPRODUCTION, IN PART OR WHOLE, WITHOUT THE WRITTEN PERMISSION OF METAL DESIGN SYSTEMS IS PROHIBITED.

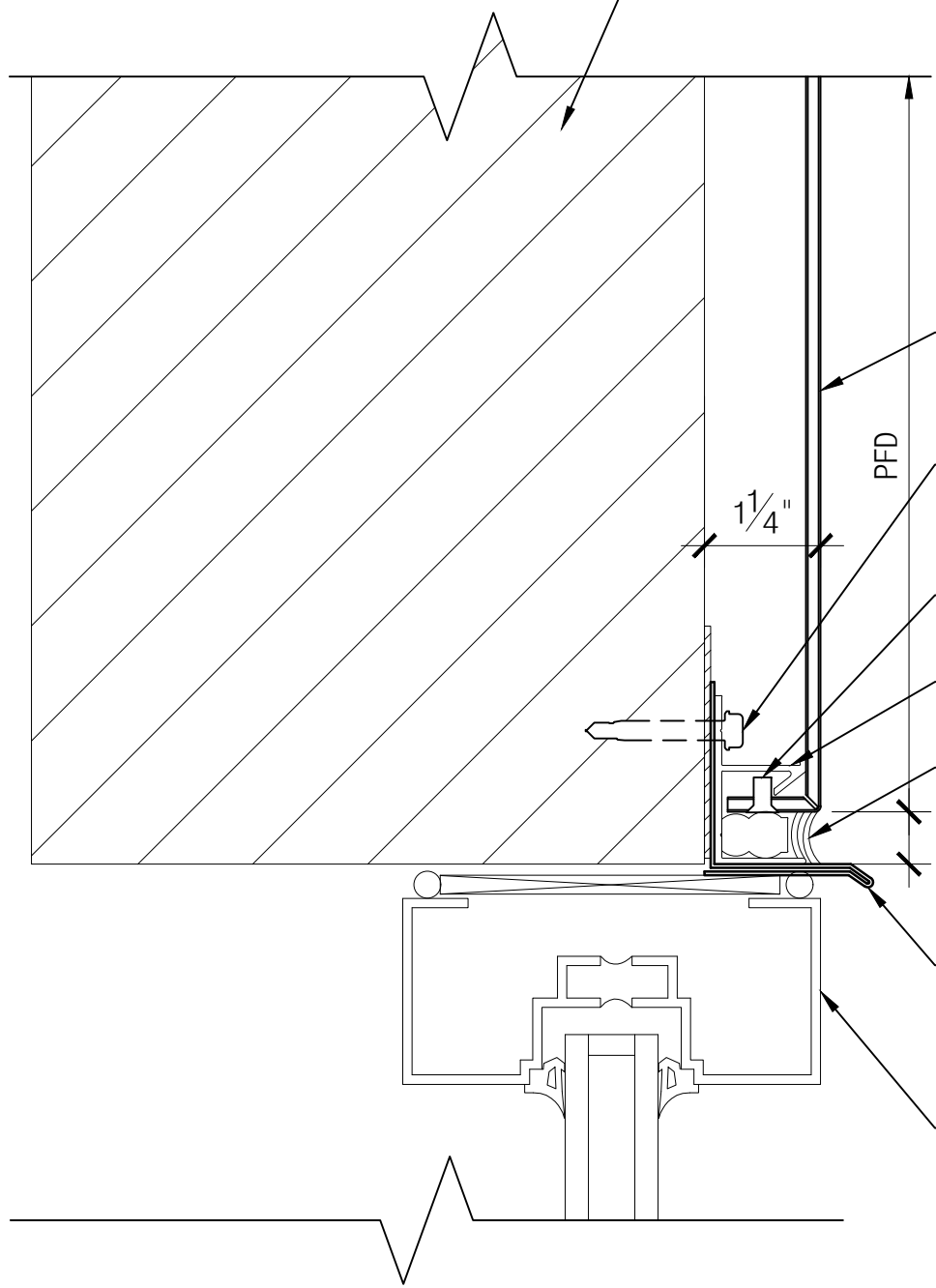


METAL DESIGN SYSTEMS
4150 C Street S.W.
CEDAR RAPIDS, IA. 52404
Ph. (319) 362-7454

PROJECT		
SERIES 40 DETAILS		
DRAWING DESCRIPTION		
#4002 INSIDE CORNER DETAIL (TYP.)		
PROJECT NUMBER	DRAWING NUMBER	DATE
	S40-ACM-06	6.02.14
SCALE	DRAWN BY	
6" = 1'-0"		

MATERIAL

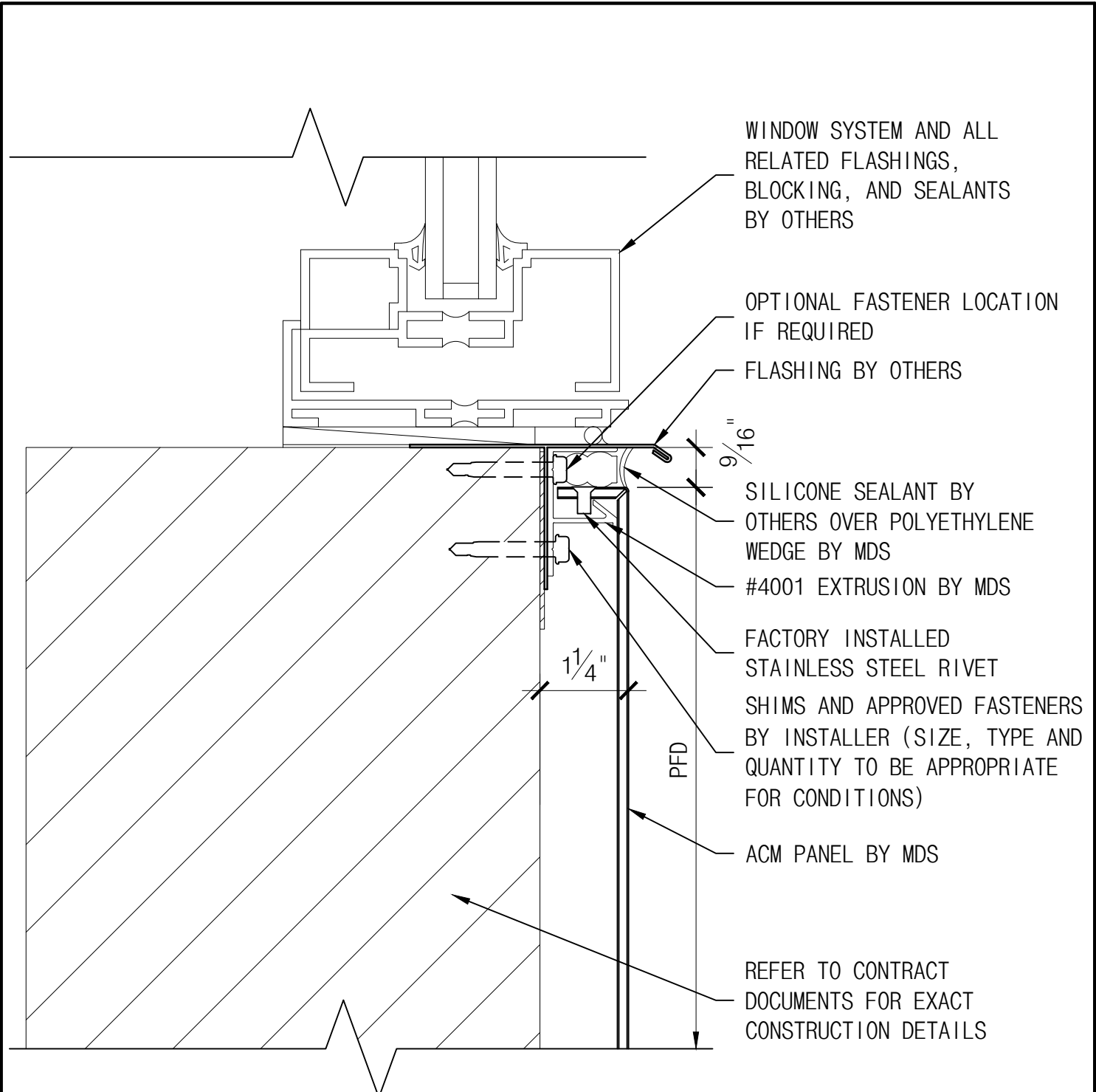
REFER TO CONTRACT DOCUMENTS FOR EXACT CONSTRUCTION DETAILS



- ACM PANEL BY MDS
- SHIMS AND APPROVED FASTENERS BY INSTALLER (SIZE, TYPE AND QUANTITY TO BE APPROPRIATE FOR CONDITIONS)
- FACTORY INSTALLED STAINLESS STEEL RIVET
- #4001 EXTRUSION BY MDS
- SILICONE SEALANT BY OTHERS OVER POLYETHYLENE WEDGE BY MDS
- FLASHING BY OTHERS
- WINDOW/DOOR SYSTEM AND ALL RELATED FLASHINGS, BLOCKING, AND SEALANTS BY OTHERS

NOTE:
AIR/MOISTURE BARRIER INSTALLER MUST PROVIDE WEATHER TIGHT SEAL AT ALL BARRIER TERMINATIONS

<p>THE INFORMATION CONTAINED IN THIS DRAWING IS THE SOLE PROPERTY OF METAL DESIGN SYSTEMS. ANY REPRODUCTION, IN PART OR WHOLE, WITHOUT THE WRITTEN PERMISSION OF METAL DESIGN SYSTEMS IS PROHIBITED.</p>	 METAL DESIGN SYSTEMS <small>DESIGNED FOR A PERFECT FIT.</small>	METAL DESIGN SYSTEMS		PROJECT SERIES 40 DETAILS			
		4150 C Street S.W. CEDAR RAPIDS, IA. 52404 Ph. (319) 362-7454		DRAWING DESCRIPTION WINDOW/DOOR HEAD DETAIL (TYP.)			
		MATERIAL		PROJECT NUMBER	DRAWING NUMBER S40-ACM-07	DATE 6.02.14	
				SCALE 6" = 1'-0"	DRAWN BY		



WINDOW SYSTEM AND ALL RELATED FLASHINGS, BLOCKING, AND SEALANTS BY OTHERS

OPTIONAL FASTENER LOCATION IF REQUIRED

FLASHING BY OTHERS

SILICONE SEALANT BY OTHERS OVER POLYETHYLENE WEDGE BY MDS

#4001 EXTRUSION BY MDS

FACTORY INSTALLED STAINLESS STEEL RIVET

SHIMS AND APPROVED FASTENERS BY INSTALLER (SIZE, TYPE AND QUANTITY TO BE APPROPRIATE FOR CONDITIONS)

ACM PANEL BY MDS

REFER TO CONTRACT DOCUMENTS FOR EXACT CONSTRUCTION DETAILS

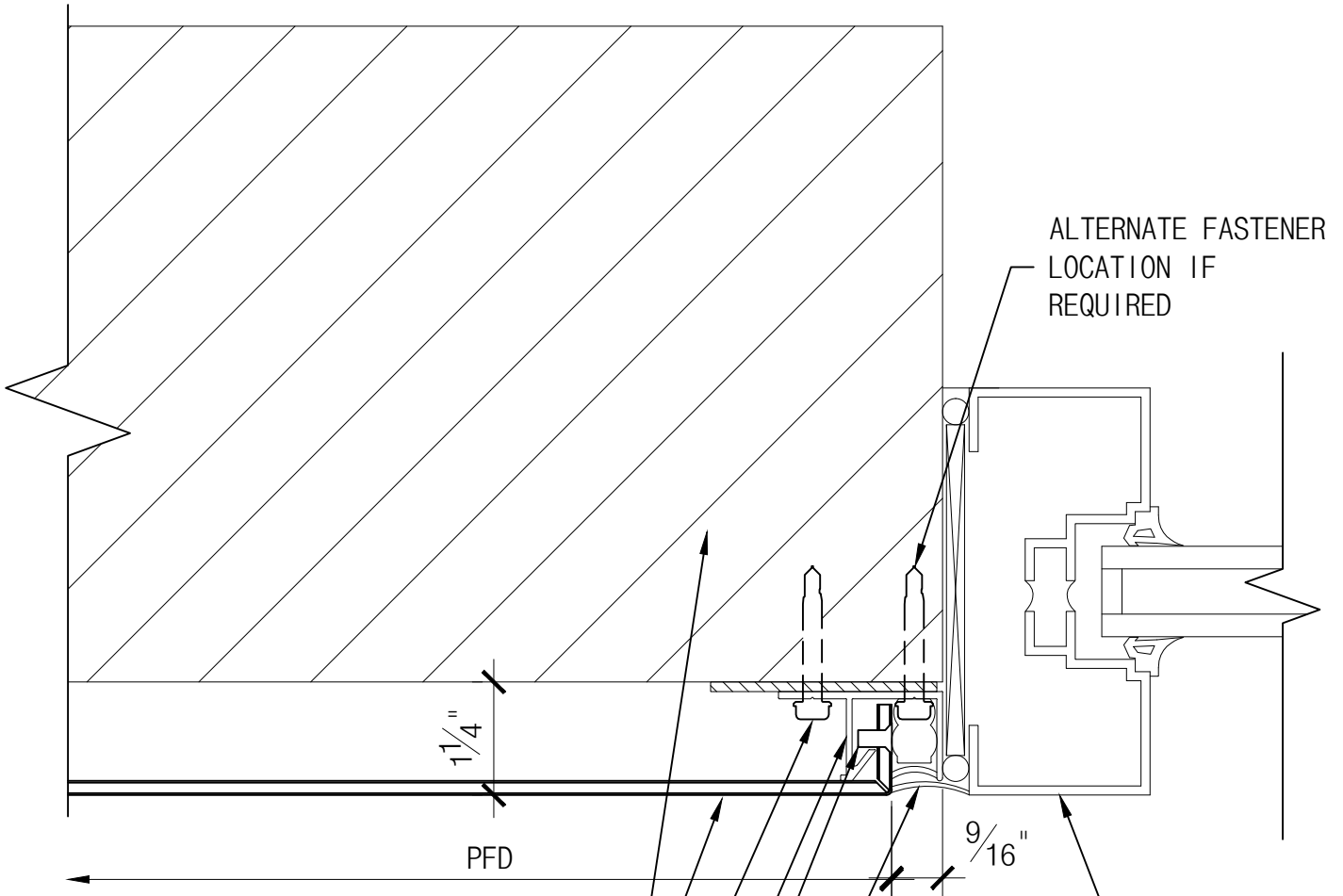
NOTE:
AIR/MOISTURE BARRIER INSTALLER MUST PROVIDE WEATHER TIGHT SEAL AT ALL BARRIER TERMINATIONS

THE INFORMATION CONTAINED IN THIS DRAWING IS THE SOLE PROPERTY OF METAL DESIGN SYSTEMS. ANY REPRODUCTION, IN PART OR WHOLE, WITHOUT THE WRITTEN PERMISSION OF METAL DESIGN SYSTEMS IS PROHIBITED.



METAL DESIGN SYSTEMS
4150 C Street S.W.
CEDAR RAPIDS, IA. 52404
Ph. (319) 362-7454

PROJECT SERIES 40 DETAILS		
DRAWING DESCRIPTION WINDOW SILL DETAIL (TYP.)		
PROJECT NUMBER	DRAWING NUMBER S40-ACM-08	DATE 6.02.14
MATERIAL	SCALE 6" = 1'-0"	DRAWN BY



ALTERNATE FASTENER LOCATION IF REQUIRED

1 1/4"

PFD

9/16"

REFER TO CONTRACT DOCUMENTS FOR EXACT CONSTRUCTION DETAILS

ACM PANEL BY MDS

SHIMS AND APPROVED FASTENERS BY INSTALLER (SIZE, TYPE AND QUANTITY TO BE APPROPRIATE FOR CONDITIONS)

#4001 EXTRUSION BY MDS

FACTORY INSTALLED STAINLESS STEEL RIVET

SILICONE SEALANT BY OTHERS OVER POLYETHYLENE WEDGE BY MDS

WINDOW SYSTEM AND ALL RELATED FLASHINGS, BLOCKING, AND SEALANTS BY OTHERS

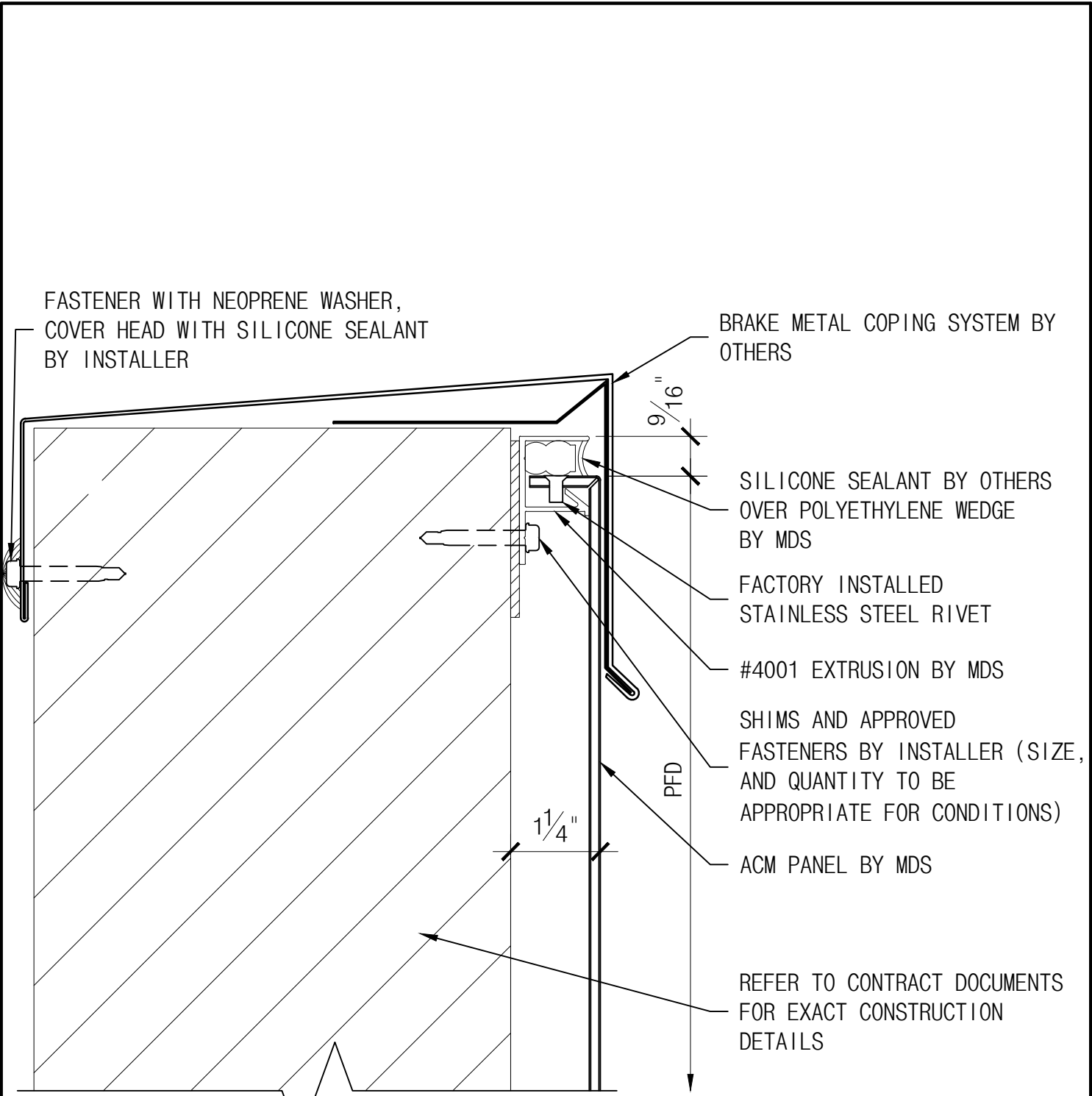
NOTE:
AIR/MOISTURE BARRIER INSTALLER MUST PROVIDE WEATHER TIGHT SEAL AT ALL BARRIER TERMINATIONS

THE INFORMATION CONTAINED IN THIS DRAWING IS THE SOLE PROPERTY OF METAL DESIGN SYSTEMS. ANY REPRODUCTION, IN PART OR WHOLE, WITHOUT THE WRITTEN PERMISSION OF METAL DESIGN SYSTEMS IS PROHIBITED.



METAL DESIGN SYSTEMS
4150 C Street S.W.
CEDAR RAPIDS, IA. 52404
Ph. (319) 362-7454

PROJECT SERIES 40 DETAILS		
DRAWING DESCRIPTION WINDOW/DOOR JAMB DETAIL (TYP.)		
PROJECT NUMBER	DRAWING NUMBER S40-ACM-09	DATE 6.02.14
MATERIAL	SCALE 6" = 1'-0"	DRAWN BY



FASTENER WITH NEOPRENE WASHER,
COVER HEAD WITH SILICONE SEALANT
BY INSTALLER

BRAKE METAL COPING SYSTEM BY
OTHERS

9/16"

SILICONE SEALANT BY OTHERS
OVER POLYETHYLENE WEDGE
BY MDS

FACTORY INSTALLED
STAINLESS STEEL RIVET


#4001 EXTRUSION BY MDS

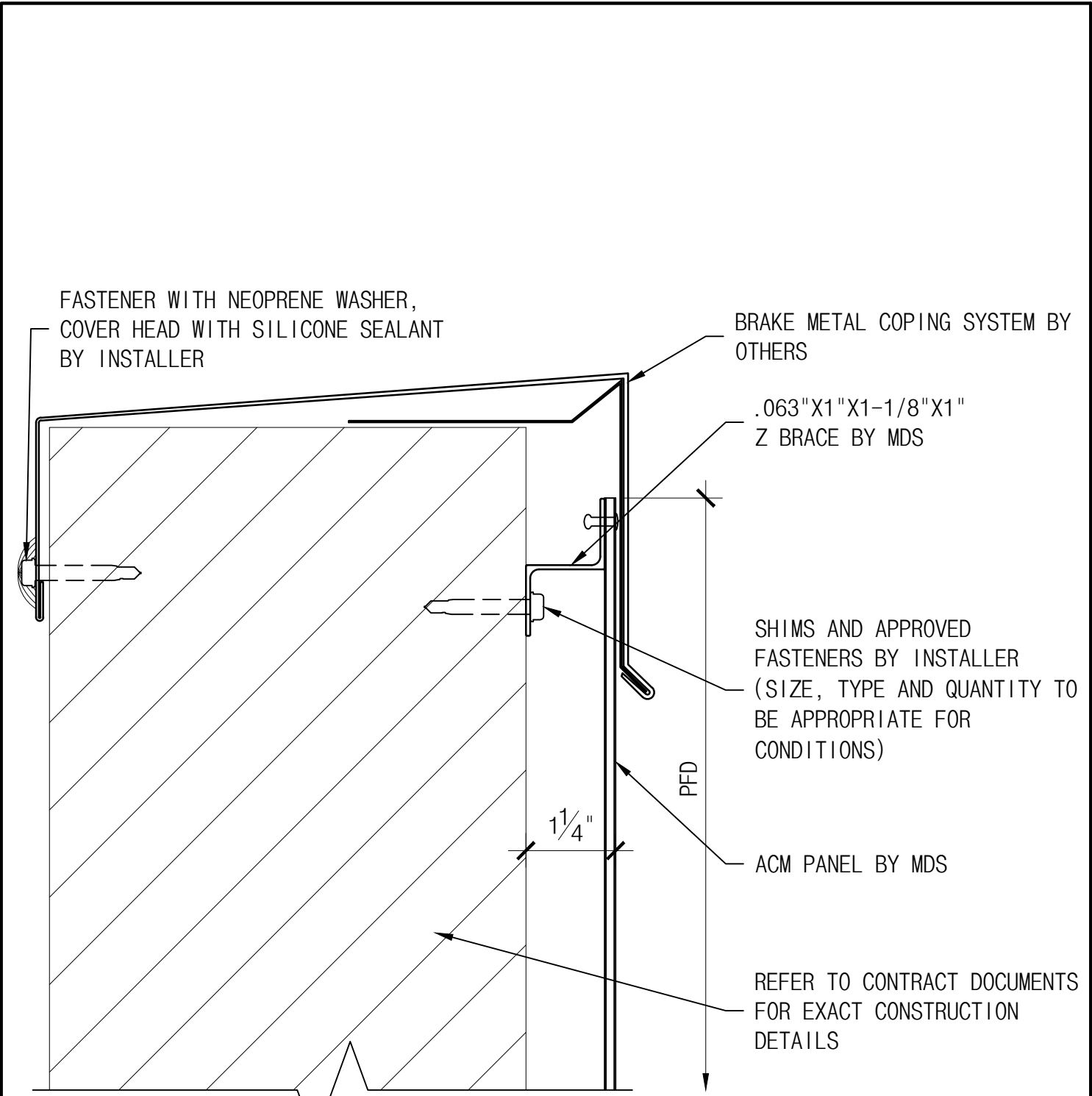
SHIMS AND APPROVED
FASTENERS BY INSTALLER (SIZE,
AND QUANTITY TO BE
APPROPRIATE FOR CONDITIONS)

ACM PANEL BY MDS


REFER TO CONTRACT DOCUMENTS
FOR EXACT CONSTRUCTION
DETAILS

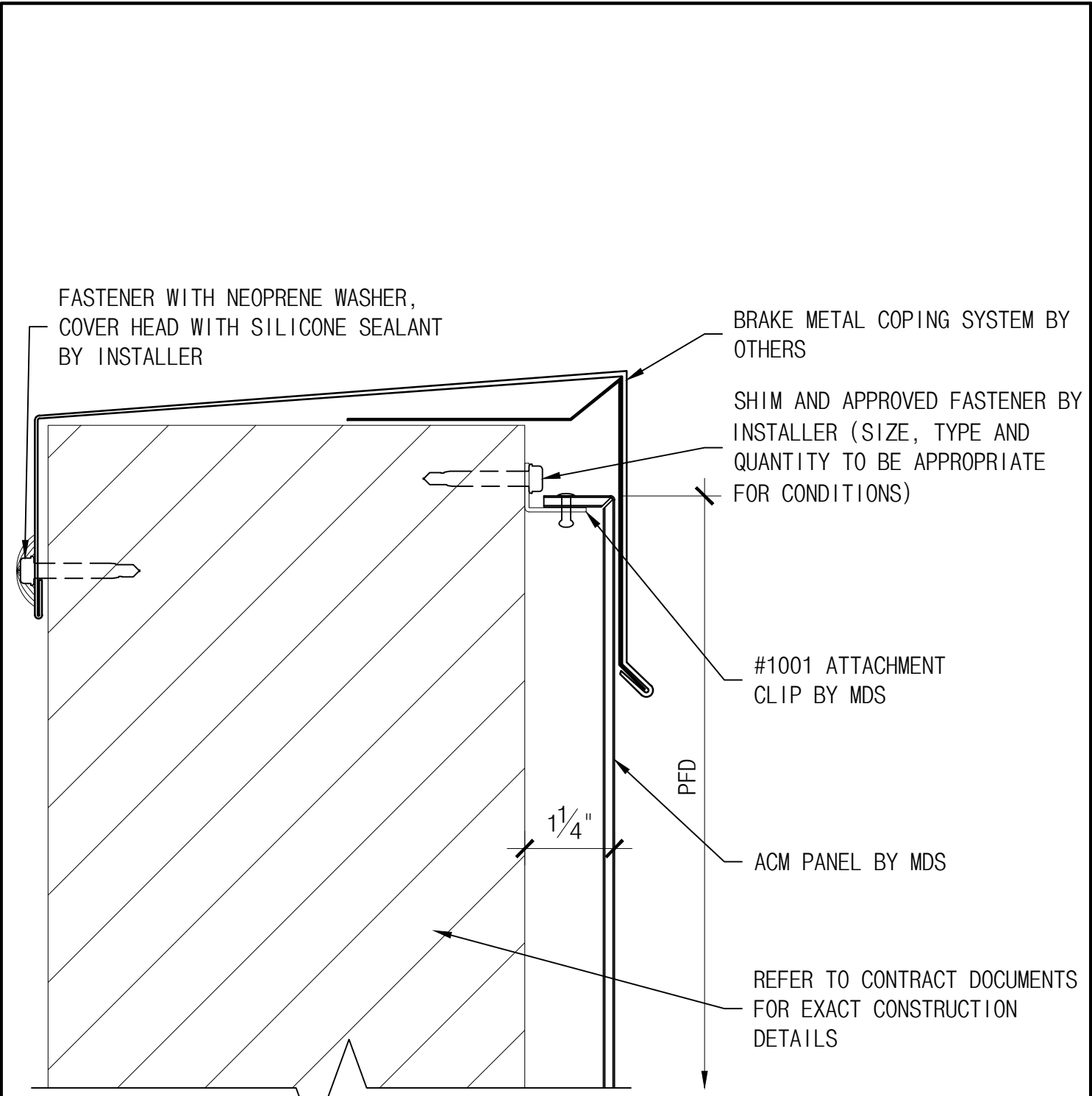
NOTE:
AIR/MOISTURE BARRIER
INSTALLER MUST PROVIDE
WEATHER TIGHT SEAL AT
ALL BARRIER TERMINATIONS

<p>THE INFORMATION CONTAINED IN THIS DRAWING IS THE SOLE PROPERTY OF METAL DESIGN SYSTEMS. ANY REPRODUCTION, IN PART OR WHOLE, WITHOUT THE WRITTEN PERMISSION OF METAL DESIGN SYSTEMS IS PROHIBITED.</p>	 METAL DESIGN SYSTEMS <small>DESIGNED FOR A PERFECT FIT.</small>	METAL DESIGN SYSTEMS		PROJECT SERIES 40 DETAILS			
		4150 C Street S.W. CEDAR RAPIDS, IA. 52404 Ph. (319) 362-7454		DRAWING DESCRIPTION BREAK METAL COPING DETAIL (TYP.)			
		MATERIAL		PROJECT NUMBER	DRAWING NUMBER S40-ACM-10A	DATE 6.02.14	
		6" = 1'-0"		DRAWN BY			



NOTE:
 AIR/MOISTURE BARRIER
 INSTALLER MUST PROVIDE
 WEATHER TIGHT SEAL AT
 ALL BARRIER TERMINATIONS

<p>THE INFORMATION CONTAINED IN THIS DRAWING IS THE SOLE PROPERTY OF METAL DESIGN SYSTEMS. ANY REPRODUCTION, IN PART OR WHOLE, WITHOUT THE WRITTEN PERMISSION OF METAL DESIGN SYSTEMS IS PROHIBITED.</p>	 METAL DESIGN SYSTEMS <small>DESIGNED FOR A PERFECT FIT.</small>	METAL DESIGN SYSTEMS 4150 C Street S.W. CEDAR RAPIDS, IA. 52404 Ph. (319) 362-7454		PROJECT SERIES 40 DETAILS		
		DRAWING DESCRIPTION ALT. BREAK METAL COPING DETAIL				
		PROJECT NUMBER		DRAWING NUMBER S40-ACM-10B	DATE 6.02.14	
		MATERIAL		SCALE 6" = 1'-0"	DRAWN BY	



FASTENER WITH NEOPRENE WASHER,
COVER HEAD WITH SILICONE SEALANT
BY INSTALLER

BRAKE METAL COPING SYSTEM BY
OTHERS

SHIM AND APPROVED FASTENER BY
INSTALLER (SIZE, TYPE AND
QUANTITY TO BE APPROPRIATE
FOR CONDITIONS)

#1001 ATTACHMENT
CLIP BY MDS


PFD

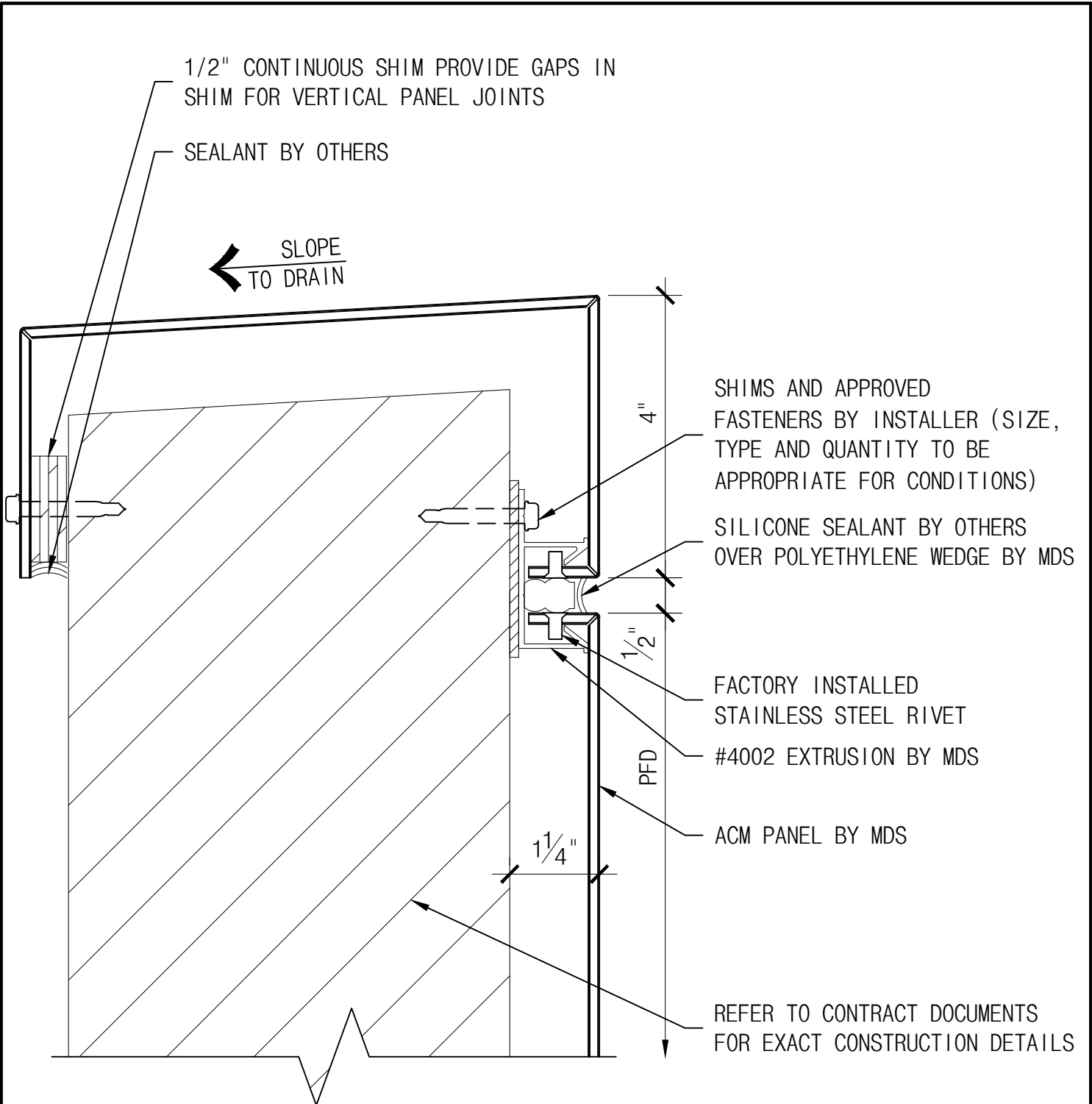
ACM PANEL BY MDS

1 1/4"

REFER TO CONTRACT DOCUMENTS
FOR EXACT CONSTRUCTION
DETAILS

NOTE:
AIR/MOISTURE BARRIER
INSTALLER MUST PROVIDE
WEATHER TIGHT SEAL AT
ALL BARRIER TERMINATIONS

<p>THE INFORMATION CONTAINED IN THIS DRAWING IS THE SOLE PROPERTY OF METAL DESIGN SYSTEMS. ANY REPRODUCTION, IN PART OR WHOLE, WITHOUT THE WRITTEN PERMISSION OF METAL DESIGN SYSTEMS IS PROHIBITED.</p>	 METAL DESIGN SYSTEMS <small>DESIGNED FOR A PERFECT FIT.</small>	METAL DESIGN SYSTEMS		PROJECT SERIES 40 DETAILS			
		4150 C Street S.W. CEDAR RAPIDS, IA. 52404 Ph. (319) 362-7454		DRAWING DESCRIPTION ALT. BREAK METAL COPING DETAIL			
		MATERIAL		PROJECT NUMBER	DRAWING NUMBER S40-ACM-10C	DATE 6.02.14	
		SCALE 6" = 1'-0"		DRAWN BY			



NOTE:
 AIR/MOISTURE BARRIER
 INSTALLER MUST PROVIDE
 WEATHER TIGHT SEAL AT
 ALL BARRIER TERMINATIONS

THE INFORMATION CONTAINED IN THIS DRAWING IS THE SOLE PROPERTY OF METAL DESIGN SYSTEMS. ANY REPRODUCTION, IN PART OR WHOLE, WITHOUT THE WRITTEN PERMISSION OF METAL DESIGN SYSTEMS IS PROHIBITED.

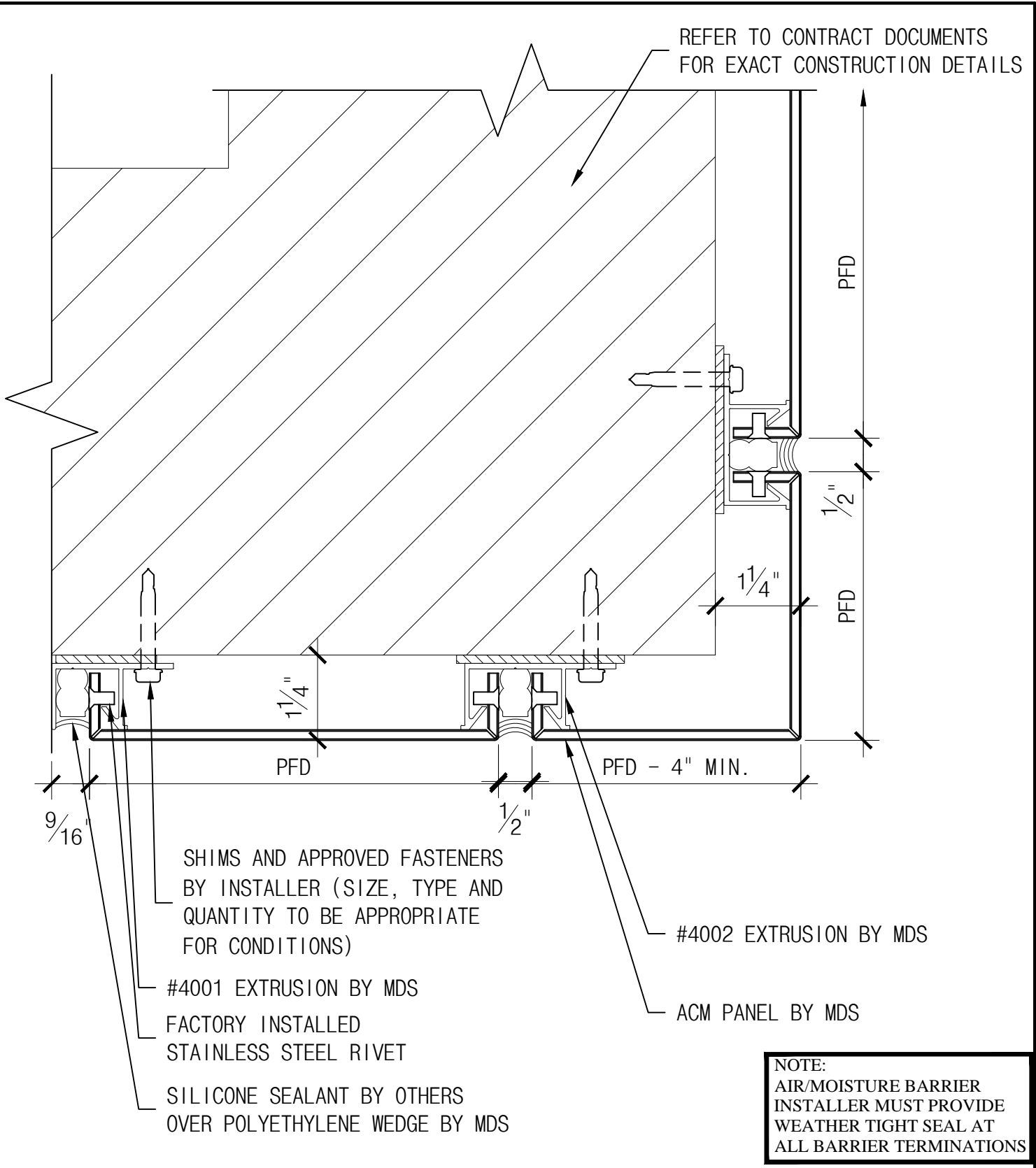
METAL DESIGN SYSTEMS
 4150 C Street S.W.
 CEDAR RAPIDS, IA. 52404
 Ph. (319) 362-7454

MATERIAL

METAL DESIGN SYSTEMS
 DESIGNED FOR A PERFECT FIT.

PROJECT SERIES 40 DETAILS		
DRAWING DESCRIPTION ACM COPING DETAIL (TYP.)		
PROJECT NUMBER	DRAWING NUMBER S40-ACM-11	DATE 6.02.14
SCALE 6" = 1'-0"	DRAWN BY	

REFER TO CONTRACT DOCUMENTS
FOR EXACT CONSTRUCTION DETAILS



SHIMS AND APPROVED FASTENERS
BY INSTALLER (SIZE, TYPE AND
QUANTITY TO BE APPROPRIATE
FOR CONDITIONS)

#4001 EXTRUSION BY MDS

FACTORY INSTALLED
STAINLESS STEEL RIVET

SILICONE SEALANT BY OTHERS
OVER POLYETHYLENE WEDGE BY MDS

#4002 EXTRUSION BY MDS

ACM PANEL BY MDS

NOTE:
AIR/MOISTURE BARRIER
INSTALLER MUST PROVIDE
WEATHER TIGHT SEAL AT
ALL BARRIER TERMINATIONS

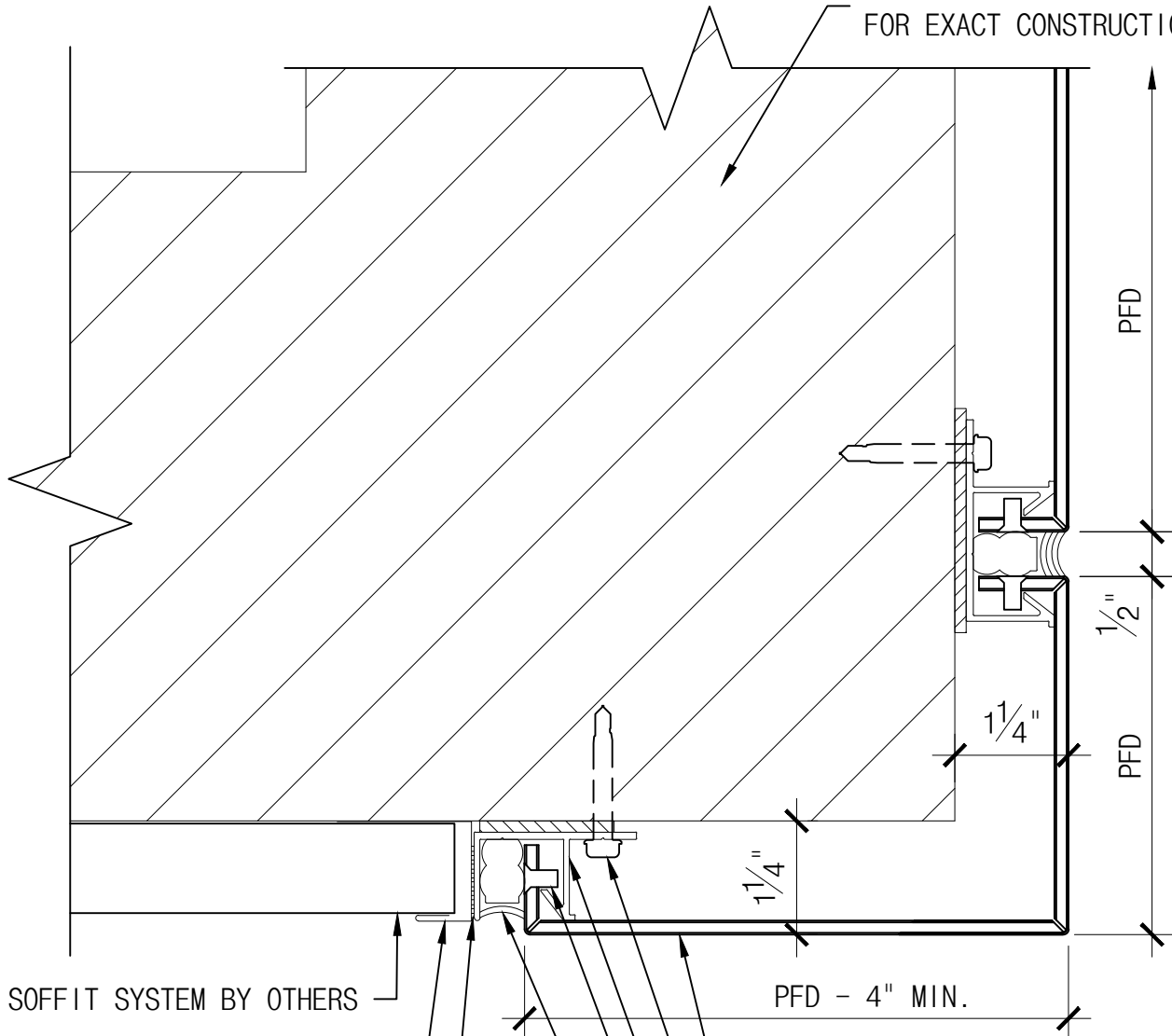
THE INFORMATION CONTAINED IN THIS
DRAWING IS THE SOLE PROPERTY OF
METAL DESIGN SYSTEMS. ANY
REPRODUCTION, IN PART OR WHOLE,
WITHOUT THE WRITTEN PERMISSION OF
METAL DESIGN SYSTEMS IS PROHIBITED.



METAL DESIGN SYSTEMS
4150 C Street S.W.
CEDAR RAPIDS, IA. 52404
Ph. (319) 362-7454

PROJECT SERIES 40 DETAILS		
DRAWING DESCRIPTION ACM SOFFIT CONNECTION DETAIL (TYP.)		
PROJECT NUMBER	DRAWING NUMBER S40-ACM-12	DATE 6.02.14
MATERIAL	SCALE 6" = 1'-0"	DRAWN BY

REFER TO CONTRACT DOCUMENTS
FOR EXACT CONSTRUCTION DETAILS



SOFFIT SYSTEM BY OTHERS

SOFFIT SYSTEM "J" CHANNEL
BY OTHERS

SET EXTRUSION IN BED
OF SILICONE SEALANT
BY INSTALLER

ACM PANEL BY MDS

SHIMS AND APPROVED FASTENERS BY
INSTALLER (SIZE, TYPE AND QUANTITY
TO BE APPROPRIATE FOR CONDITIONS)

#4001 EXTRUSION BY MDS

FACTORY INSTALLED
STAINLESS STEEL RIVET

SILICONE GASKET BY MDS SET IN BED
OF SILICONE SEALANT BY INSTALLER

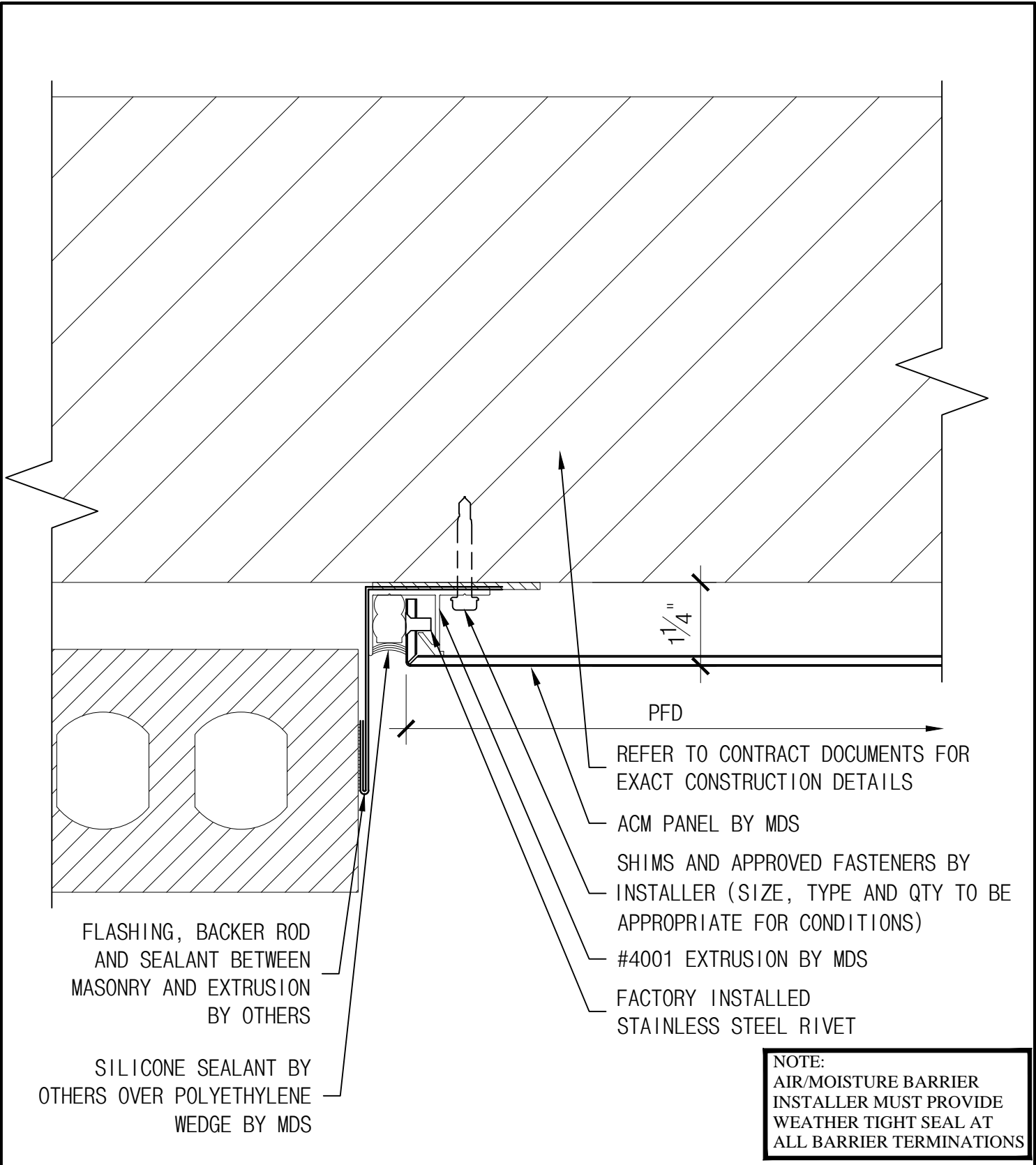
NOTE:
AIR/MOISTURE BARRIER
INSTALLER MUST PROVIDE
WEATHER TIGHT SEAL AT
ALL BARRIER TERMINATIONS

THE INFORMATION CONTAINED IN THIS
DRAWING IS THE SOLE PROPERTY OF
METAL DESIGN SYSTEMS. ANY
REPRODUCTION, IN PART OR WHOLE,
WITHOUT THE WRITTEN PERMISSION OF
METAL DESIGN SYSTEMS IS PROHIBITED.




METAL DESIGN SYSTEMS
4150 C Street S.W.
CEDAR RAPIDS, IA. 52404
Ph. (319) 362-7454

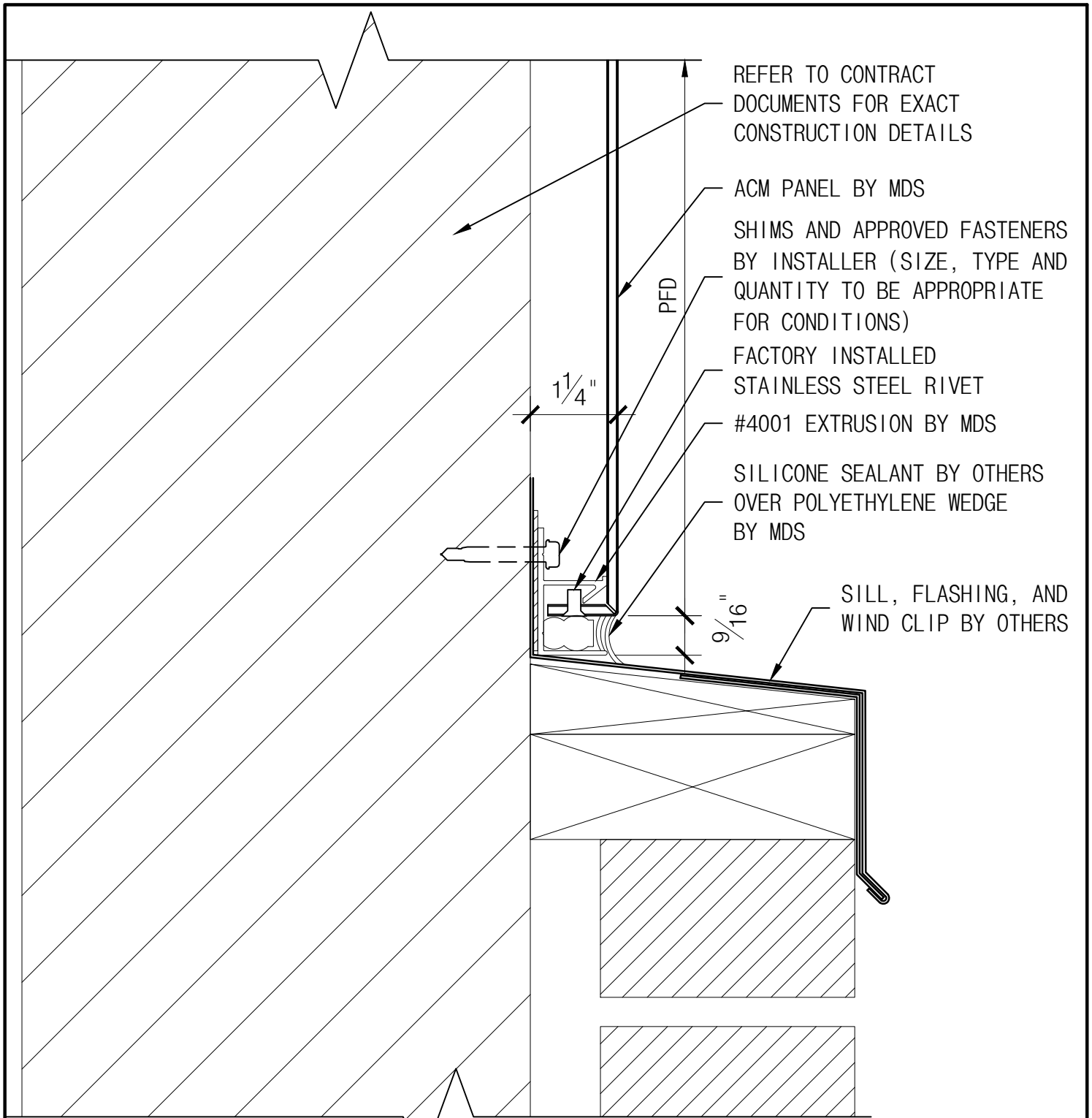
PROJECT SERIES 40 DETAILS		
DRAWING DESCRIPTION ALT. SOFFIT CONNECTION DETAIL (TYP.)		
PROJECT NUMBER	DRAWING NUMBER S40-ACM-13	DATE 6.02.14
MATERIAL	SCALE 6" = 1'-0"	DRAWN BY



- REFER TO CONTRACT DOCUMENTS FOR EXACT CONSTRUCTION DETAILS
- ACM PANEL BY MDS
- SHIMS AND APPROVED FASTENERS BY INSTALLER (SIZE, TYPE AND QTY TO BE APPROPRIATE FOR CONDITIONS)
- #4001 EXTRUSION BY MDS
- FACTORY INSTALLED STAINLESS STEEL RIVET

NOTE:
 AIR/MOISTURE BARRIER
 INSTALLER MUST PROVIDE
 WEATHER TIGHT SEAL AT
 ALL BARRIER TERMINATIONS

<p>THE INFORMATION CONTAINED IN THIS DRAWING IS THE SOLE PROPERTY OF METAL DESIGN SYSTEMS. ANY REPRODUCTION, IN PART OR WHOLE, WITHOUT THE WRITTEN PERMISSION OF METAL DESIGN SYSTEMS IS PROHIBITED.</p>	 METAL DESIGN SYSTEMS <small>DESIGNED FOR A PERFECT FIT.</small>	METAL DESIGN SYSTEMS	PROJECT SERIES 40 DETAILS			
		4150 C Street S.W. CEDAR RAPIDS, IA. 52404 Ph. (319) 362-7454	DRAWING DESCRIPTION PANEL TO MASONRY DETAIL (TYP.)			
		MATERIAL	PROJECT NUMBER	DRAWING NUMBER S40-ACM-14	DATE 6.02.14	
			SCALE 6" = 1'-0"	DRAWN BY		



REFER TO CONTRACT DOCUMENTS FOR EXACT CONSTRUCTION DETAILS

ACM PANEL BY MDS

SHIMS AND APPROVED FASTENERS BY INSTALLER (SIZE, TYPE AND QUANTITY TO BE APPROPRIATE FOR CONDITIONS)

FACTORY INSTALLED STAINLESS STEEL RIVET

#4001 EXTRUSION BY MDS

SILICONE SEALANT BY OTHERS OVER POLYETHYLENE WEDGE BY MDS

SILL, FLASHING, AND WIND CLIP BY OTHERS

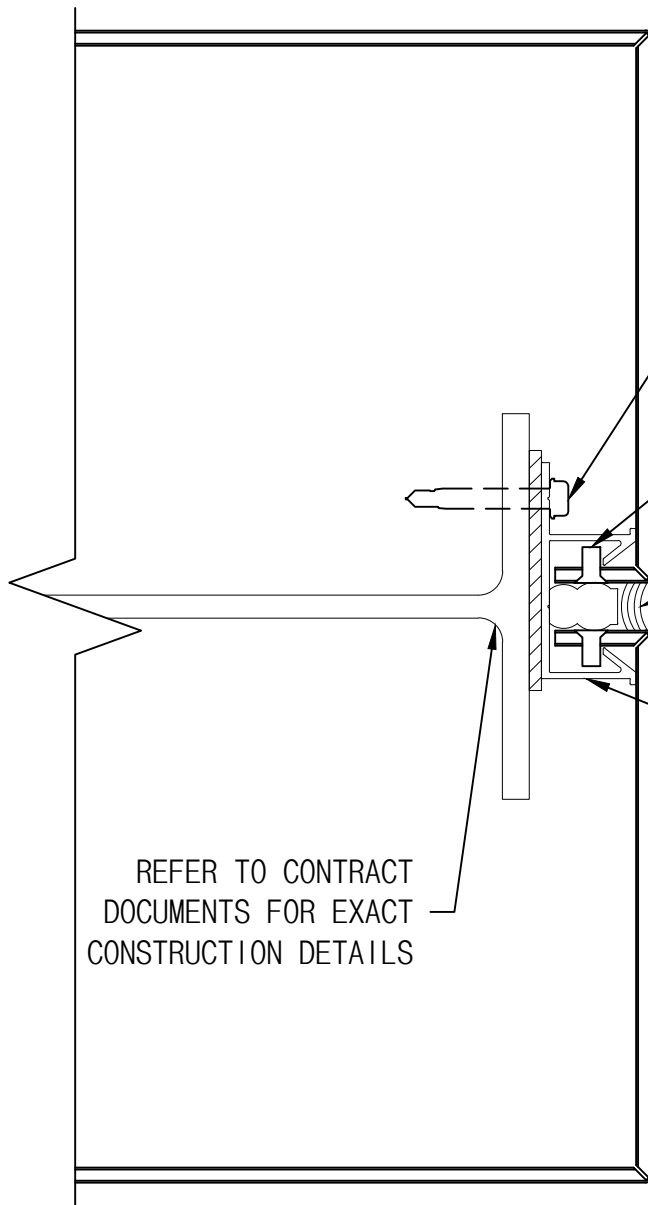
NOTE:
AIR/MOISTURE BARRIER INSTALLER MUST PROVIDE WEATHER TIGHT SEAL AT ALL BARRIER TERMINATIONS

THE INFORMATION CONTAINED IN THIS DRAWING IS THE SOLE PROPERTY OF METAL DESIGN SYSTEMS. ANY REPRODUCTION, IN PART OR WHOLE, WITHOUT THE WRITTEN PERMISSION OF METAL DESIGN SYSTEMS IS PROHIBITED.



METAL DESIGN SYSTEMS
4150 C Street S.W.
CEDAR RAPIDS, IA. 52404
Ph. (319) 362-7454

PROJECT SERIES 40 DETAILS		
DRAWING DESCRIPTION MASONRY SILL DETAIL (TYP.)		
PROJECT NUMBER	DRAWING NUMBER S40-ACM-15	DATE 6.02.14
MATERIAL	SCALE 6" = 1'-0"	DRAWN BY



SHIMS AND APPROVED FASTENERS
BY INSTALLER (SIZE, TYPE AND
QUANTITY TO BE APPROPRIATE
FOR CONDITIONS)

FACTORY INSTALLED
STAINLESS STEEL
RIVET

SILICONE SEALANT
BY OTHERS OVER
POLYETHYLENE
WEDGE BY MDS

#4002 EXTRUSION
BY MDS

ACM PANEL BY MDS

REFER TO CONTRACT
DOCUMENTS FOR EXACT
CONSTRUCTION DETAILS

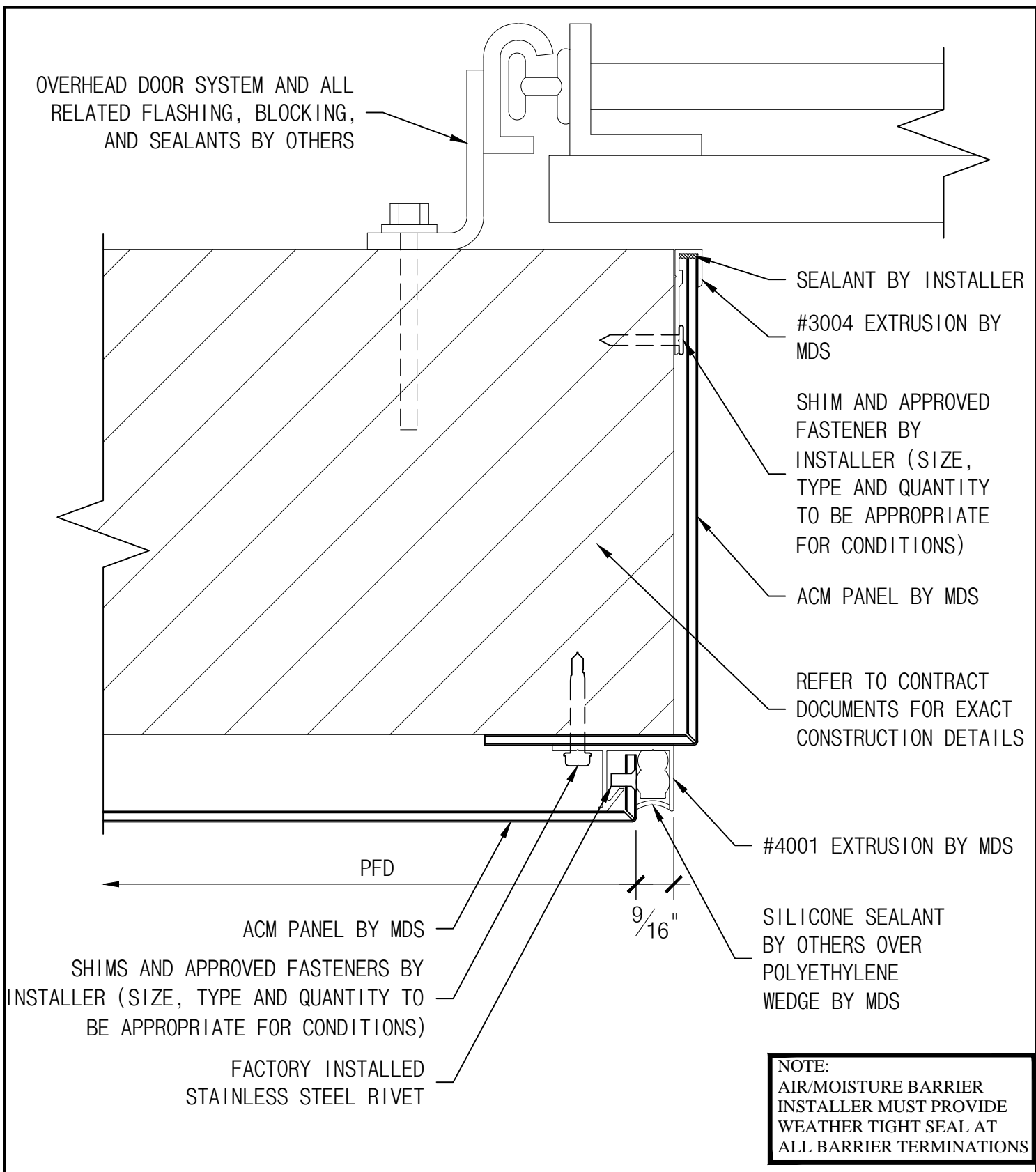
NOTE: ISOLATE DISSIMILAR
METALS TO PREVENT
GALVANIC REACTION

THE INFORMATION CONTAINED IN THIS
DRAWING IS THE SOLE PROPERTY OF
METAL DESIGN SYSTEMS. ANY
REPRODUCTION, IN PART OR WHOLE,
WITHOUT THE WRITTEN PERMISSION OF
METAL DESIGN SYSTEMS IS PROHIBITED.




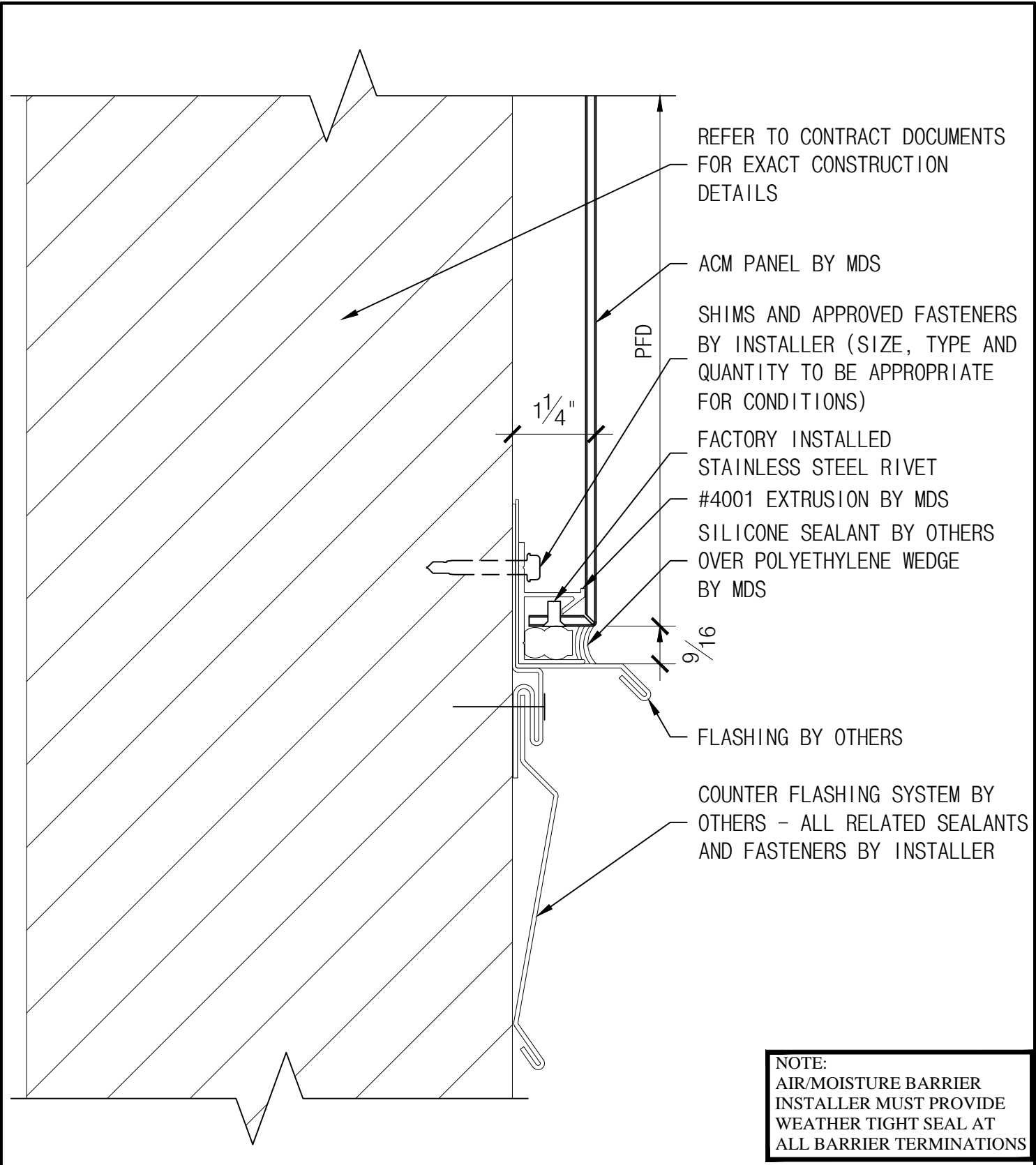
METAL DESIGN SYSTEMS
4150 C Street S.W.
CEDAR RAPIDS, IA. 52404
Ph. (319) 362-7454

PROJECT SERIES 40 DETAILS		
DRAWING DESCRIPTION SQUARE COLUMN COVER DETAIL (TYP.)		
PROJECT NUMBER	DRAWING NUMBER S40-ACM-16	DATE 6.02.14
MATERIAL	SCALE 6" = 1'-0"	DRAWN BY



NOTE:
 AIR/MOISTURE BARRIER
 INSTALLER MUST PROVIDE
 WEATHER TIGHT SEAL AT
 ALL BARRIER TERMINATIONS

<p>THE INFORMATION CONTAINED IN THIS DRAWING IS THE SOLE PROPERTY OF METAL DESIGN SYSTEMS. ANY REPRODUCTION, IN PART OR WHOLE, WITHOUT THE WRITTEN PERMISSION OF METAL DESIGN SYSTEMS IS PROHIBITED.</p>	 <p>METAL DESIGN SYSTEMS <small>DESIGNED FOR A PERFECT FIT.</small></p>	<p>METAL DESIGN SYSTEMS</p>		<p>PROJECT SERIES 40 DETAILS</p>		
		<p>4150 C Street S.W. CEDAR RAPIDS, IA. 52404 Ph. (319) 362-7454</p>		<p>DRAWING DESCRIPTION OVERHEAD DOOR DETAIL (TYP.)</p>		
		<p>MATERIAL</p>		<p>PROJECT NUMBER</p>	<p>DRAWING NUMBER S40-ACM-17</p>	<p>DATE 6.02.14</p>
		<p>SCALE 6" = 1'-0"</p>		<p>DRAWN BY</p>		



REFER TO CONTRACT DOCUMENTS FOR EXACT CONSTRUCTION DETAILS

ACM PANEL BY MDS

SHIMS AND APPROVED FASTENERS BY INSTALLER (SIZE, TYPE AND QUANTITY TO BE APPROPRIATE FOR CONDITIONS)

FACTORY INSTALLED STAINLESS STEEL RIVET

#4001 EXTRUSION BY MDS

SILICONE SEALANT BY OTHERS OVER POLYETHYLENE WEDGE BY MDS

FLASHING BY OTHERS

COUNTER FLASHING SYSTEM BY OTHERS - ALL RELATED SEALANTS AND FASTENERS BY INSTALLER

NOTE:
AIR/MOISTURE BARRIER
INSTALLER MUST PROVIDE
WEATHER TIGHT SEAL AT
ALL BARRIER TERMINATIONS

<p>THE INFORMATION CONTAINED IN THIS DRAWING IS THE SOLE PROPERTY OF METAL DESIGN SYSTEMS. ANY REPRODUCTION, IN PART OR WHOLE, WITHOUT THE WRITTEN PERMISSION OF METAL DESIGN SYSTEMS IS PROHIBITED.</p>	 <p>METAL DESIGN SYSTEMS DESIGNED FOR A PERFECT FIT.</p>	<p>METAL DESIGN SYSTEMS 4150 C Street S.W. CEDAR RAPIDS, IA. 52404 Ph. (319) 362-7454</p>	<p>PROJECT SERIES 40 DETAILS</p>		
			<p>DRAWING DESCRIPTION PANEL TERM. ABOVE ROOF DETAIL (TYP.)</p>		
			<p>PROJECT NUMBER</p>	<p>DRAWING NUMBER S40-ACM-18</p>	<p>DATE 6.02.14</p>
<p>SCALE 6" = 1'-0"</p>		<p>DRAWN BY</p>			