
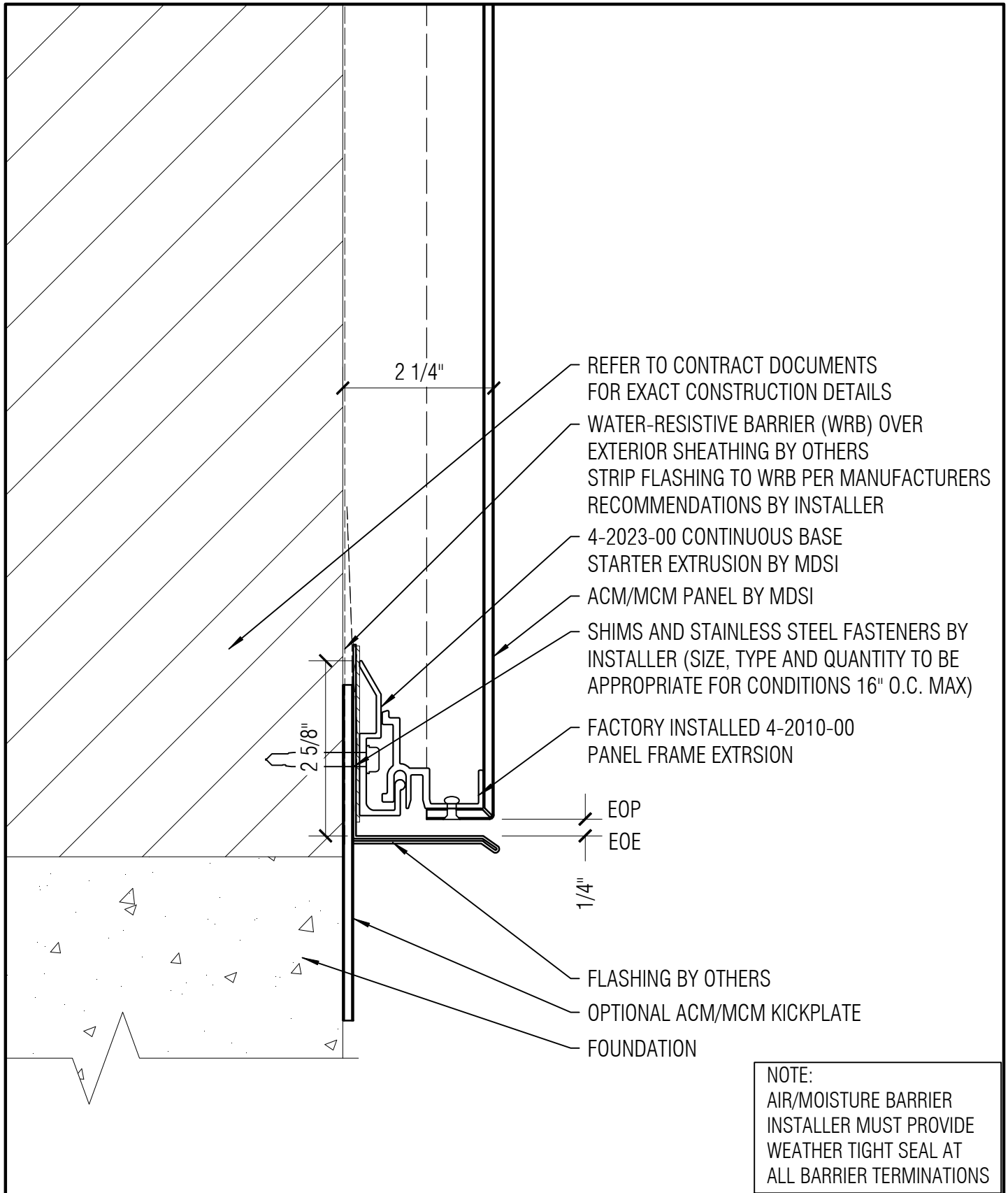



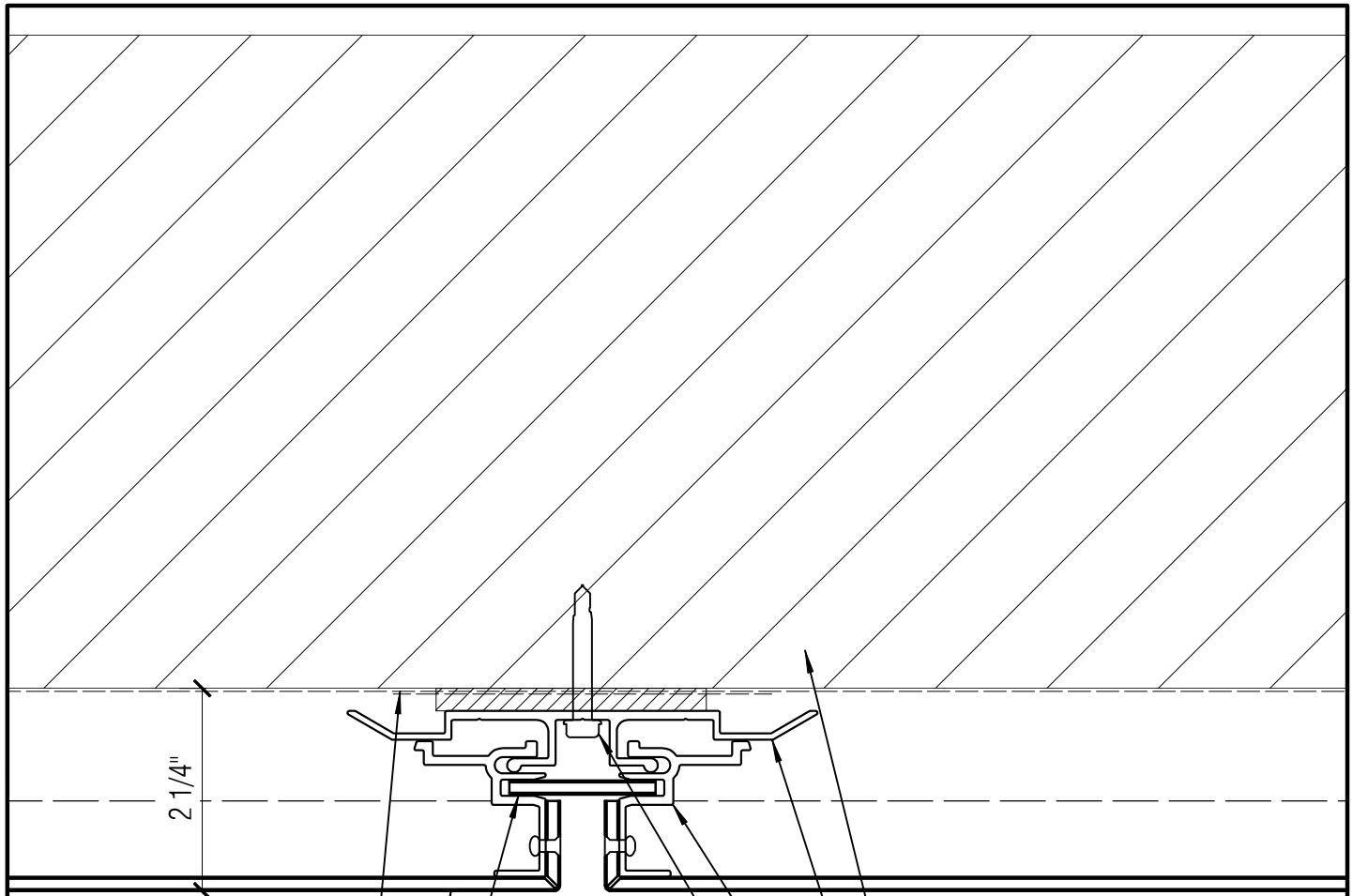
**NOTE:**  
AIR/MOISTURE BARRIER  
INSTALLER MUST PROVIDE  
WEATHER TIGHT SEAL AT  
ALL BARRIER TERMINATIONS

<p>THE INFORMATION CONTAINED IN THIS DRAWING IS THE SOLE PROPERTY OF METAL DESIGN SYSTEMS INC.. ANY REPRODUCTION, IN PART OR WHOLE, WITHOUT THE WRITTEN PERMISSION OF METAL DESIGN SYSTEMS INC. IS PROHIBITED.</p>  <p><b>METAL DESIGN SYSTEMS</b> DESIGNED FOR A PERFECT FIT</p>	<p><b>METAL DESIGN SYSTEMS</b></p> <p>4150 C Street S.W. Cedar Rapids, Ia. 52404 Ph. (319) 362-7454</p>		<p>PROJECT: <b>SERIES 20 DETAILS</b></p>		
	<p>MATERIAL:</p>		<p>DRAWING DESCRIPTION: <b>TERM. AT FOUNDATION DETAIL (STD.)</b></p>		
			<p>PROJECT NUMBER:</p>	<p>DRAWING NUMBER: <b>S20-MCM-01A</b></p>	<p>DATE: <b>10/1/18</b></p>
			<p>SCALE: <b>6" = 1'-0"</b></p>	<p>DRAWN BY: <b>BSC</b></p>	



**NOTE:**  
 AIR/MOISTURE BARRIER  
 INSTALLER MUST PROVIDE  
 WEATHER TIGHT SEAL AT  
 ALL BARRIER TERMINATIONS

<p>THE INFORMATION CONTAINED IN THIS DRAWING IS THE SOLE PROPERTY OF METAL DESIGN SYSTEMS INC.. ANY REPRODUCTION, IN PART OR WHOLE, WITHOUT THE WRITTEN PERMISSION OF METAL DESIGN SYSTEMS INC. IS PROHIBITED.</p>  <p><b>METAL DESIGN SYSTEMS</b>  <small>DESIGNED FOR A PERFECT FIT</small></p>	<p><b>METAL DESIGN SYSTEMS</b></p>		<p>PROJECT:  <b>SERIES 20 DETAILS</b></p>			
	<p>4150 C Street S.W.                  Cedar Rapids, Ia. 52404                  Ph. (319) 362-7454</p>		<p>DRAWING DESCRIPTION:  <b>TERM. AT FOUNDATION DETAIL (STD.)</b></p>			
	<p>MATERIAL:</p>		<p>PROJECT NUMBER:</p>	<p>DRAWING NUMBER:  <b>S20-MCM-01B</b></p>	<p>DATE:  <b>10/1/18</b></p>	
			<p>SCALE:  <b>6" = 1'-0"</b></p>	<p>DRAWN BY:  <b>BSC</b></p>		



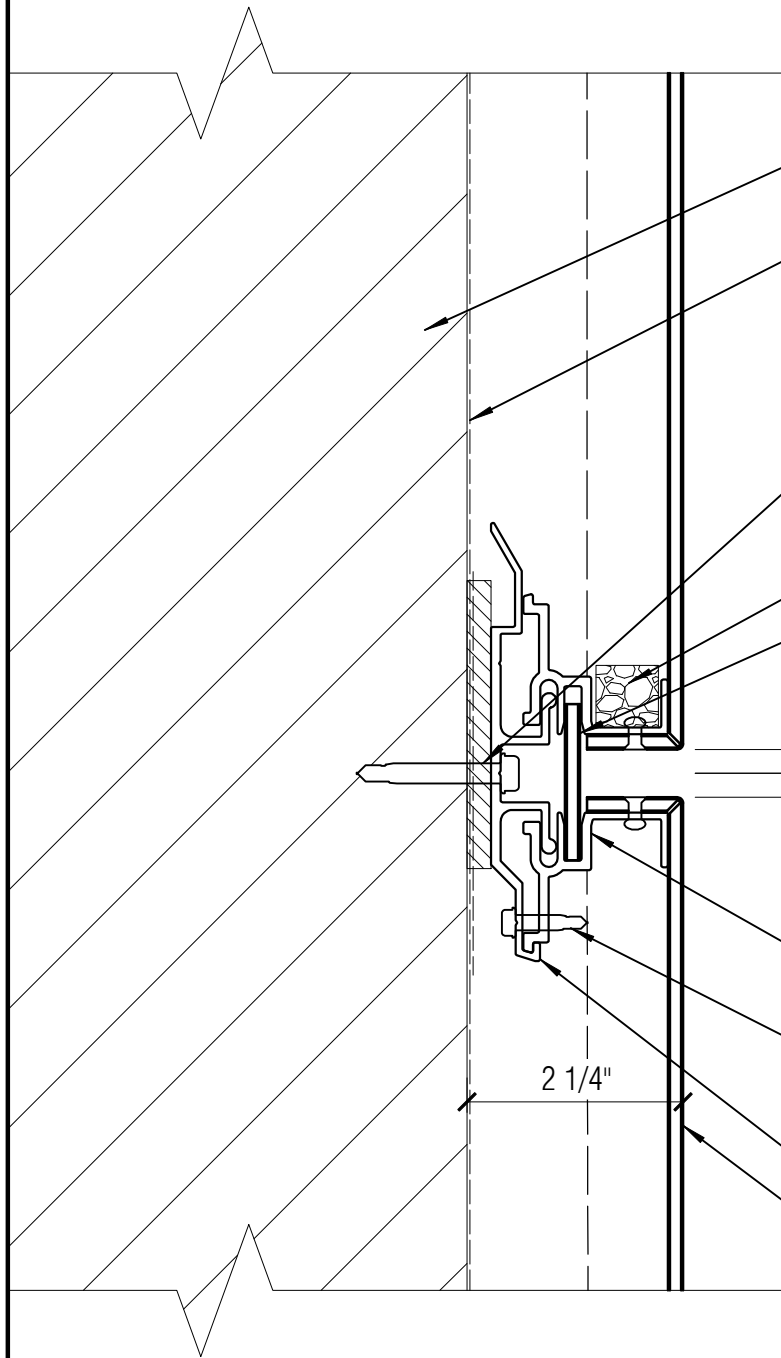
WATER-RESISTIVE BARRIER (WRB) OVER EXTERIOR SHEATHING BY OTHERS  
TREAT ALL FASTENER PENETRATIONS PER WRB MANUFACTURERS RECOMMENDATIONS BY INSTALLER  
ACM/MCM PANEL BY MDSI  
1-5/8" ACM/MCM INFILL STRIP BY MDSI

1/4" EOP C EOP 1/4"

REFER TO CONTRACT DOCUMENTS FOR EXACT CONSTRUCTION DETAILS  
4-2013-00 4" VERTICAL CLIP BY MDSI  
FACTORY INSTALLED 4-2010-00 PANEL FRAME EXTRUSION  
SHIMS AND STAINLESS STEEL FASTENERS BY INSTALLER (SIZE, TYPE AND QUANTITY TO BE APPROPRIATE FOR CONDITIONS 16" O.C. MAX)

**NOTE:**  
AIR/MOISTURE BARRIER INSTALLER MUST PROVIDE WEATHER TIGHT SEAL AT ALL BARRIER TERMINATIONS

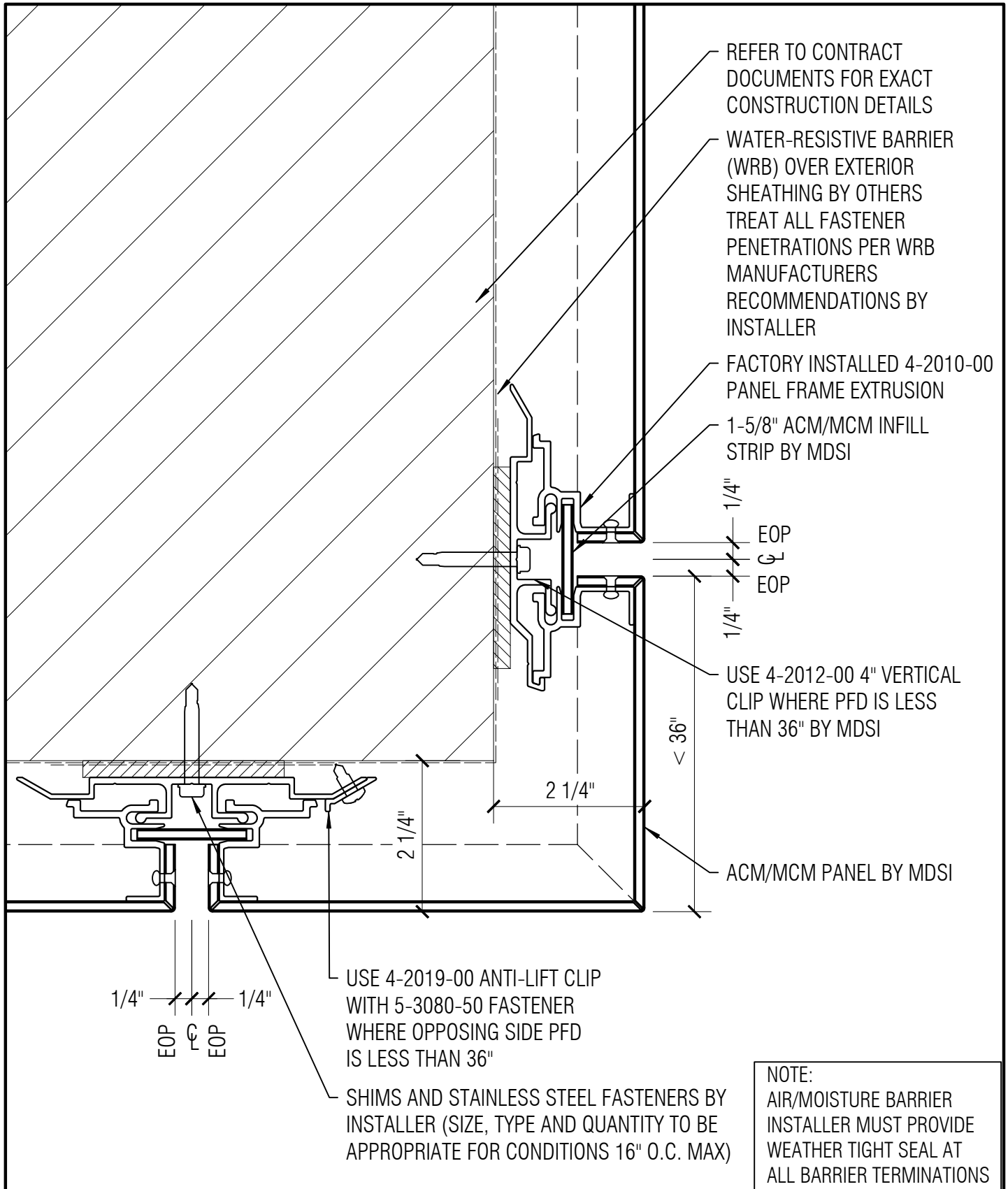
<p>THE INFORMATION CONTAINED IN THIS DRAWING IS THE SOLE PROPERTY OF METAL DESIGN SYSTEMS INC.. ANY REPRODUCTION, IN PART OR WHOLE, WITHOUT THE WRITTEN PERMISSION OF METAL DESIGN SYSTEMS INC. IS PROHIBITED.</p>  <p><b>METAL DESIGN SYSTEMS</b> DESIGNED FOR A PERFECT FIT</p>	<p><b>METAL DESIGN SYSTEMS</b></p>		<p>PROJECT: <b>SERIES 20 DETAILS</b></p>			
	<p>4150 C Street S.W. Cedar Rapids, Ia. 52404 Ph. (319) 362-7454</p>		<p>DRAWING DESCRIPTION: <b>VERTICAL PANEL JOINT DETAIL (TYP.)</b></p>			
	<p>MATERIAL:</p>		<p>PROJECT NUMBER:</p>	<p>DRAWING NUMBER: <b>S20-MCM-02</b></p>	<p>DATE: <b>10/1/18</b></p>	
			<p>SCALE: <b>6" = 1'-0"</b></p>	<p>DRAWN BY: <b>BSC</b></p>		



- REFER TO CONTRACT DOCUMENTS FOR EXACT CONSTRUCTION DETAILS
- WATER-RESISTIVE BARRIER (WRB) OVER EXTERIOR SHEATHING BY OTHERS  
TREAT ALL FASTENER PENETRATIONS PER WRB MANUFACTURERS RECOMMENDATIONS BY INSTALLER
- SHIMS AND STAINLESS STEEL FASTENERS BY INSTALLER (SIZE, TYPE AND QUANTITY TO BE APPROPRIATE FOR CONDITIONS 16" O.C. MAX)
- FACTORY INSTALLED WEEP AND BAFFLE
- 1-5/8" ACM/MCM INFILL STRIP BY MDSI
- FACTORY INSTALLED 4-2010-00 PANEL FRAME EXTRUSION
- 5-2100-75 HEX WASHER HEAD FASTENER AT CENTER CLIP ONLY, PROVIDED BY MDSI, FIELD INSTALLED
- 4-2012-00 4" HORIZONTAL CLIP BY MDSI
- ACM/MCM PANEL BY MDSI

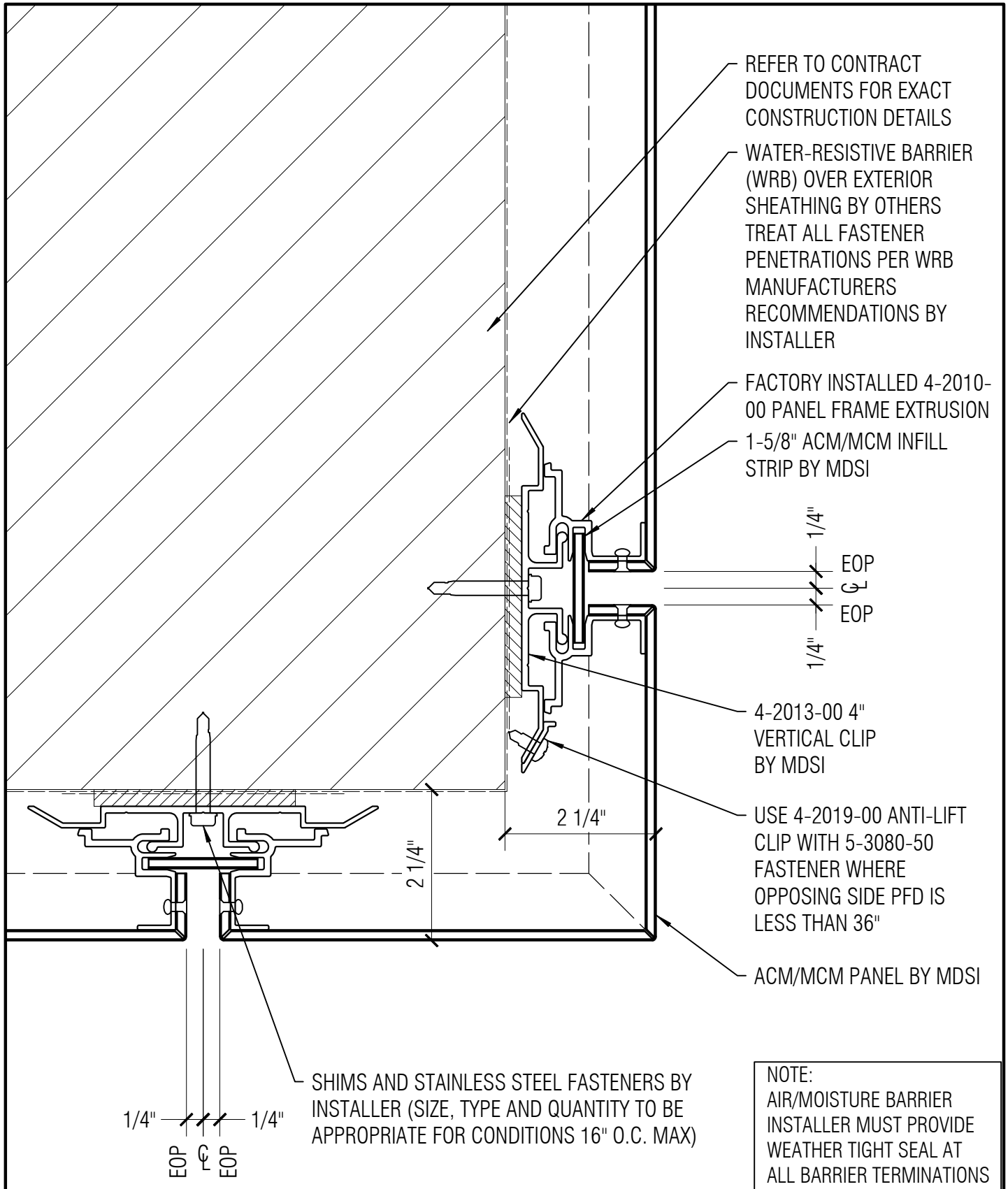
**NOTE:**  
AIR/MOISTURE BARRIER  
INSTALLER MUST PROVIDE  
WEATHER TIGHT SEAL AT  
ALL BARRIER TERMINATIONS


<p>THE INFORMATION CONTAINED IN THIS DRAWING IS THE SOLE PROPERTY OF METAL DESIGN SYSTEMS INC.. ANY REPRODUCTION, IN PART OR WHOLE, WITHOUT THE WRITTEN PERMISSION OF METAL DESIGN SYSTEMS INC. IS PROHIBITED.</p>  <p><b>METAL DESIGN SYSTEMS</b> DESIGNED FOR A PERFECT FIT</p>	<p><b>METAL DESIGN SYSTEMS</b></p>		<p>PROJECT: <b>SERIES 20 DETAILS</b></p>			
	<p>4150 C Street S.W. Cedar Rapids, Ia. 52404 Ph. (319) 362-7454</p>		<p>DRAWING DESCRIPTION: <b>HORIZONTAL PANEL JOINT DETAIL (TYP.)</b></p>			
	<p>MATERIAL:</p>		<p>PROJECT NUMBER:</p>	<p>DRAWING NUMBER: <b>S20-MCM-03</b></p>	<p>DATE: <b>10/1/18</b></p>	
			<p>SCALE: <b>6" = 1'-0"</b></p>	<p>DRAWN BY: <b>BSC</b></p>		

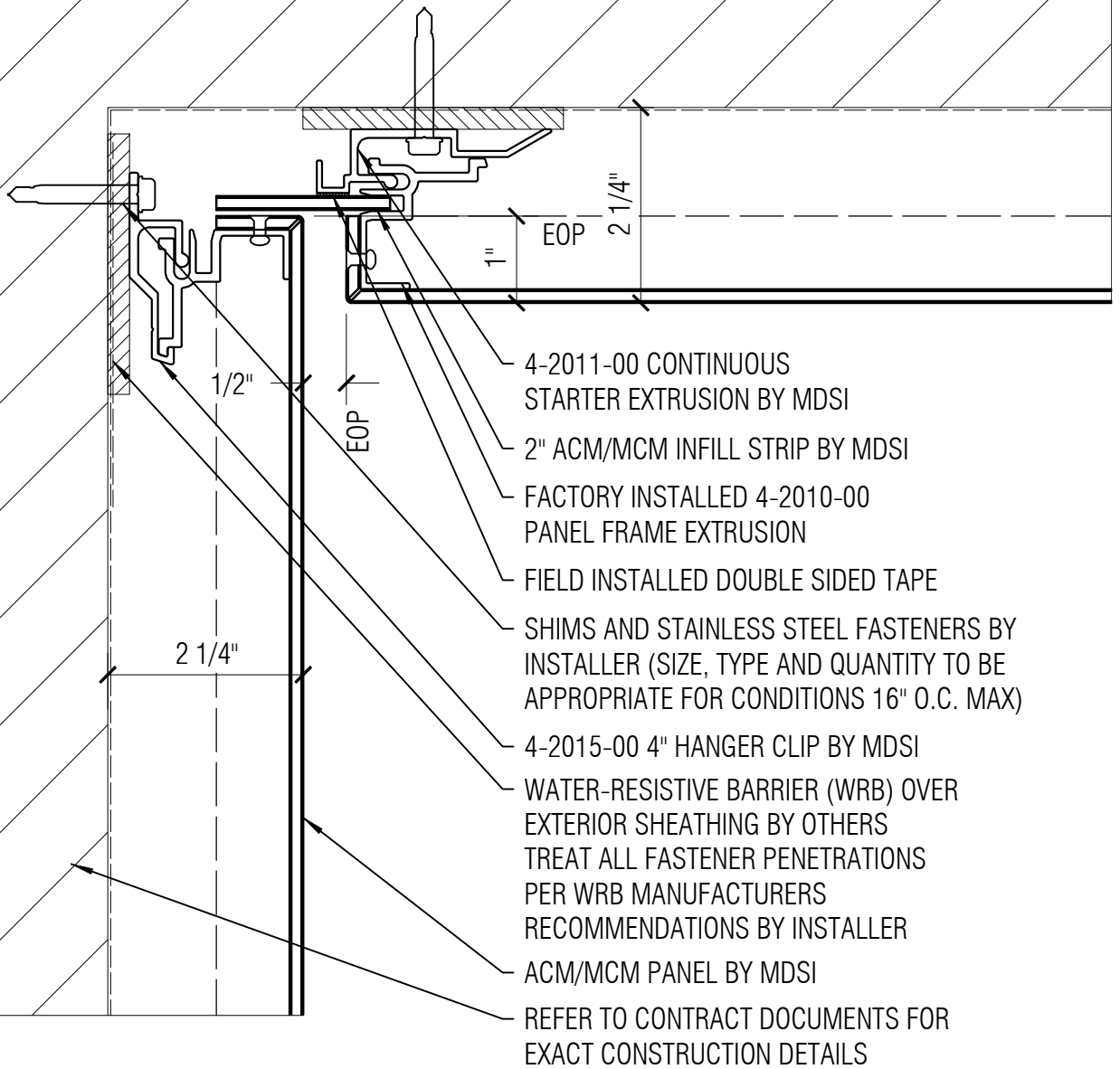


NOTE:  
AIR/MOISTURE BARRIER  
INSTALLER MUST PROVIDE  
WEATHER TIGHT SEAL AT  
ALL BARRIER TERMINATIONS

<p>THE INFORMATION CONTAINED IN THIS DRAWING IS THE SOLE PROPERTY OF METAL DESIGN SYSTEMS INC.. ANY REPRODUCTION, IN PART OR WHOLE, WITHOUT THE WRITTEN PERMISSION OF METAL DESIGN SYSTEMS INC. IS PROHIBITED.</p>  <p><b>METAL DESIGN SYSTEMS</b> DESIGNED FOR A PERFECT FIT</p>	<p><b>METAL DESIGN SYSTEMS</b></p>		<p>PROJECT: <b>SERIES 20 DETAILS</b></p>			
	<p>4150 C Street S.W. Cedar Rapids, Ia. 52404 Ph. (319) 362-7454</p>		<p>DRAWING DESCRIPTION: <b>OUTSIDE CORNER DETAIL</b></p>			
	<p>MATERIAL:</p>		<p>PROJECT NUMBER:</p>	<p>DRAWING NUMBER: <b>S20-MCM-04A</b></p>	<p>DATE: <b>10/1/18</b></p>	
			<p>SCALE: <b>6" = 1'-0"</b></p>	<p>DRAWN BY: <b>BSC</b></p>		



<p>THE INFORMATION CONTAINED IN THIS DRAWING IS THE SOLE PROPERTY OF METAL DESIGN SYSTEMS INC.. ANY REPRODUCTION, IN PART OR WHOLE, WITHOUT THE WRITTEN PERMISSION OF METAL DESIGN SYSTEMS INC. IS PROHIBITED.</p>  <p><b>METAL DESIGN SYSTEMS</b> DESIGNED FOR A PERFECT FIT</p>	<p><b>METAL DESIGN SYSTEMS</b></p>		<p>PROJECT: <b>SERIES 20 DETAILS</b></p>			
	<p>4150 C Street S.W. Cedar Rapids, Ia. 52404 Ph. (319) 362-7454</p>		<p>DRAWING DESCRIPTION: <b>OUTSIDE CORNER DETAIL</b></p>			
	<p>MATERIAL:</p>		<p>PROJECT NUMBER:</p>	<p>DRAWING NUMBER: <b>S20-MCM-04B</b></p>	<p>DATE: <b>10/1/18</b></p>	
			<p>SCALE: <b>6" = 1'-0"</b></p>	<p>DRAWN BY: <b>BSC</b></p>		



**NOTE:**  
 AIR/MOISTURE BARRIER  
 INSTALLER MUST PROVIDE  
 WEATHER TIGHT SEAL AT  
 ALL BARRIER TERMINATIONS

THE INFORMATION CONTAINED IN THIS DRAWING IS THE SOLE PROPERTY OF METAL DESIGN SYSTEMS INC.. ANY REPRODUCTION, IN PART OR WHOLE, WITHOUT THE WRITTEN PERMISSION OF METAL DESIGN SYSTEMS INC. IS PROHIBITED.



**METAL DESIGN SYSTEMS**  
 4150 C Street S.W.  
 Cedar Rapids, Ia. 52404  
 Ph. (319) 362-7454

MATERIAL:

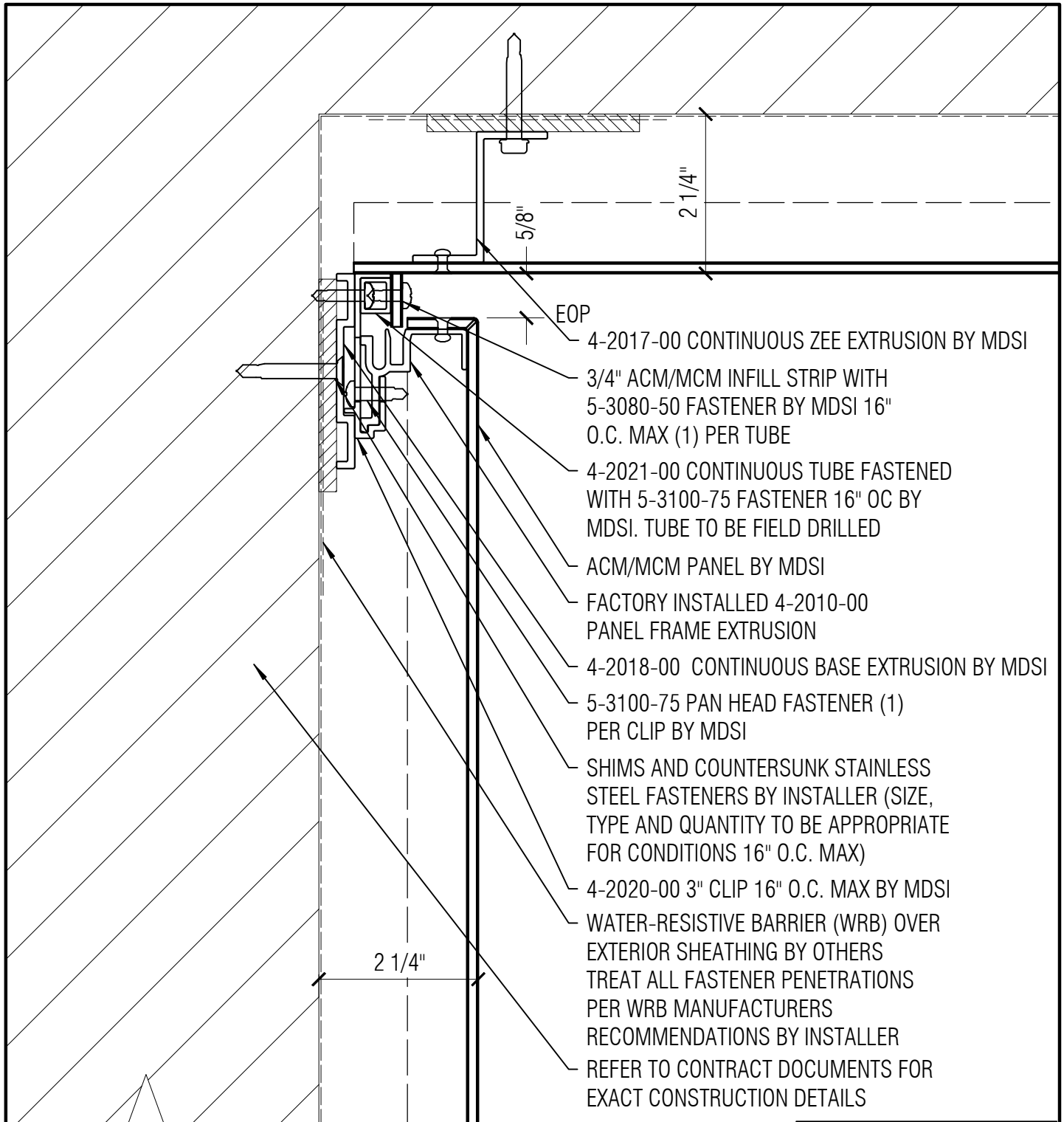
PROJECT:  
**SERIES 20 DETAILS**

DRAWING DESCRIPTION:  
**INSIDE CORNER DETAIL (STD.)**

PROJECT NUMBER:	DRAWING NUMBER: <b>S20-MCM-05A</b>	DATE: <b>10/1/18</b>
-----------------	---------------------------------------	-------------------------

SCALE:  
**6" = 1'-0"**

DRAWN BY:  
**BSC**

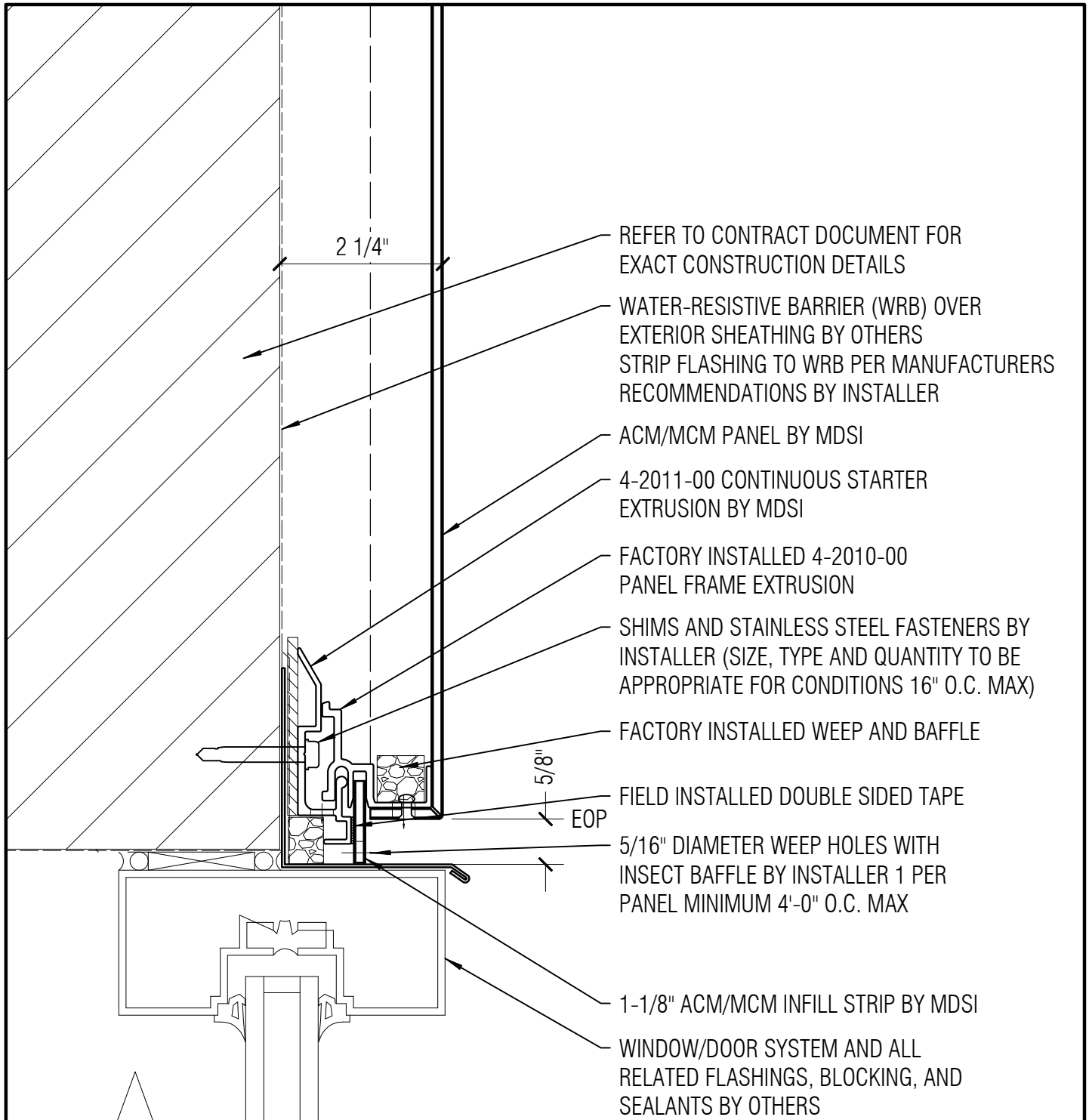


- EOP
- 4-2017-00 CONTINUOUS ZEE EXTRUSION BY MDSI
- 3/4" ACM/MCM INFILL STRIP WITH 5-3080-50 FASTENER BY MDSI 16" O.C. MAX (1) PER TUBE
- 4-2021-00 CONTINUOUS TUBE FASTENED WITH 5-3100-75 FASTENER 16" OC BY MDSI. TUBE TO BE FIELD DRILLED
- ACM/MCM PANEL BY MDSI
- FACTORY INSTALLED 4-2010-00 PANEL FRAME EXTRUSION
- 4-2018-00 CONTINUOUS BASE EXTRUSION BY MDSI
- 5-3100-75 PAN HEAD FASTENER (1) PER CLIP BY MDSI
- SHIMS AND COUNTERSUNK STAINLESS STEEL FASTENERS BY INSTALLER (SIZE, TYPE AND QUANTITY TO BE APPROPRIATE FOR CONDITIONS 16" O.C. MAX)
- 4-2020-00 3" CLIP 16" O.C. MAX BY MDSI
- WATER-RESISTIVE BARRIER (WRB) OVER EXTERIOR SHEATHING BY OTHERS
- TREAT ALL FASTENER PENETRATIONS PER WRB MANUFACTURERS RECOMMENDATIONS BY INSTALLER
- REFER TO CONTRACT DOCUMENTS FOR EXACT CONSTRUCTION DETAILS

**NOTE:**  
 AIR/MOISTURE BARRIER  
 INSTALLER MUST PROVIDE  
 WEATHER TIGHT SEAL AT  
 ALL BARRIER TERMINATIONS

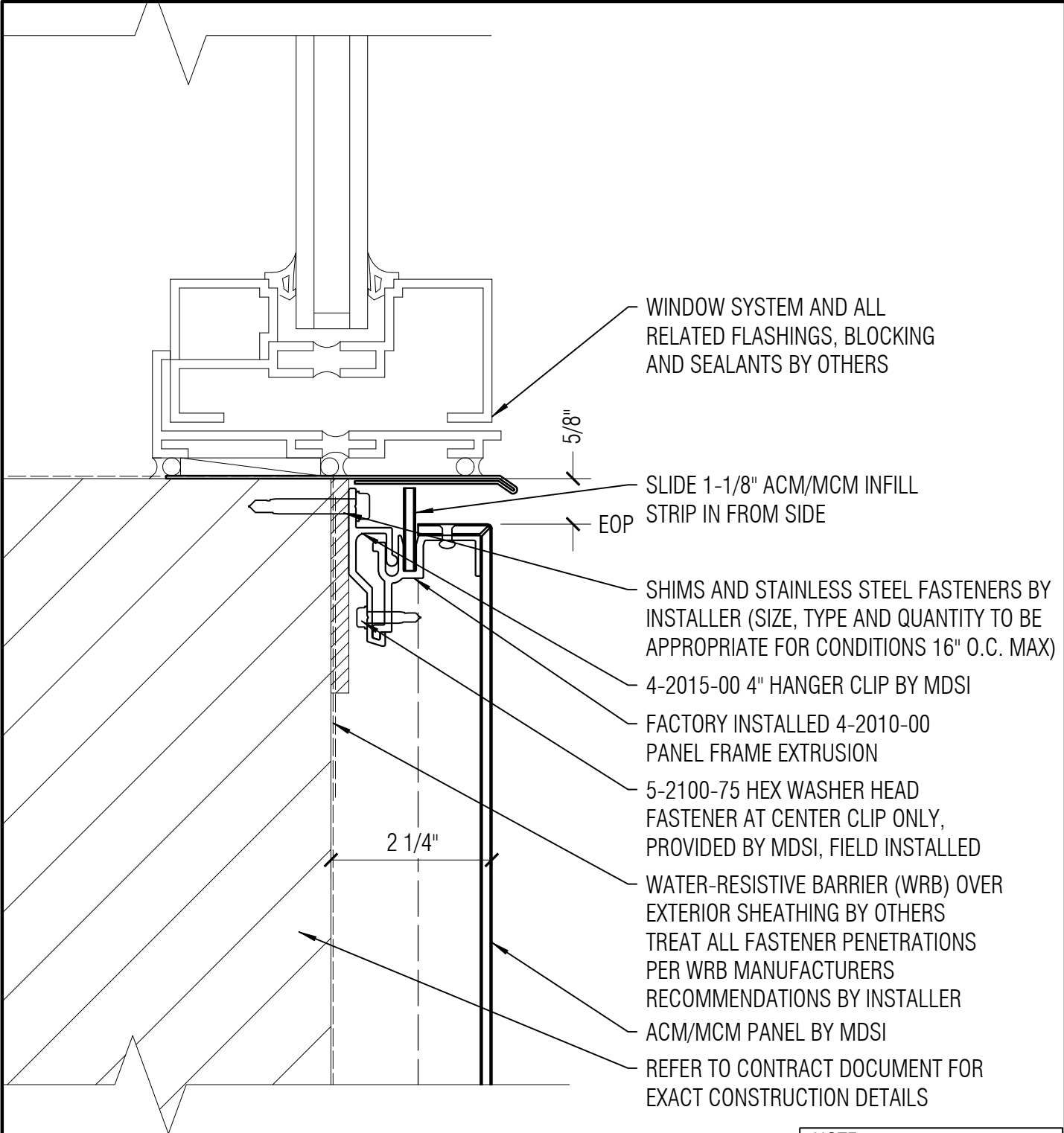
<p>THE INFORMATION CONTAINED IN THIS DRAWING IS THE SOLE PROPERTY OF METAL DESIGN SYSTEMS INC.. ANY REPRODUCTION, IN PART OR WHOLE, WITHOUT THE WRITTEN PERMISSION OF METAL DESIGN SYSTEMS INC. IS PROHIBITED.</p>  <p><b>METAL DESIGN SYSTEMS</b>  <small>DESIGNED FOR A PERFECT FIT</small></p>	<p><b>METAL DESIGN SYSTEMS</b></p>		<p>PROJECT: <b>SERIES 20 DETAILS</b></p>			
	<p>4150 C Street S.W.                  Cedar Rapids, Ia. 52404                  Ph. (319) 362-7454</p>		<p>DRAWING DESCRIPTION: <b>INSIDE CORNER DETAIL (OPT.)</b></p>			
	<p>MATERIAL:</p>		<p>PROJECT NUMBER:</p>	<p>DRAWING NUMBER: <b>S20-MCM-05B</b></p>	<p>DATE: <b>10/1/18</b></p>	
			<p>SCALE: <b>6" = 1'-0"</b></p>	<p>DRAWN BY: <b>BSC</b></p>		





NOTE:  
AIR/MOISTURE BARRIER  
INSTALLER MUST PROVIDE  
WEATHER TIGHT SEAL AT  
ALL BARRIER TERMINATIONS

<p>THE INFORMATION CONTAINED IN THIS DRAWING IS THE SOLE PROPERTY OF METAL DESIGN SYSTEMS INC.. ANY REPRODUCTION, IN PART OR WHOLE, WITHOUT THE WRITTEN PERMISSION OF METAL DESIGN SYSTEMS INC. IS PROHIBITED.</p>  <p><b>METAL DESIGN SYSTEMS</b> DESIGNED FOR A PERFECT FIT</p>	<p><b>METAL DESIGN SYSTEMS</b></p>		<p>PROJECT: <b>SERIES 20 DETAILS</b></p>			
	<p>4150 C Street S.W. Cedar Rapids, Ia. 52404 Ph. (319) 362-7454</p>		<p>DRAWING DESCRIPTION: <b>WINDOW/DOOR HEAD DETAIL (STD.)</b></p>			
	<p>MATERIAL:</p>		<p>PROJECT NUMBER:</p>	<p>DRAWING NUMBER: <b>S20-MCM-06</b></p>	<p>DATE: <b>10/1/18</b></p>	
			<p>SCALE: <b>6" = 1'-0"</b></p>	<p>DRAWN BY: <b>BSC</b></p>		



WINDOW SYSTEM AND ALL RELATED FLASHINGS, BLOCKING AND SEALANTS BY OTHERS

SLIDE 1-1/8" ACM/MCM INFILL STRIP IN FROM SIDE

SHIMS AND STAINLESS STEEL FASTENERS BY INSTALLER (SIZE, TYPE AND QUANTITY TO BE APPROPRIATE FOR CONDITIONS 16" O.C. MAX)

4-2015-00 4" HANGER CLIP BY MDSI

FACTORY INSTALLED 4-2010-00 PANEL FRAME EXTRUSION


5-2100-75 HEX WASHER HEAD FASTENER AT CENTER CLIP ONLY, PROVIDED BY MDSI, FIELD INSTALLED

WATER-RESISTIVE BARRIER (WRB) OVER EXTERIOR SHEATHING BY OTHERS TREAT ALL FASTENER PENETRATIONS PER WRB MANUFACTURERS RECOMMENDATIONS BY INSTALLER

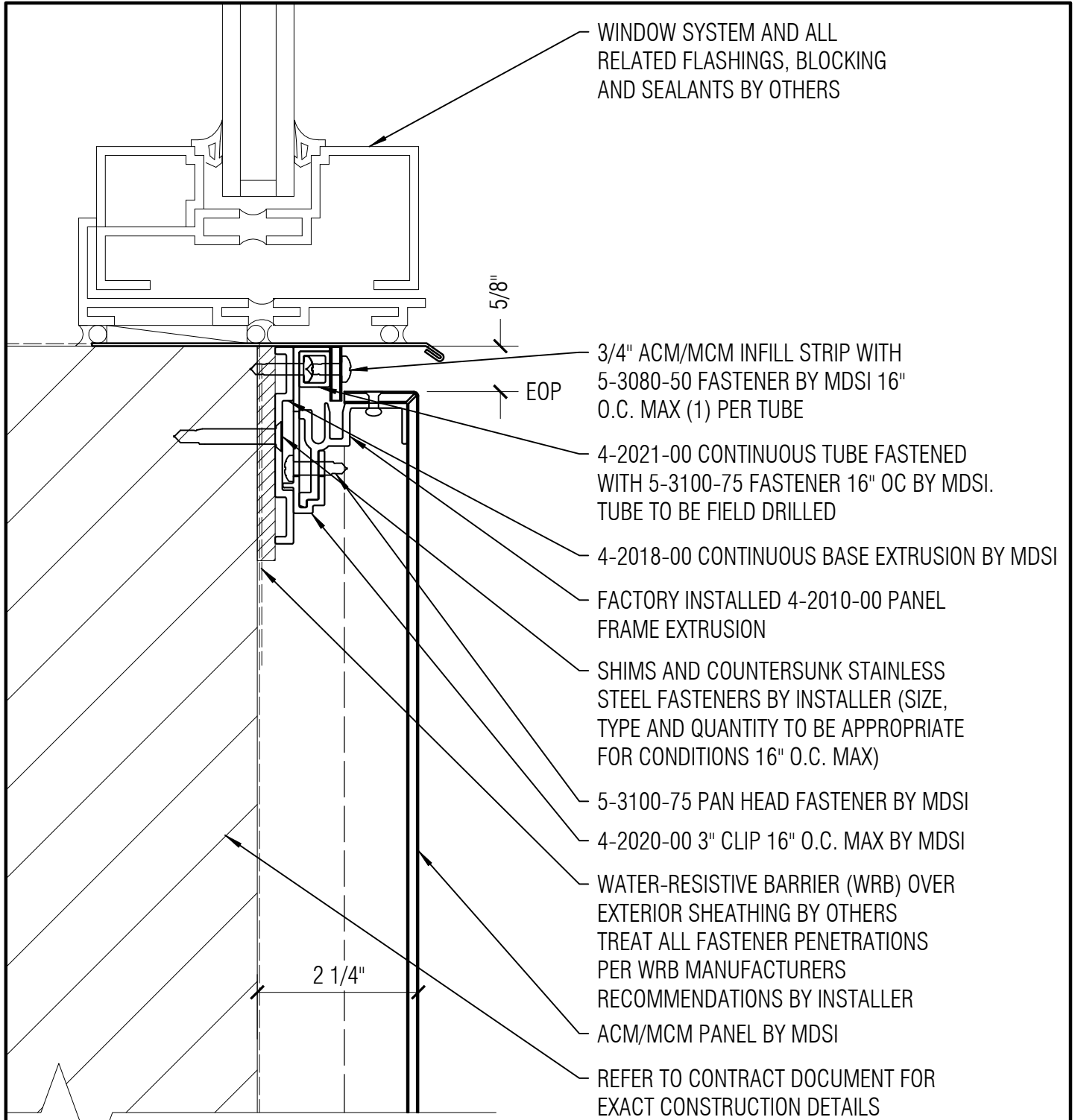
ACM/MCM PANEL BY MDSI

REFER TO CONTRACT DOCUMENT FOR EXACT CONSTRUCTION DETAILS

**NOTE:**  
AIR/MOISTURE BARRIER INSTALLER MUST PROVIDE WEATHER TIGHT SEAL AT ALL BARRIER TERMINATIONS

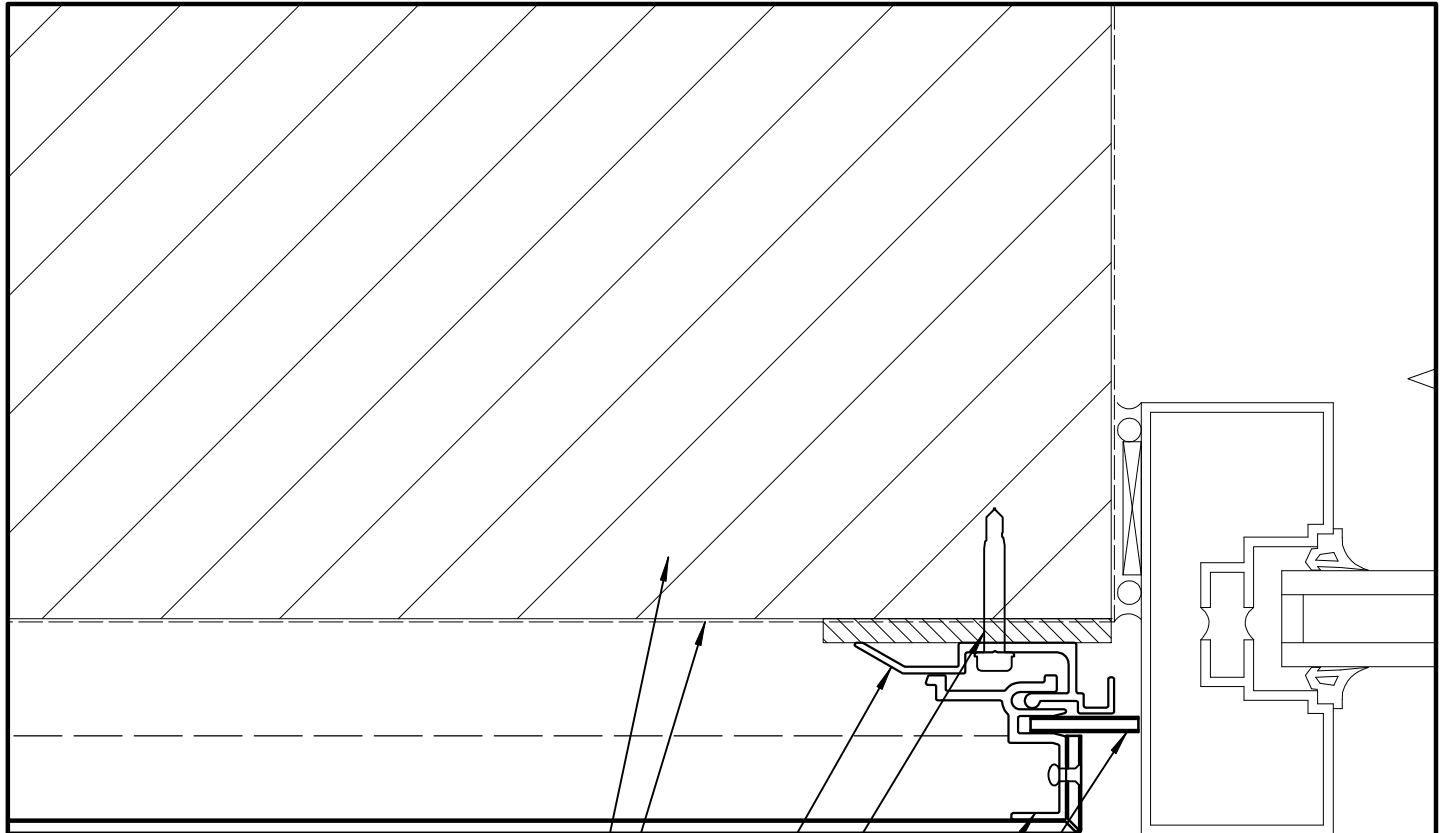
<p>THE INFORMATION CONTAINED IN THIS DRAWING IS THE SOLE PROPERTY OF METAL DESIGN SYSTEMS INC.. ANY REPRODUCTION, IN PART OR WHOLE, WITHOUT THE WRITTEN PERMISSION OF METAL DESIGN SYSTEMS INC. IS PROHIBITED.</p>  <p><b>METAL DESIGN SYSTEMS</b> DESIGNED FOR A PERFECT FIT</p>	<p><b>METAL DESIGN SYSTEMS</b></p>		<p>PROJECT: <b>SERIES 20 DETAILS</b></p>			
	<p>4150 C Street S.W. Cedar Rapids, Ia. 52404 Ph. (319) 362-7454</p>		<p>DRAWING DESCRIPTION: <b>WINDOW SILL DETAIL (STD.)</b></p>			
	<p>MATERIAL:</p>		<p>PROJECT NUMBER:</p>	<p>DRAWING NUMBER: <b>S20-MCM-07A</b></p>	<p>DATE: <b>10/1/18</b></p>	
			<p>SCALE: <b>6" = 1'-0"</b></p>	<p>DRAWN BY: <b>BSC</b></p>		

T:\Company Shared Folders\Tech\System Info\Series 20 rethink\Series 20 Rethink Details\New Series 20 for Rhino Details (website only not for modeling).3dm page 11 of 30 printed 8/29/2019 6:59 last saved 8/29/2019 6:58



NOTE:  
 AIR/MOISTURE BARRIER  
 INSTALLER MUST PROVIDE  
 WEATHER TIGHT SEAL AT  
 ALL BARRIER TERMINATIONS

<p>THE INFORMATION CONTAINED IN THIS DRAWING IS THE SOLE PROPERTY OF METAL DESIGN SYSTEMS INC.. ANY REPRODUCTION, IN PART OR WHOLE, WITHOUT THE WRITTEN PERMISSION OF METAL DESIGN SYSTEMS INC. IS PROHIBITED.</p>  <p><b>METAL DESIGN SYSTEMS</b>  <small>DESIGNED FOR A PERFECT FIT</small></p>	<p><b>METAL DESIGN SYSTEMS</b></p>		<p>PROJECT:  <b>SERIES 20 DETAILS</b></p>			
	<p>4150 C Street S.W.          Cedar Rapids, Ia. 52404          Ph. (319) 362-7454</p>		<p>DRAWING DESCRIPTION:  <b>WINDOW SILL DETAIL (OPT.)</b></p>			
	<p>MATERIAL:</p>		<p>PROJECT NUMBER:</p>	<p>DRAWING NUMBER:  <b>S20-MCM-07B</b></p>	<p>DATE:  <b>10/1/18</b></p>	
			<p>SCALE:  <b>6" = 1'-0"</b></p>	<p>DRAWN BY:  <b>BSC</b></p>		



- REFER TO CONTRACT DOCUMENT FOR EXACT CONSTRUCTION DETAILS
- WATER-RESISTIVE BARRIER (WRB) OVER EXTERIOR SHEATHING BY OTHERS
- TREAT ALL FASTENER PENETRATIONS PER WRB MANUFACTURERS RECOMMENDATIONS BY INSTALLER
- 4-2011-00 CONTINUOUS STARTER EXTRUSION BY MDSI
- SHIMS AND STAINLESS STEEL FASTENERS BY INSTALLER (SIZE, TYPE AND QUANTITY TO BE APPROPRIATE FOR CONDITIONS 16" O.C. MAX)
- ACM/MCM PANEL BY MDSI
- FACTORY INSTALLED 4-2010-00 PANEL FRAME EXTRUSION
- 1-1/8" ACM/MCM INFILL STRIP BY MDSI
- WINDOW SYSTEM AND ALL RELATED FLASHINGS, BLOCKING AND SEALANTS BY OTHERS

**NOTE:**  
 AIR/MOISTURE BARRIER INSTALLER MUST PROVIDE WEATHER TIGHT SEAL AT ALL BARRIER TERMINATIONS

<p>THE INFORMATION CONTAINED IN THIS DRAWING IS THE SOLE PROPERTY OF METAL DESIGN SYSTEMS INC.. ANY REPRODUCTION, IN PART OR WHOLE, WITHOUT THE WRITTEN PERMISSION OF METAL DESIGN SYSTEMS INC. IS PROHIBITED.</p>  <p><b>METAL DESIGN SYSTEMS</b>  <small>DESIGNED FOR A PERFECT FIT</small></p>	<p><b>METAL DESIGN SYSTEMS</b></p>		<p>PROJECT:  <b>SERIES 20 DETAILS</b></p>			
	<p>4150 C Street S.W.                  Cedar Rapids, Ia. 52404                  Ph. (319) 362-7454</p>		<p>DRAWING DESCRIPTION:  <b>WINDOW/DOOR JAMB DETAIL (STD.)</b></p>			
	<p>MATERIAL:</p>		<p>PROJECT NUMBER:</p>	<p>DRAWING NUMBER:  <b>S20-MCM-08A</b></p>	<p>DATE:  <b>10/1/18</b></p>	
			<p>SCALE:  <b>6" = 1'-0"</b></p>	<p>DRAWN BY:  <b>BSC</b></p>		

WINDOW SYSTEM AND ALL RELATED FLASHINGS, BLOCKING AND SEALANTS BY OTHERS

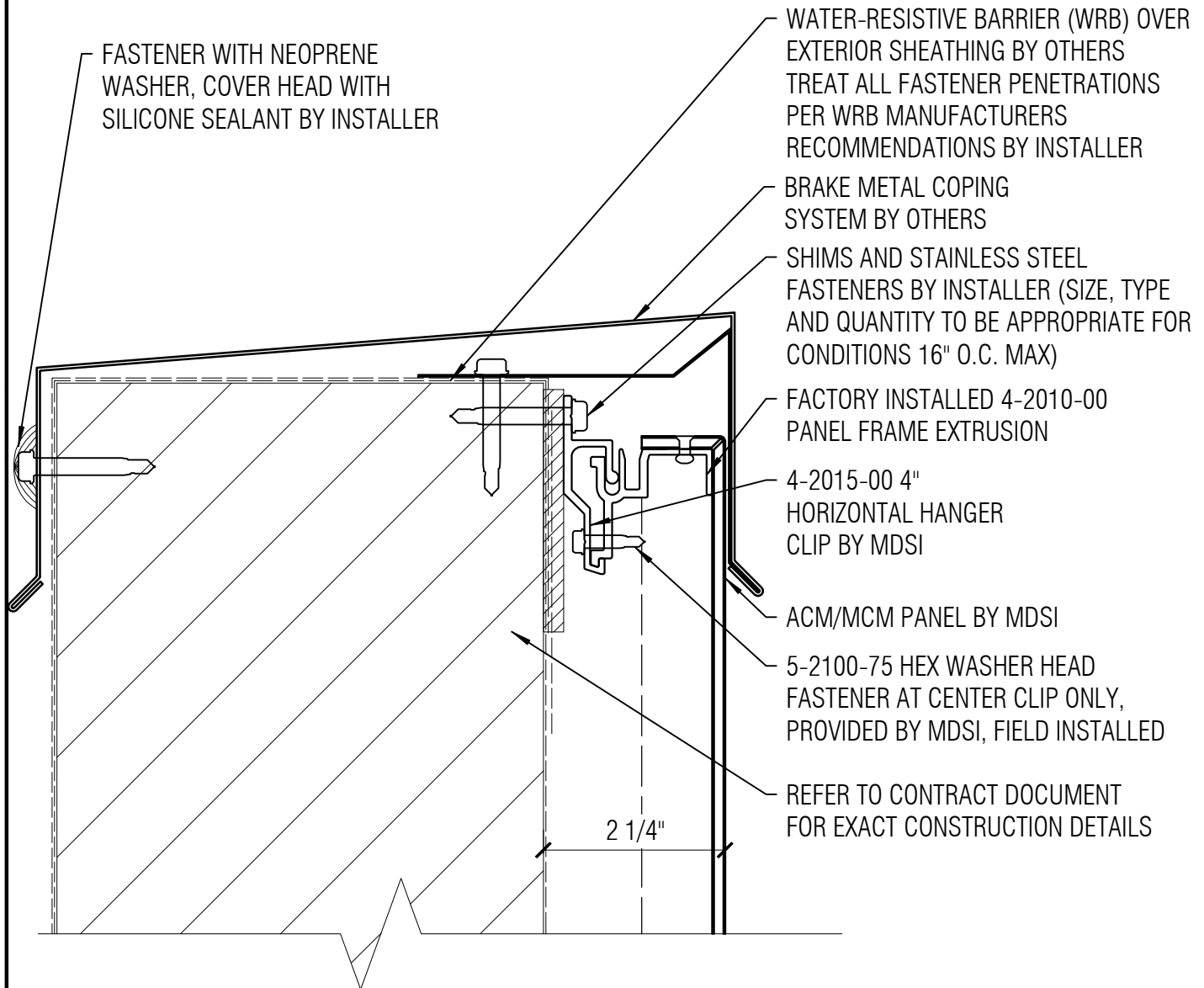
- REFER TO CONTRACT DOCUMENT FOR EXACT CONSTRUCTION DETAILS
- WATER-RESISTIVE BARRIER (WRB) OVER EXTERIOR SHEATHING BY OTHERS
- TREAT ALL FASTENER PENETRATIONS PER WRB MANUFACTURERS RECOMMENDATIONS BY INSTALLER
- SHIMS AND COUNTERSUNK STAINLESS STEEL FASTENERS BY INSTALLER (SIZE, TYPE AND QUANTITY TO BE APPROPRIATE FOR CONDITIONS 16" O.C. MAX)
- ACM/MCM PANEL BY MDSI
- 4-2018-00 CONTINUOUS BASE EXTRUSION BY MDSI
- 4-2020-00 3" CLIP 16" O.C. MAX BY MDSI
- 5-3100-75 PAN HEAD FASTENER BY MDSI
- FACTORY INSTALLED 4-2010-00 PANEL FRAME EXTRUSION
- 4-2021-00 CONTINUOUS TUBE FASTENED WITH 5-3100-75 FASTENER 16" OC BY MDSI. TUBE TO BE FIELD DRILLED
- 3/4" ACM/MCM INFILL STRIP WITH 5-3080-50 FASTENER BY MDSI 16" O.C. MAX (1) PER TUBE

EOP 5/8"

NOTE:  
AIR/MOISTURE BARRIER  
INSTALLER MUST PROVIDE  
WEATHER TIGHT SEAL AT  
ALL BARRIER TERMINATIONS

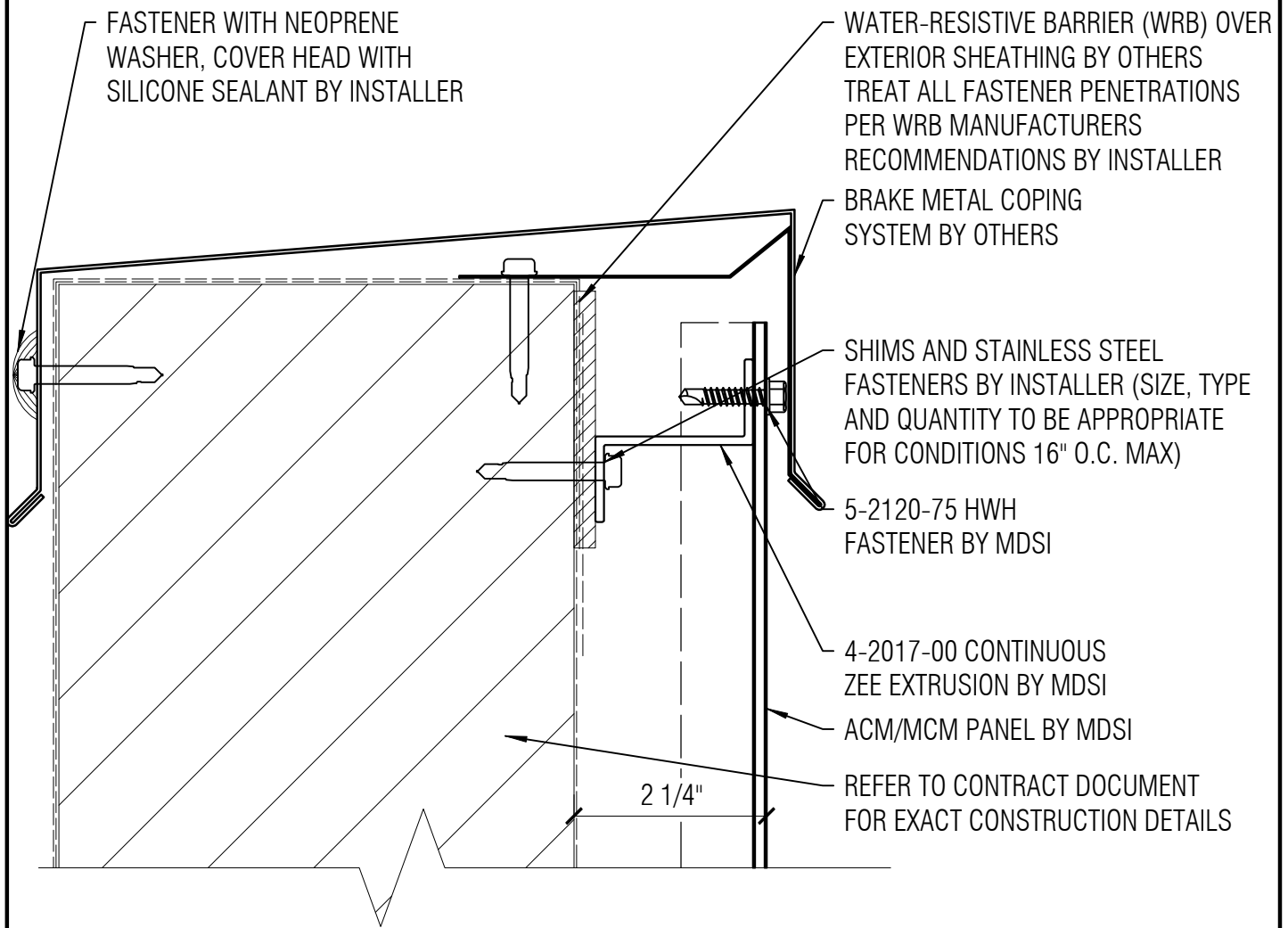
T:\Company Shared Folders\Tech\System Info\Series 20 rethink\Series 20 Rethink Details\New Series 20 for Rhino Details (website only not for modeling).3dm page 13 of 30 printed 8/29/2019 6:59 last saved 8/29/2019 6:58

<p>THE INFORMATION CONTAINED IN THIS DRAWING IS THE SOLE PROPERTY OF METAL DESIGN SYSTEMS INC.. ANY REPRODUCTION, IN PART OR WHOLE, WITHOUT THE WRITTEN PERMISSION OF METAL DESIGN SYSTEMS INC. IS PROHIBITED.</p>  <p><b>METAL DESIGN SYSTEMS</b> DESIGNED FOR A PERFECT FIT</p>	<p><b>METAL DESIGN SYSTEMS</b></p>		<p>PROJECT: <b>SERIES 20 DETAILS</b></p>			
	<p>4150 C Street S.W. Cedar Rapids, Ia. 52404 Ph. (319) 362-7454</p>		<p>DRAWING DESCRIPTION: <b>WINDOW/DOOR JAMB DETAIL (OPT.)</b></p>			
	<p>MATERIAL:</p>		<p>PROJECT NUMBER:</p>	<p>DRAWING NUMBER: <b>S20-MCM-08B</b></p>	<p>DATE: <b>10/1/18</b></p>	
			<p>SCALE: <b>6" = 1'-0"</b></p>	<p>DRAWN BY: <b>BSC</b></p>		



NOTE:  
 AIR/MOISTURE BARRIER  
 INSTALLER MUST PROVIDE  
 WEATHER TIGHT SEAL AT  
 ALL BARRIER TERMINATIONS

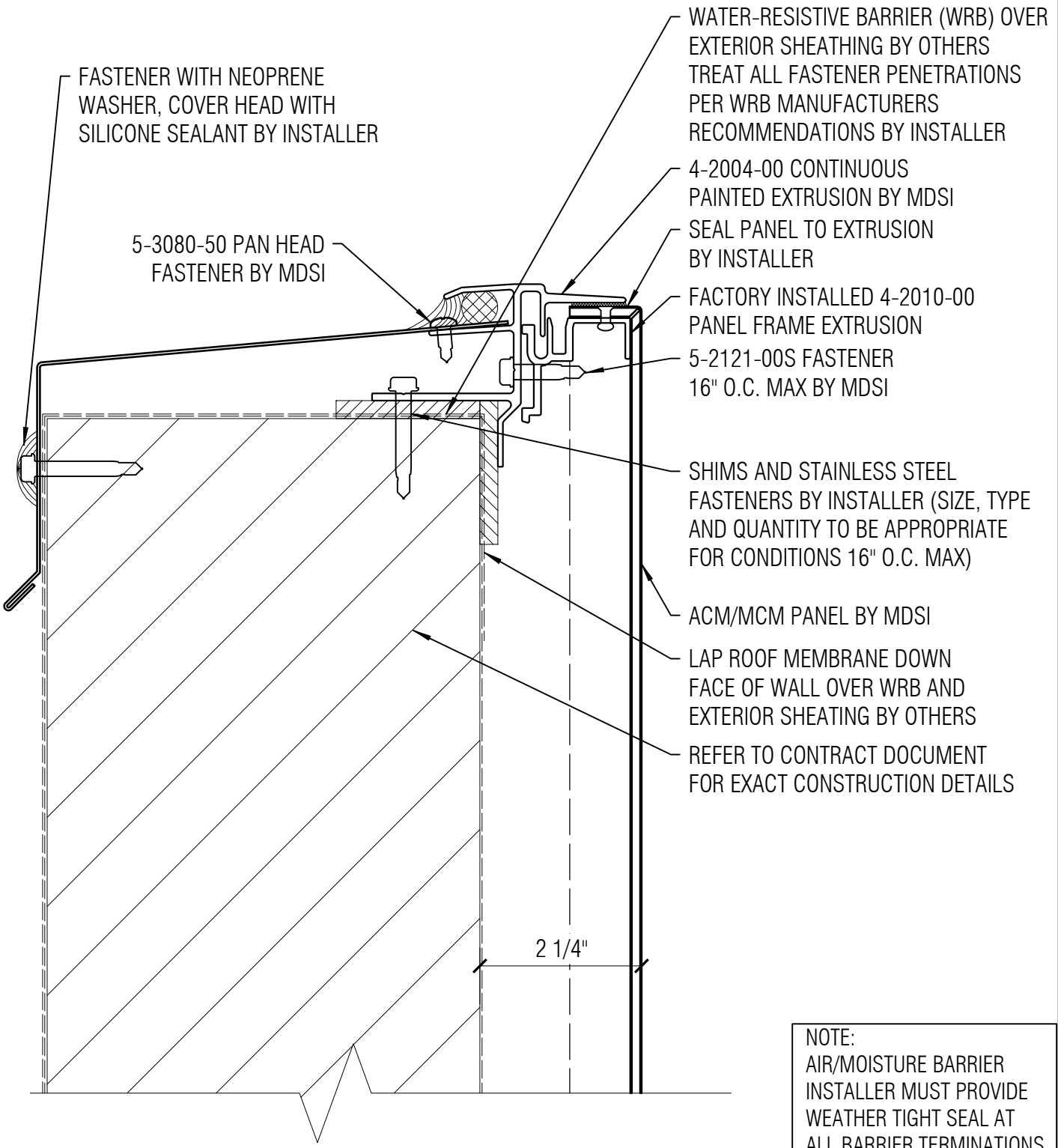
<p>THE INFORMATION CONTAINED IN THIS DRAWING IS THE SOLE PROPERTY OF METAL DESIGN SYSTEMS INC.. ANY REPRODUCTION, IN PART OR WHOLE, WITHOUT THE WRITTEN PERMISSION OF METAL DESIGN SYSTEMS INC. IS PROHIBITED.</p>  <p><b>METAL DESIGN SYSTEMS</b>  <small>DESIGNED FOR A PERFECT FIT</small></p>	<p><b>METAL DESIGN SYSTEMS</b></p>		<p>PROJECT:  <b>SERIES 20 DETAILS</b></p>			
	<p>4150 C Street S.W.                  Cedar Rapids, Ia. 52404                  Ph. (319) 362-7454</p>		<p>DRAWING DESCRIPTION:  <b>BRAKE METAL COPING DETAIL (STD.)</b></p>			
	<p>MATERIAL:</p>		<p>PROJECT NUMBER:</p>	<p>DRAWING NUMBER:  <b>S20-MCM-09A</b></p>	<p>DATE:  <b>10/1/18</b></p>	
			<p>SCALE:  <b>6" = 1'-0"</b></p>	<p>DRAWN BY:  <b>BSC</b></p>		




NOTE:  
AIR/MOISTURE BARRIER  
INSTALLER MUST PROVIDE  
WEATHER TIGHT SEAL AT  
ALL BARRIER TERMINATIONS

<p>THE INFORMATION CONTAINED IN THIS DRAWING IS THE SOLE PROPERTY OF METAL DESIGN SYSTEMS INC.. ANY REPRODUCTION, IN PART OR WHOLE, WITHOUT THE WRITTEN PERMISSION OF METAL DESIGN SYSTEMS INC. IS PROHIBITED.</p>  <p><b>METAL DESIGN SYSTEMS</b> DESIGNED FOR A PERFECT FIT</p>	<p><b>METAL DESIGN SYSTEMS</b></p>		<p>PROJECT: <b>SERIES 20 DETAILS</b></p>			
	<p>4150 C Street S.W. Cedar Rapids, Ia. 52404 Ph. (319) 362-7454</p>		<p>DRAWING DESCRIPTION: <b>BRAKE METAL COPING DETAIL (OPT.)</b></p>			
	<p>MATERIAL:</p>		<p>PROJECT NUMBER:</p>	<p>DRAWING NUMBER: <b>S20-MCM-09B</b></p>	<p>DATE: <b>10/1/18</b></p>	
	<p>SCALE: <b>6" = 1'-0"</b></p>		<p>DRAWN BY: <b>BSC</b></p>			

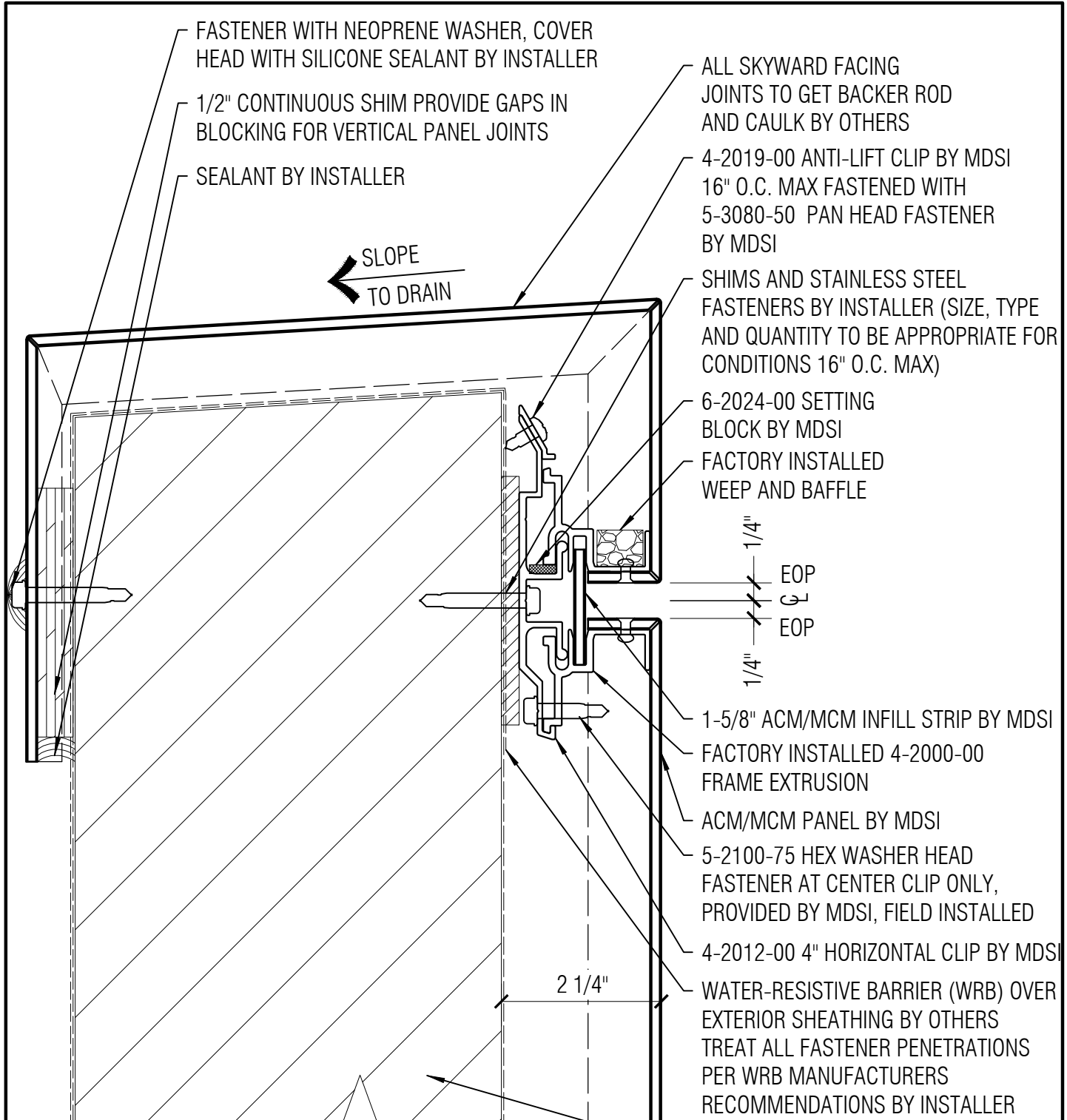




**NOTE:**  
AIR/MOISTURE BARRIER  
INSTALLER MUST PROVIDE  
WEATHER TIGHT SEAL AT  
ALL BARRIER TERMINATIONS

<p>THE INFORMATION CONTAINED IN THIS DRAWING IS THE SOLE PROPERTY OF METAL DESIGN SYSTEMS INC.. ANY REPRODUCTION, IN PART OR WHOLE, WITHOUT THE WRITTEN PERMISSION OF METAL DESIGN SYSTEMS INC. IS PROHIBITED.</p>  <p><b>METAL DESIGN SYSTEMS</b> DESIGNED FOR A PERFECT FIT</p>	<p><b>METAL DESIGN SYSTEMS</b></p>		<p>PROJECT: <b>SERIES 20 DETAILS</b></p>			
	<p>4150 C Street S.W. Cedar Rapids, Ia. 52404 Ph. (319) 362-7454</p>		<p>DRAWING DESCRIPTION: <b>PARAPET EXTRUSION DETAIL (OPT.)</b></p>			
	<p>MATERIAL:</p>		<p>PROJECT NUMBER:</p>	<p>DRAWING NUMBER: <b>S20-MCM-09C</b></p>	<p>DATE: <b>10/1/18</b></p>	
			<p>SCALE: <b>6" = 1'-0"</b></p>	<p>DRAWN BY: <b>BSC</b></p>		





FASTENER WITH NEOPRENE WASHER, COVER HEAD WITH SILICONE SEALANT BY INSTALLER  
 1/2" CONTINUOUS SHIM PROVIDE GAPS IN BLOCKING FOR VERTICAL PANEL JOINTS  
 SEALANT BY INSTALLER

ALL SKYWARD FACING JOINTS TO GET BACKER ROD AND CAULK BY OTHERS  
 4-2019-00 ANTI-LIFT CLIP BY MDSI 16" O.C. MAX FASTENED WITH 5-3080-50 PAN HEAD FASTENER BY MDSI  
 SHIMS AND STAINLESS STEEL FASTENERS BY INSTALLER (SIZE, TYPE AND QUANTITY TO BE APPROPRIATE FOR CONDITIONS 16" O.C. MAX)  
 6-2024-00 SETTING BLOCK BY MDSI  
 FACTORY INSTALLED WEEP AND BAFFLE  
 1/4" EOP  
 1/4" EOP  
 1-5/8" ACM/MCM INFILL STRIP BY MDSI  
 FACTORY INSTALLED 4-2000-00 FRAME EXTRUSION  
 ACM/MCM PANEL BY MDSI  
 5-2100-75 HEX WASHER HEAD FASTENER AT CENTER CLIP ONLY, PROVIDED BY MDSI, FIELD INSTALLED  
 4-2012-00 4" HORIZONTAL CLIP BY MDSI  
 WATER-RESISTIVE BARRIER (WRB) OVER EXTERIOR SHEATHING BY OTHERS TREAT ALL FASTENER PENETRATIONS PER WRB MANUFACTURERS RECOMMENDATIONS BY INSTALLER

SLOPE TO DRAIN

2 1/4"

NOTE:  
 AIR/MOISTURE BARRIER INSTALLER MUST PROVIDE WEATHER TIGHT SEAL AT ALL BARRIER TERMINATIONS

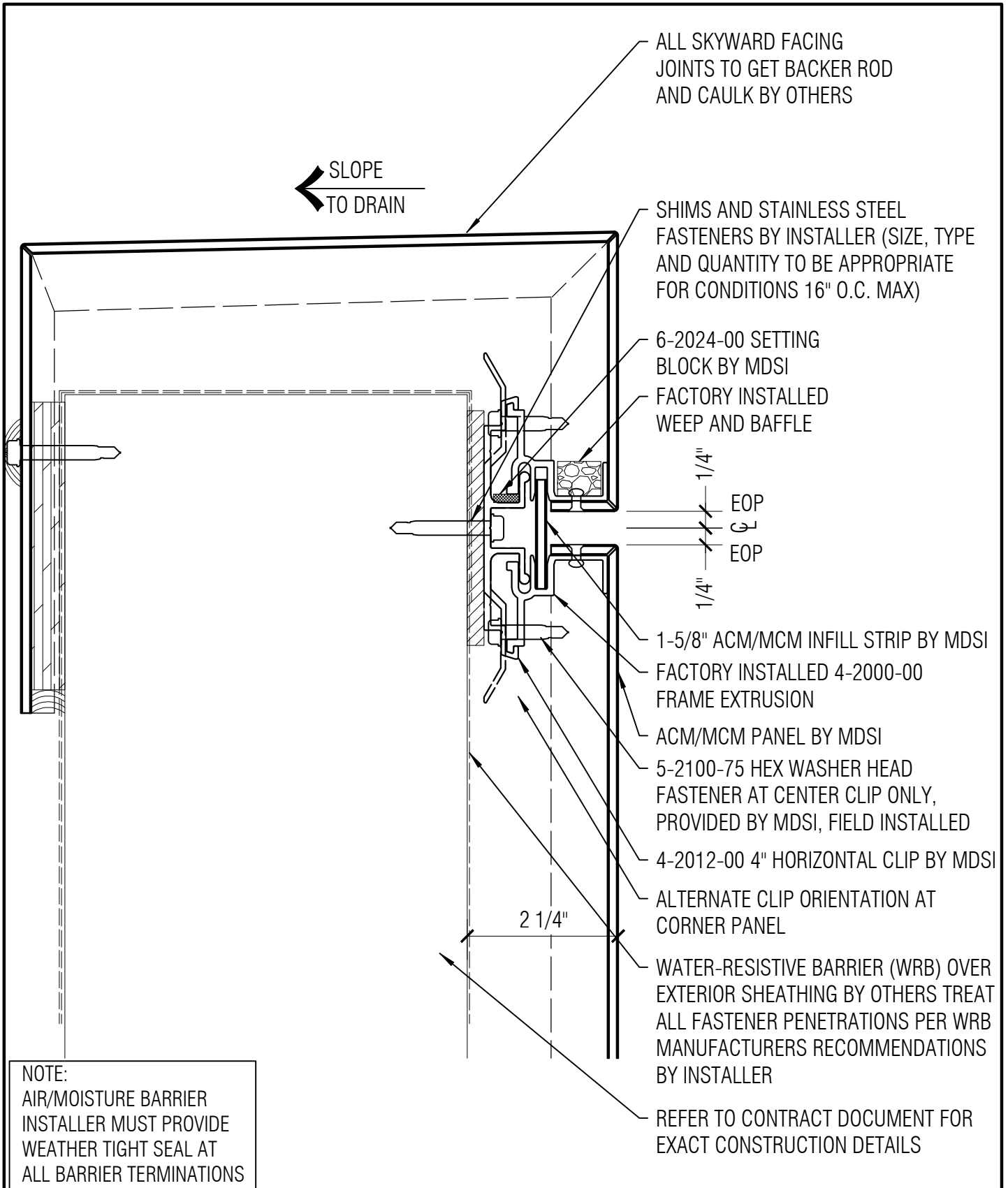
REFER TO CONTRACT DOCUMENT FOR EXACT CONSTRUCTION DETAILS

THE INFORMATION CONTAINED IN THIS DRAWING IS THE SOLE PROPERTY OF METAL DESIGN SYSTEMS INC.. ANY REPRODUCTION, IN PART OR WHOLE, WITHOUT THE WRITTEN PERMISSION OF METAL DESIGN SYSTEMS INC. IS PROHIBITED.



**METAL DESIGN SYSTEMS**  
 4150 C Street S.W.  
 Cedar Rapids, Ia. 52404  
 Ph. (319) 362-7454  
 MATERIAL:

PROJECT: SERIES 20 DETAILS		
DRAWING DESCRIPTION: ACM/MCM COPING DETAIL (STD.)		
PROJECT NUMBER:	DRAWING NUMBER: S20-MCM-10A	DATE: 10/1/18
SCALE: 6" = 1'-0"	DRAWN BY: BSC	



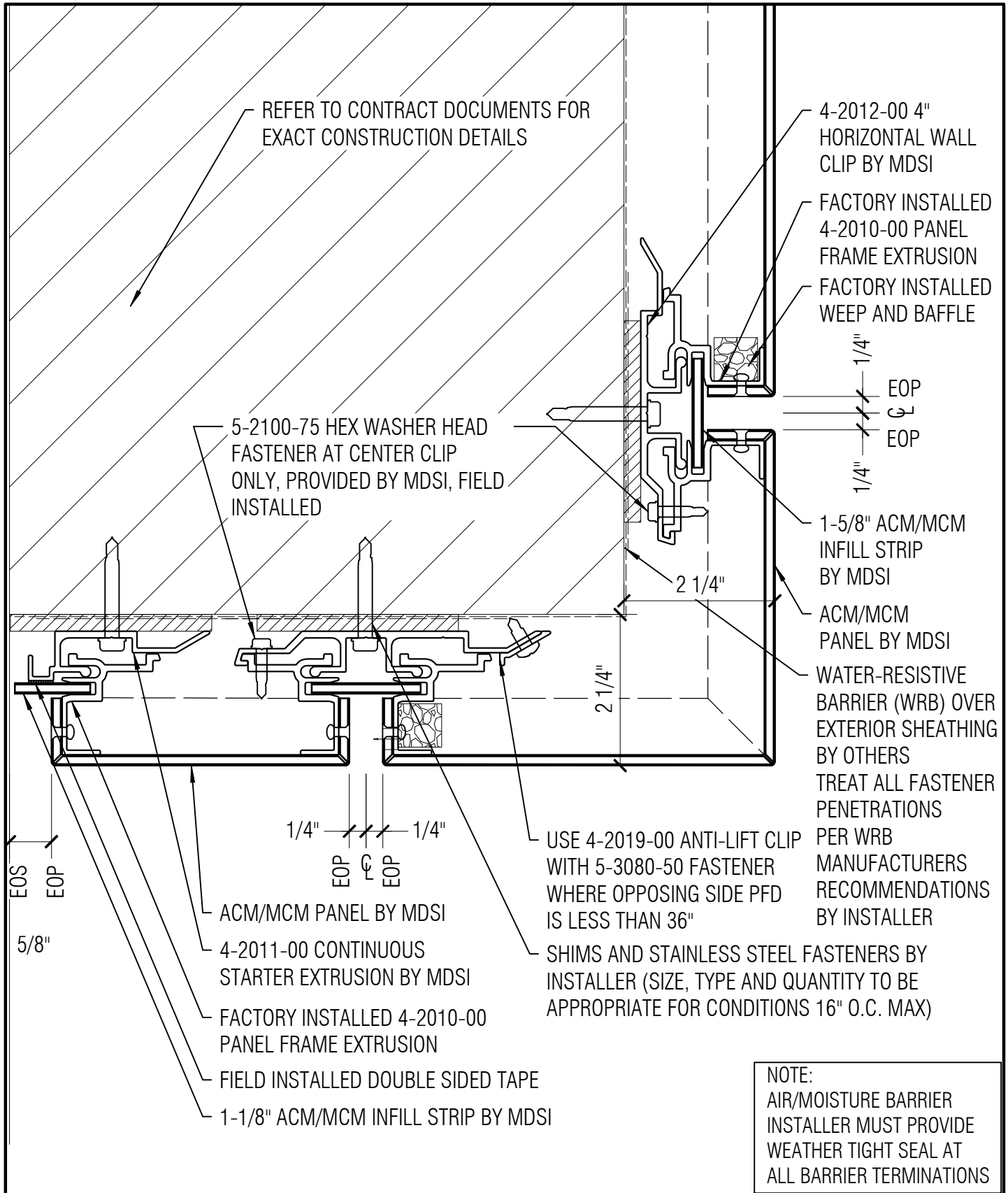
NOTE:  
AIR/MOISTURE BARRIER  
INSTALLER MUST PROVIDE  
WEATHER TIGHT SEAL AT  
ALL BARRIER TERMINATIONS

THE INFORMATION CONTAINED IN THIS DRAWING IS THE SOLE PROPERTY OF METAL DESIGN SYSTEMS INC.. ANY REPRODUCTION, IN PART OR WHOLE, WITHOUT THE WRITTEN PERMISSION OF METAL DESIGN SYSTEMS INC. IS PROHIBITED.




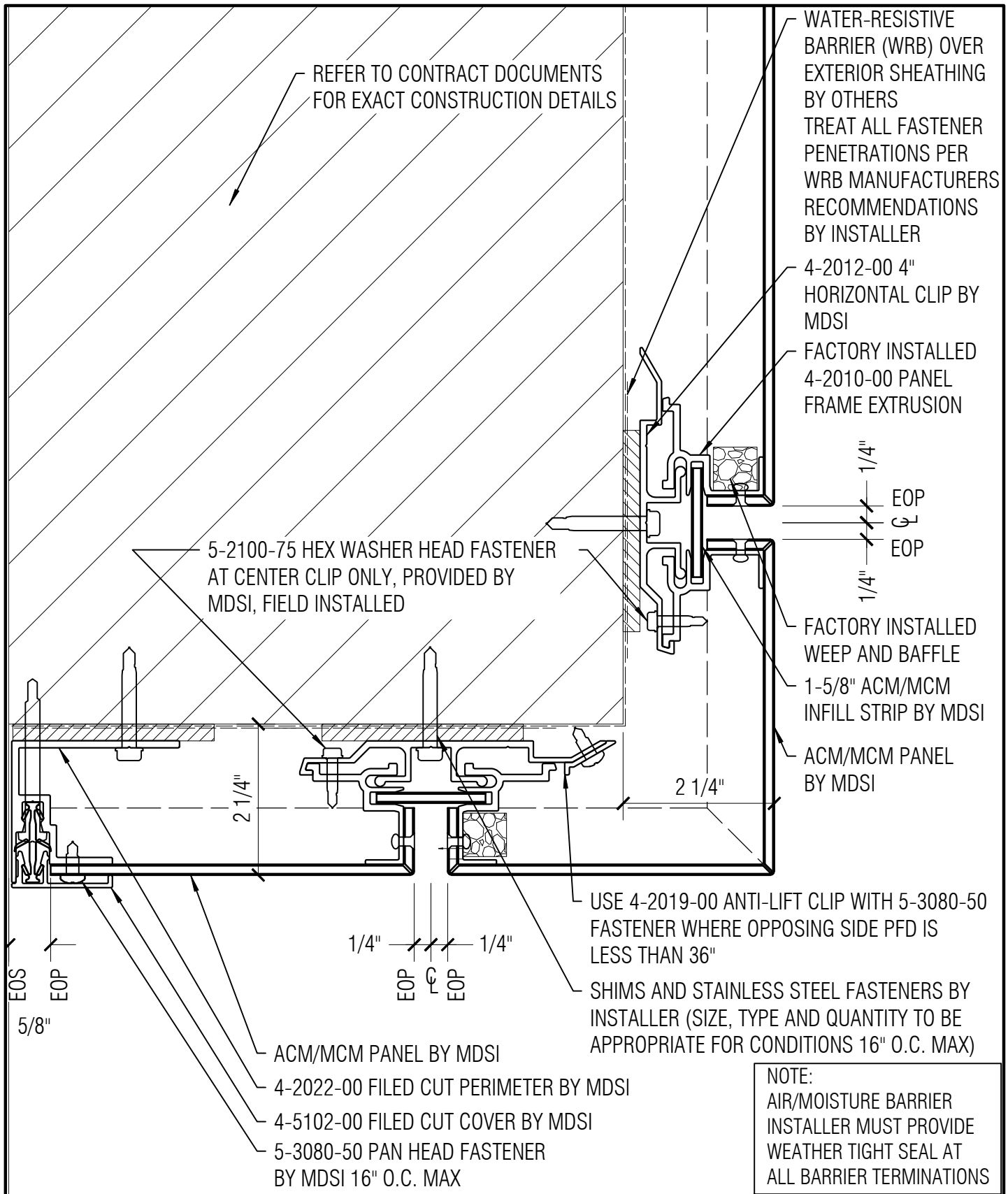
**METAL DESIGN SYSTEMS**  
4150 C Street S.W.  
Cedar Rapids, Ia. 52404  
Ph. (319) 362-7454  
MATERIAL:


PROJECT: SERIES 20 DETAILS		
DRAWING DESCRIPTION: ACM/MCM COPING DETAIL (STD.)		
PROJECT NUMBER:	DRAWING NUMBER: S20-MCM-10B	DATE: 10/1/18
SCALE: 6" = 1'-0"	DRAWN BY: BSC	

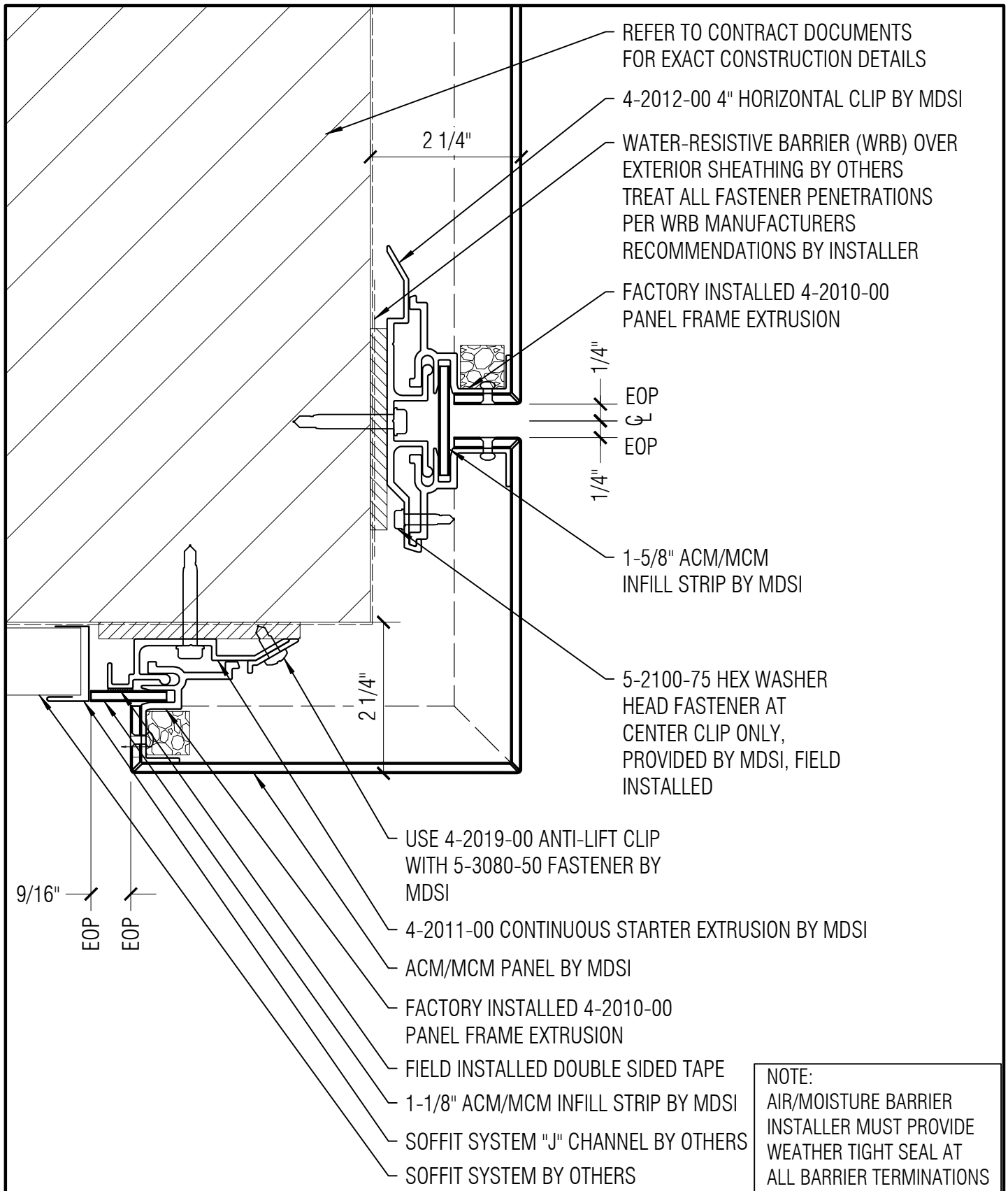


**NOTE:**  
AIR/MOISTURE BARRIER  
INSTALLER MUST PROVIDE  
WEATHER TIGHT SEAL AT  
ALL BARRIER TERMINATIONS


<p>THE INFORMATION CONTAINED IN THIS DRAWING IS THE SOLE PROPERTY OF METAL DESIGN SYSTEMS INC.. ANY REPRODUCTION, IN PART OR WHOLE, WITHOUT THE WRITTEN PERMISSION OF METAL DESIGN SYSTEMS INC. IS PROHIBITED.</p>  <p><b>METAL DESIGN SYSTEMS</b> DESIGNED FOR A PERFECT FIT</p>	<p><b>METAL DESIGN SYSTEMS</b></p>		<p>PROJECT: <b>SERIES 20 DETAILS</b></p>			
	<p>4150 C Street S.W. Cedar Rapids, Ia. 52404 Ph. (319) 362-7454</p>		<p>DRAWING DESCRIPTION: <b>ACM/MCM SOFFIT CONNECTION DETAIL</b></p>			
	<p>MATERIAL:</p>		<p>PROJECT NUMBER:</p>	<p>DRAWING NUMBER: <b>S20-MCM-11A</b></p>	<p>DATE: <b>10/1/18</b></p>	
			<p>SCALE: <b>6" = 1'-0"</b></p>	<p>DRAWN BY: <b>BSC</b></p>		

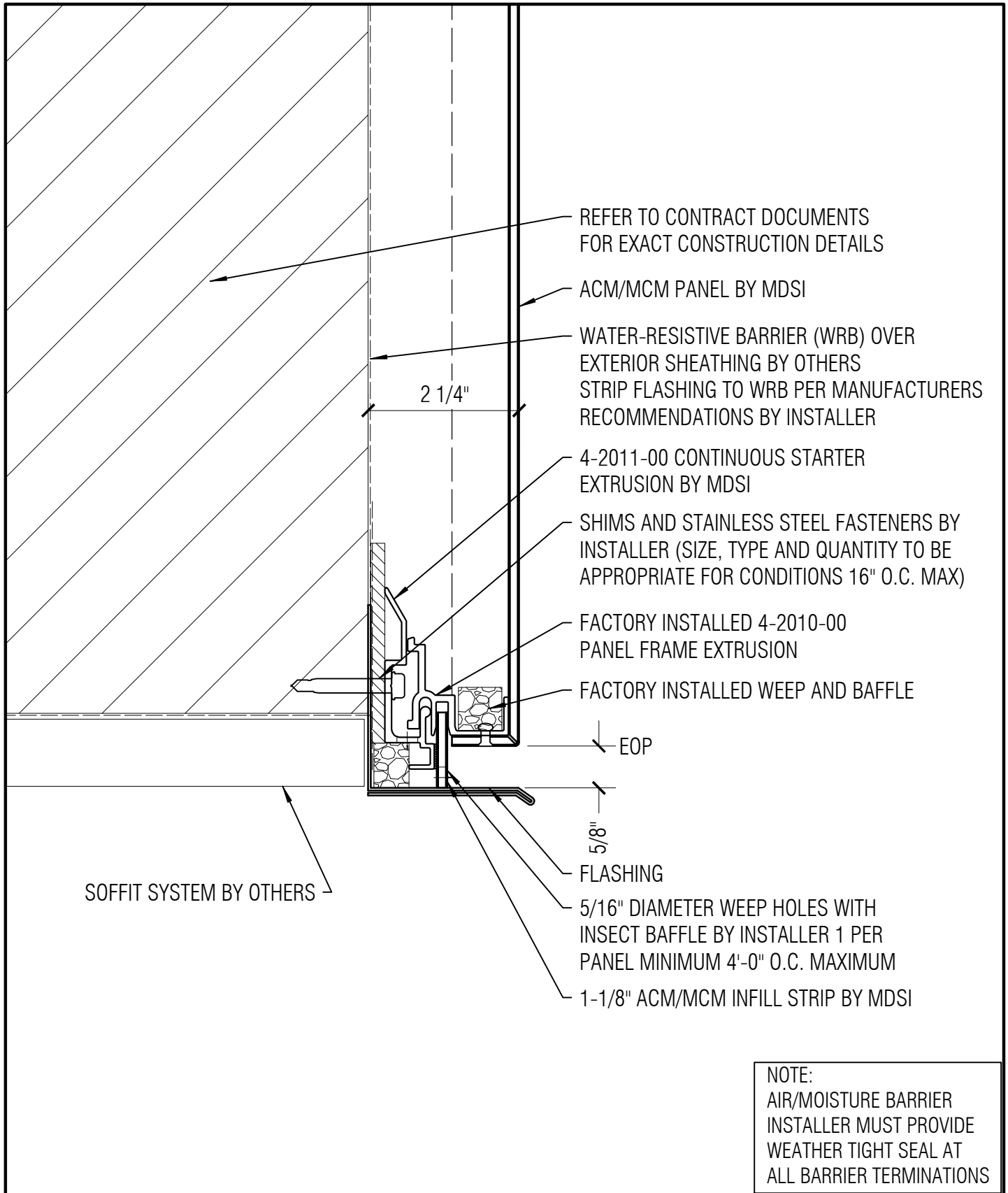


<p>THE INFORMATION CONTAINED IN THIS DRAWING IS THE SOLE PROPERTY OF METAL DESIGN SYSTEMS INC.. ANY REPRODUCTION, IN PART OR WHOLE, WITHOUT THE WRITTEN PERMISSION OF METAL DESIGN SYSTEMS INC. IS PROHIBITED.</p>  <p><b>METAL DESIGN SYSTEMS</b> DESIGNED FOR A PERFECT FIT</p>	<p><b>METAL DESIGN SYSTEMS</b></p>		<p>PROJECT: <b>SERIES 20 DETAILS</b></p>			
	<p>4150 C Street S.W. Cedar Rapids, Ia. 52404 Ph. (319) 362-7454</p>		<p>DRAWING DESCRIPTION: <b>ACM/MCM SOFFIT CONNECTION DETAIL</b></p>			
	<p>MATERIAL:</p>		<p>PROJECT NUMBER:</p>	<p>DRAWING NUMBER: <b>S20-MCM-11B</b></p>	<p>DATE: <b>10/1/18</b></p>	
			<p>SCALE: <b>6" = 1'-0"</b></p>	<p>DRAWN BY: <b>BSC</b></p>		



**NOTE:**  
AIR/MOISTURE BARRIER  
INSTALLER MUST PROVIDE  
WEATHER TIGHT SEAL AT  
ALL BARRIER TERMINATIONS

<p>THE INFORMATION CONTAINED IN THIS DRAWING IS THE SOLE PROPERTY OF METAL DESIGN SYSTEMS INC.. ANY REPRODUCTION, IN PART OR WHOLE, WITHOUT THE WRITTEN PERMISSION OF METAL DESIGN SYSTEMS INC. IS PROHIBITED.</p>  <p><b>METAL DESIGN SYSTEMS</b> DESIGNED FOR A PERFECT FIT</p>	<p><b>METAL DESIGN SYSTEMS</b></p>		<p>PROJECT: <b>SERIES 20 DETAILS</b></p>			
	<p>4150 C Street S.W. Cedar Rapids, Ia. 52404 Ph. (319) 362-7454</p>		<p>DRAWING DESCRIPTION: <b>SOFFIT CONNECTION DETAIL (STD.)</b></p>			
	<p>MATERIAL:</p>		<p>PROJECT NUMBER:</p>	<p>DRAWING NUMBER: <b>S20-MCM-12A</b></p>	<p>DATE: <b>10/1/18</b></p>	
			<p>SCALE: <b>6" = 1'-0"</b></p>	<p>DRAWN BY: <b>BSC</b></p>		



REFER TO CONTRACT DOCUMENTS FOR EXACT CONSTRUCTION DETAILS

ACM/MCM PANEL BY MDSI

WATER-RESISTIVE BARRIER (WRB) OVER EXTERIOR SHEATHING BY OTHERS STRIP FLASHING TO WRB PER MANUFACTURERS RECOMMENDATIONS BY INSTALLER

2 1/4"

4-2011-00 CONTINUOUS STARTER EXTRUSION BY MDSI

SHIMS AND STAINLESS STEEL FASTENERS BY INSTALLER (SIZE, TYPE AND QUANTITY TO BE APPROPRIATE FOR CONDITIONS 16" O.C. MAX)

FACTORY INSTALLED 4-2010-00 PANEL FRAME EXTRUSION

FACTORY INSTALLED WEEP AND BAFFLE

EOP

5/8"

FLASHING

SOFFIT SYSTEM BY OTHERS

5/16" DIAMETER WEEP HOLES WITH INSECT BAFFLE BY INSTALLER 1 PER PANEL MINIMUM 4'-0" O.C. MAXIMUM

1-1/8" ACM/MCM INFILL STRIP BY MDSI

NOTE:  
AIR/MOISTURE BARRIER  
INSTALLER MUST PROVIDE  
WEATHER TIGHT SEAL AT  
ALL BARRIER TERMINATIONS

THE INFORMATION CONTAINED IN THIS DRAWING IS THE SOLE PROPERTY OF METAL DESIGN SYSTEMS INC.. ANY REPRODUCTION, IN PART OR WHOLE, WITHOUT THE WRITTEN PERMISSION OF METAL DESIGN SYSTEMS INC. IS PROHIBITED.



**METAL DESIGN SYSTEMS**

4150 C Street S.W.  
Cedar Rapids, Ia. 52404  
Ph. (319) 362-7454

MATERIAL:

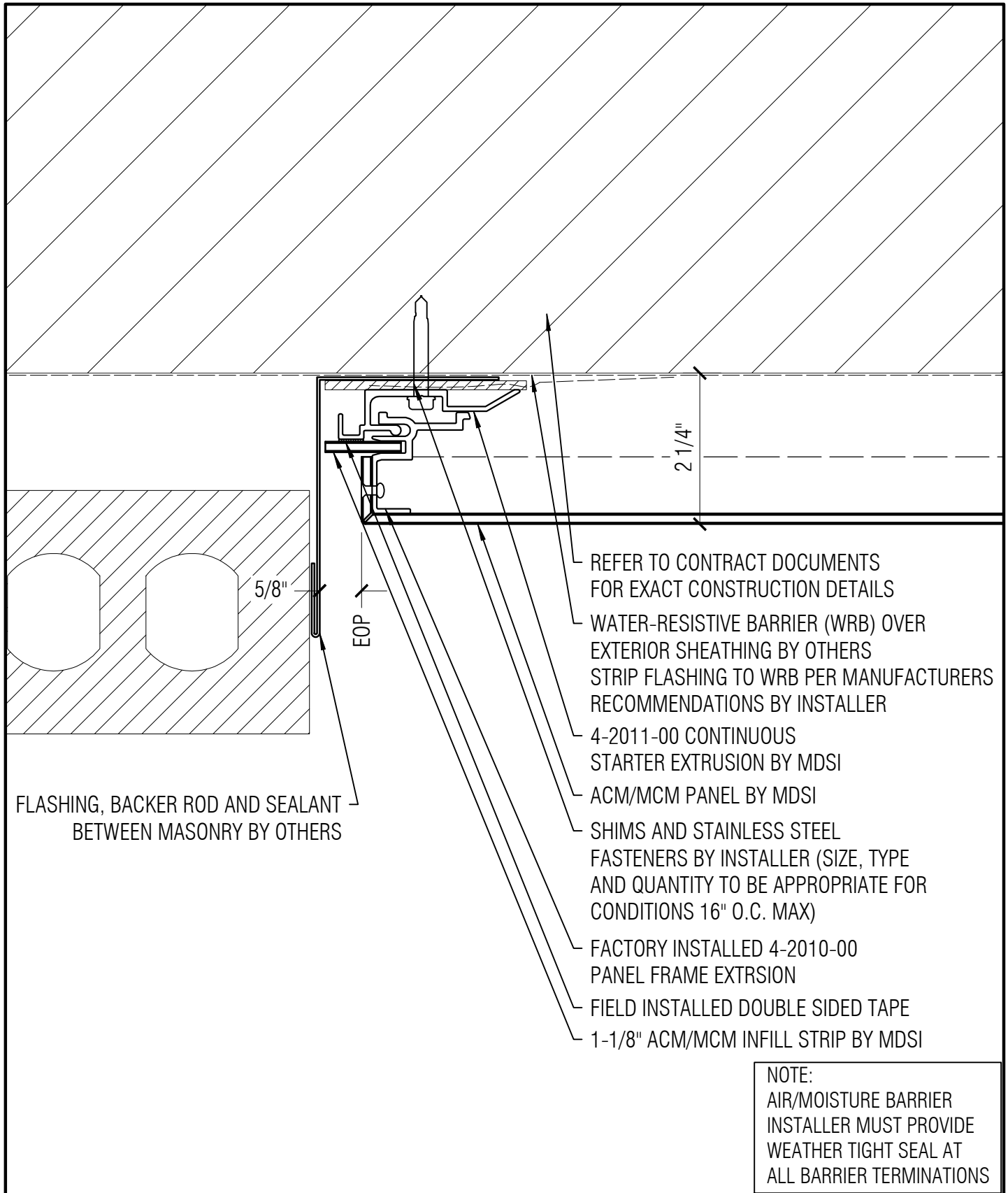
PROJECT:  
**SERIES 20 DETAILS**

DRAWING DESCRIPTION:  
**SOFFIT CONNECTION DETAIL (STD.)**


PROJECT NUMBER:	DRAWING NUMBER: <b>S20-MCM-12B</b>	DATE: <b>10/1/18</b>
-----------------	---------------------------------------	-------------------------

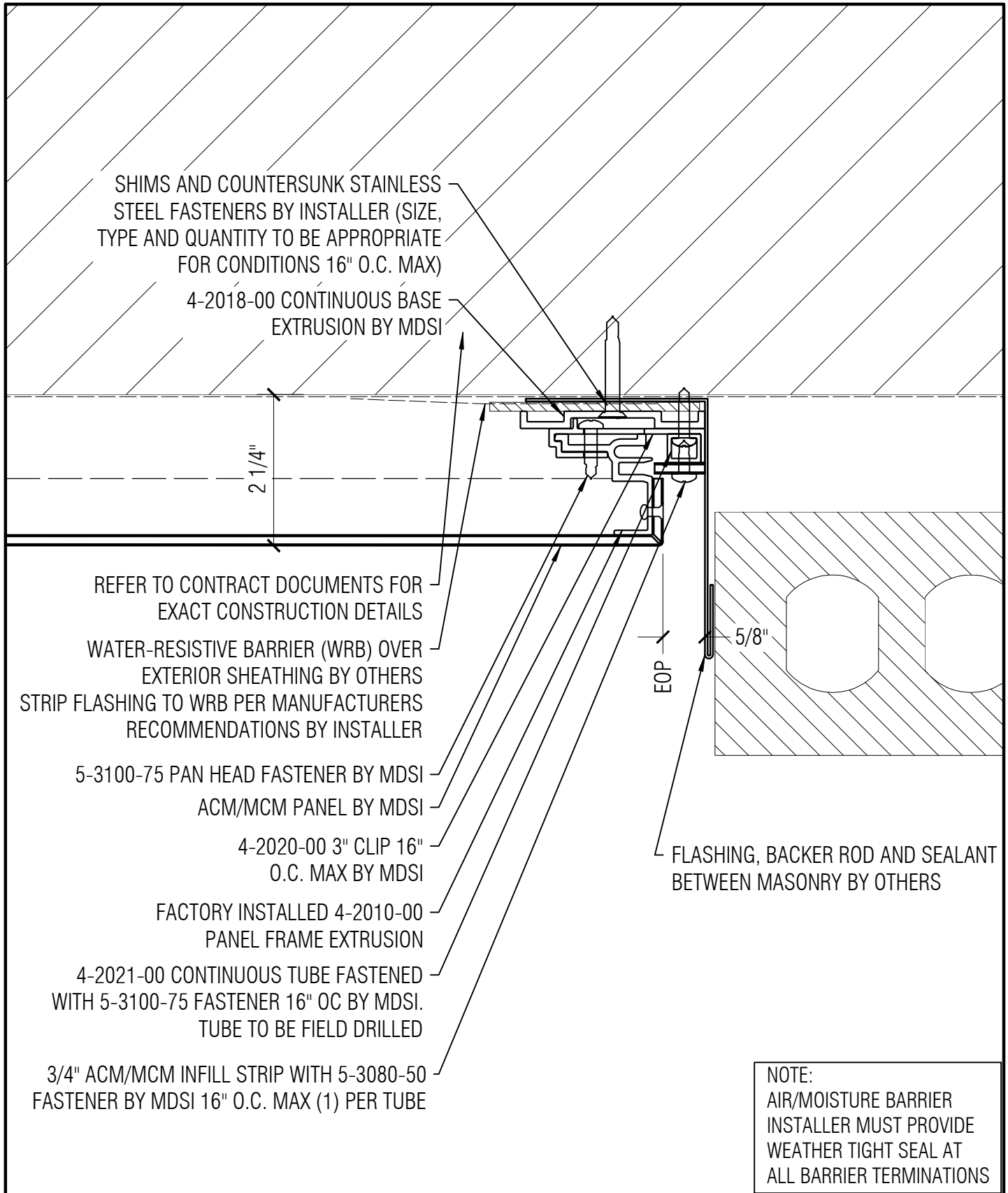
SCALE: <b>6" = 1'-0"</b>	DRAWN BY: <b>BSC</b>
-----------------------------	-------------------------






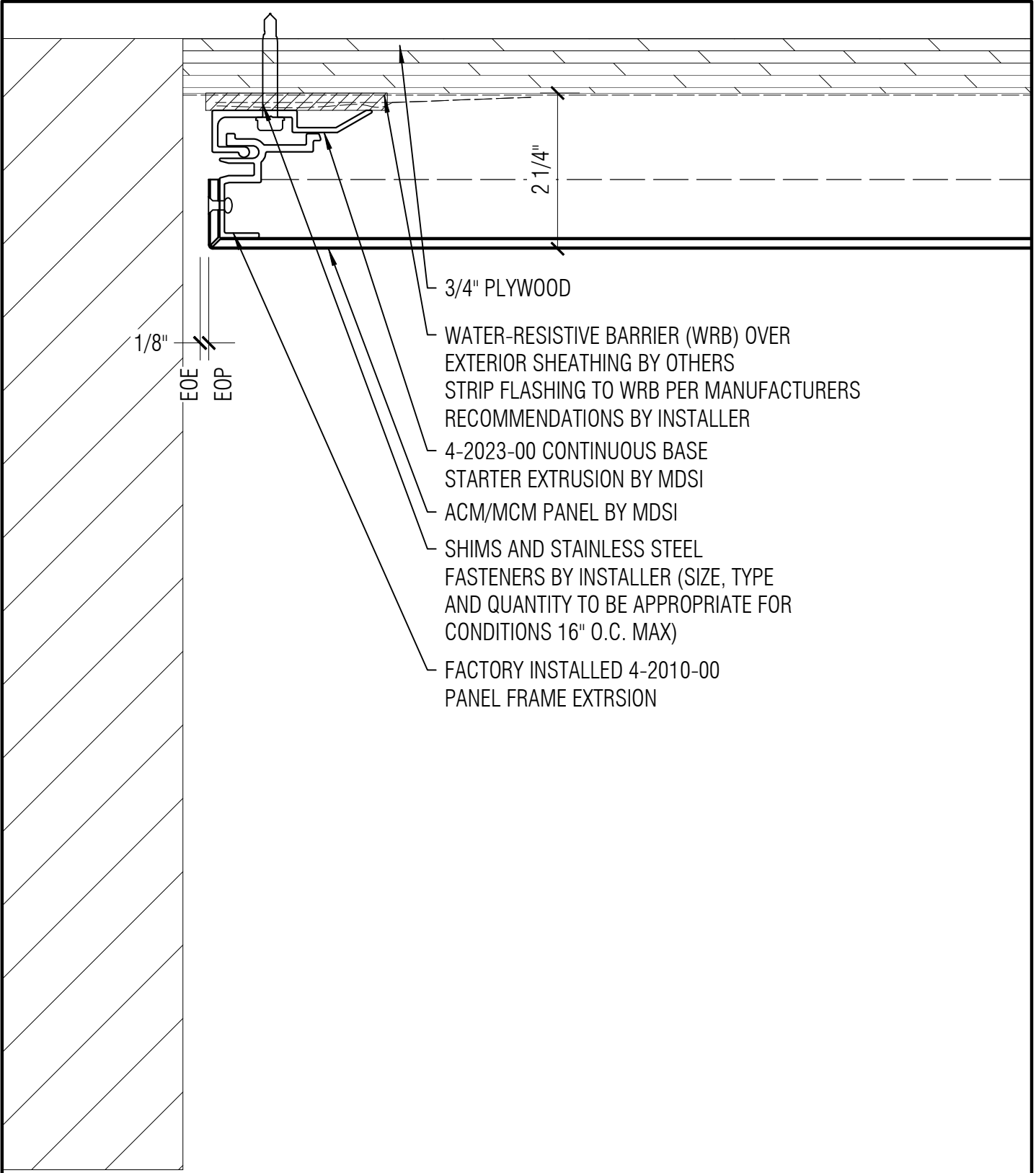
**NOTE:**  
 AIR/MOISTURE BARRIER  
 INSTALLER MUST PROVIDE  
 WEATHER TIGHT SEAL AT  
 ALL BARRIER TERMINATIONS

<p>THE INFORMATION CONTAINED IN THIS DRAWING IS THE SOLE PROPERTY OF METAL DESIGN SYSTEMS INC.. ANY REPRODUCTION, IN PART OR WHOLE, WITHOUT THE WRITTEN PERMISSION OF METAL DESIGN SYSTEMS INC. IS PROHIBITED.</p>  <p><b>METAL DESIGN SYSTEMS</b>  <small>DESIGNED FOR A PERFECT FIT</small></p>	<p><b>METAL DESIGN SYSTEMS</b></p>		<p>PROJECT:  <b>SERIES 20 DETAILS</b></p>			
	<p>4150 C Street S.W.                  Cedar Rapids, Ia. 52404                  Ph. (319) 362-7454</p>		<p>DRAWING DESCRIPTION:  <b>PANEL TO MASONRY DETAIL (STD.)</b></p>			
	<p>MATERIAL:</p>		<p>PROJECT NUMBER:</p>	<p>DRAWING NUMBER:  <b>S20-MCM-13A</b></p>	<p>DATE:  <b>10/1/18</b></p>	
			<p>SCALE:  <b>6" = 1'-0"</b></p>	<p>DRAWN BY:  <b>BSC</b></p>		



<p>THE INFORMATION CONTAINED IN THIS DRAWING IS THE SOLE PROPERTY OF METAL DESIGN SYSTEMS INC.. ANY REPRODUCTION, IN PART OR WHOLE, WITHOUT THE WRITTEN PERMISSION OF METAL DESIGN SYSTEMS INC. IS PROHIBITED.</p>  <p><b>METAL DESIGN SYSTEMS</b> DESIGNED FOR A PERFECT FIT</p>	<p><b>METAL DESIGN SYSTEMS</b></p> <p>4150 C Street S.W. Cedar Rapids, Ia. 52404 Ph. (319) 362-7454</p>		<p>PROJECT: <b>SERIES 20 DETAILS</b></p>		
	<p>MATERIAL:</p>		<p>DRAWING DESCRIPTION: <b>PANEL TO MASONRY DETAIL (OPT.)</b></p>		
			<p>PROJECT NUMBER:</p>	<p>DRAWING NUMBER: <b>S20-MCM-13B</b></p>	<p>DATE: <b>10/1/18</b></p>
			<p>SCALE: <b>6" = 1'-0"</b></p>	<p>DRAWN BY: <b>BSC</b></p>	





3/4" PLYWOOD

WATER-RESISTIVE BARRIER (WRB) OVER EXTERIOR SHEATHING BY OTHERS  
STRIP FLASHING TO WRB PER MANUFACTURERS RECOMMENDATIONS BY INSTALLER

4-2023-00 CONTINUOUS BASE STARTER EXTRUSION BY MDSI

ACM/MCM PANEL BY MDSI


SHIMS AND STAINLESS STEEL FASTENERS BY INSTALLER (SIZE, TYPE AND QUANTITY TO BE APPROPRIATE FOR CONDITIONS 16" O.C. MAX)

FACTORY INSTALLED 4-2010-00 PANEL FRAME EXTRUSION

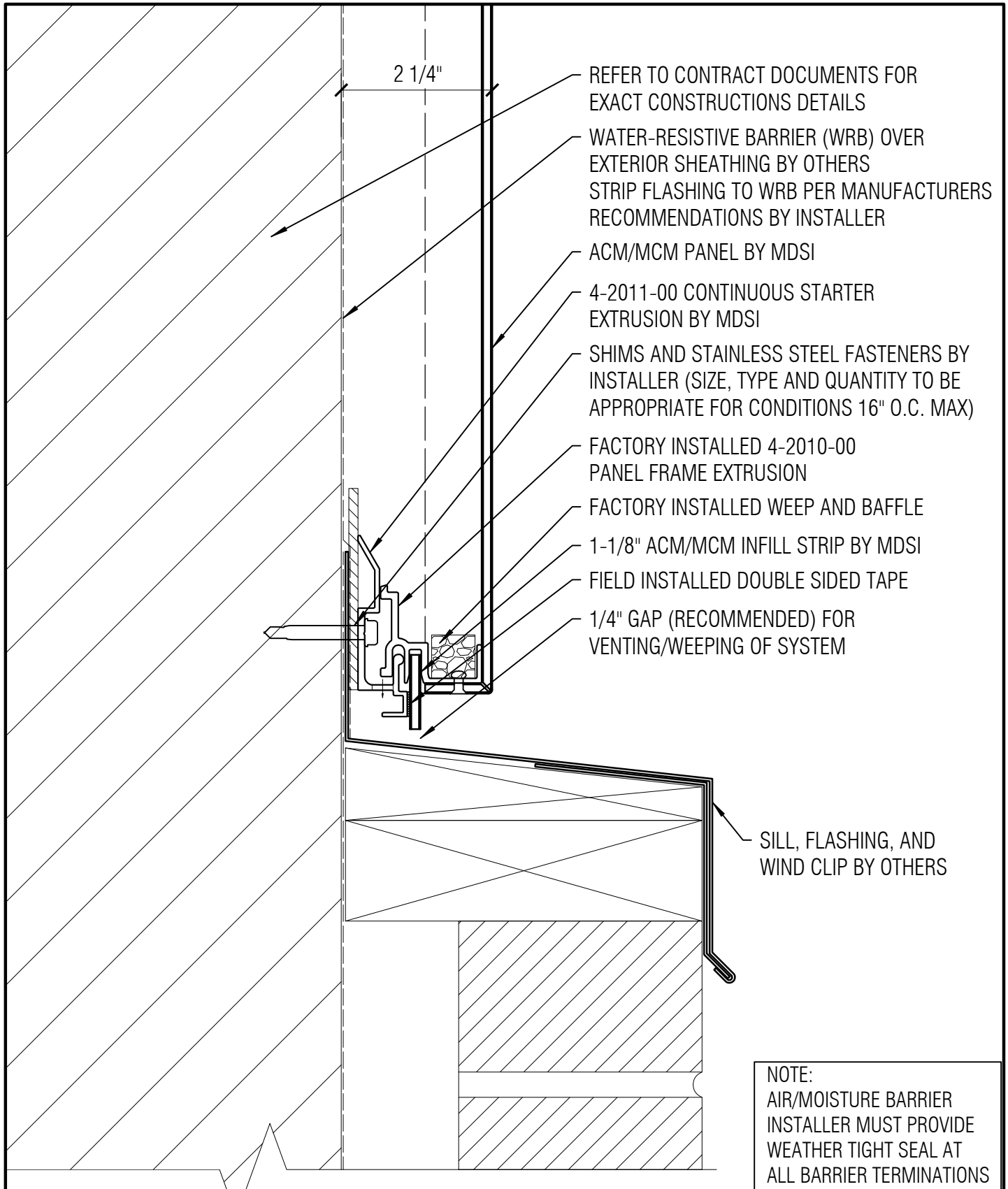
1/8"

EOE  
EOP

2 1/4"

<p>THE INFORMATION CONTAINED IN THIS DRAWING IS THE SOLE PROPERTY OF METAL DESIGN SYSTEMS INC.. ANY REPRODUCTION, IN PART OR WHOLE, WITHOUT THE WRITTEN PERMISSION OF METAL DESIGN SYSTEMS INC. IS PROHIBITED.</p>  <p><b>METAL DESIGN SYSTEMS</b> DESIGNED FOR A PERFECT FIT</p>	<p><b>METAL DESIGN SYSTEMS</b></p>		<p>PROJECT: <b>SERIES 20 DETAILS</b></p>			
	<p>4150 C Street S.W. Cedar Rapids, Ia. 52404 Ph. (319) 362-7454</p>		<p>DRAWING DESCRIPTION: <b>WALL TERMINATION</b></p>			
	<p>MATERIAL:</p>		<p>PROJECT NUMBER:</p>	<p>DRAWING NUMBER: <b>S20-MCM-14</b></p>	<p>DATE: <b>10/1/18</b></p>	
			<p>SCALE: <b>6" = 1'-0"</b></p>	<p>DRAWN BY: <b>BSC</b></p>		

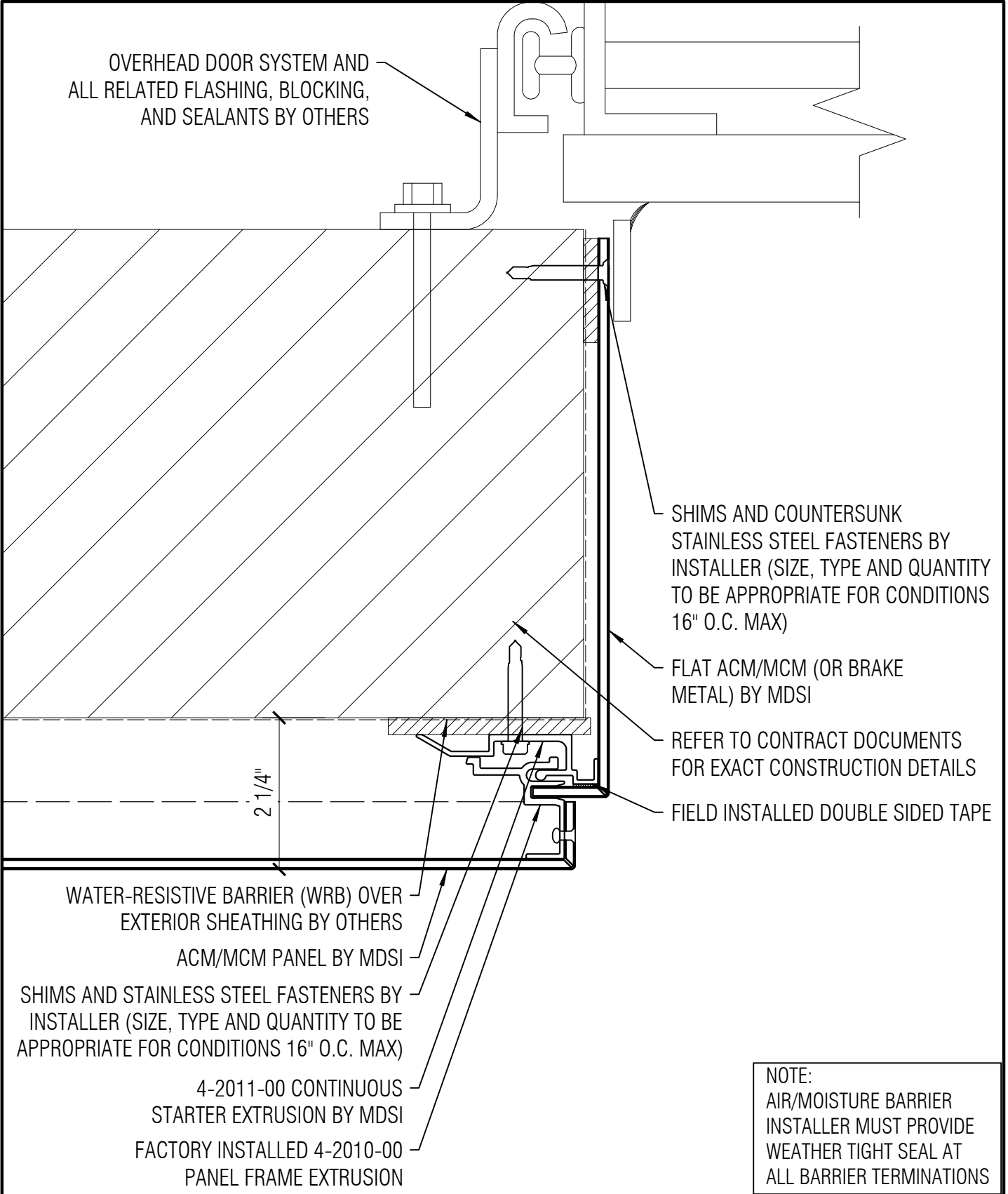
T:\Company Shared Folders\Tech\System Info\Series 20 rethink\Series 20 Rethink Details\New Series 20 for Rhino Details (website only not for modeling).3dm page 26 of 30 printed 8/29/2019 6:59 last saved 8/29/2019 6:58




NOTE:  
AIR/MOISTURE BARRIER  
INSTALLER MUST PROVIDE  
WEATHER TIGHT SEAL AT  
ALL BARRIER TERMINATIONS

<p>THE INFORMATION CONTAINED IN THIS DRAWING IS THE SOLE PROPERTY OF METAL DESIGN SYSTEMS INC.. ANY REPRODUCTION, IN PART OR WHOLE, WITHOUT THE WRITTEN PERMISSION OF METAL DESIGN SYSTEMS INC. IS PROHIBITED.</p>  <p><b>METAL DESIGN SYSTEMS</b> DESIGNED FOR A PERFECT FIT</p>	<p><b>METAL DESIGN SYSTEMS</b></p> <p>4150 C Street S.W. Cedar Rapids, Ia. 52404 Ph. (319) 362-7454</p>		<p>PROJECT: <b>SERIES 20 DETAILS</b></p>		
	<p>MATERIAL:</p>		<p>DRAWING DESCRIPTION: <b>MASONRY SILL DETAIL (STD.)</b></p>		
			<p>PROJECT NUMBER:</p>	<p>DRAWING NUMBER: <b>S20-MCM-15</b></p>	<p>DATE: <b>10/1/18</b></p>
			<p>SCALE: <b>6" = 1'-0"</b></p>	<p>DRAWN BY: <b>BSC</b></p>	

T:\Company Shared Folders\Tech\System Info\Series 20 rethink\Series 20 Rethink Details\New Series 20 for Rhino Details (website only not for modeling).3dm page 27 of 30 printed 8/29/2019 6:59 last saved 8/29/2019 6:58



**NOTE:**  
AIR/MOISTURE BARRIER  
INSTALLER MUST PROVIDE  
WEATHER TIGHT SEAL AT  
ALL BARRIER TERMINATIONS

<p>THE INFORMATION CONTAINED IN THIS DRAWING IS THE SOLE PROPERTY OF METAL DESIGN SYSTEMS INC.. ANY REPRODUCTION, IN PART OR WHOLE, WITHOUT THE WRITTEN PERMISSION OF METAL DESIGN SYSTEMS INC. IS PROHIBITED.</p>  <p><b>METAL DESIGN SYSTEMS</b> DESIGNED FOR A PERFECT FIT</p>	<p><b>METAL DESIGN SYSTEMS</b></p>		<p>PROJECT: <b>SERIES 20 DETAILS</b></p>			
	<p>4150 C Street S.W. Cedar Rapids, Ia. 52404 Ph. (319) 362-7454</p>		<p>DRAWING DESCRIPTION: <b>OVERHEAD DOOR JAMB DETAIL (TYP.)</b></p>			
	<p>MATERIAL:</p>		<p>PROJECT NUMBER:</p>	<p>DRAWING NUMBER: <b>S20-MCM-16</b></p>	<p>DATE: <b>10/1/18</b></p>	
			<p>SCALE: <b>6" = 1'-0"</b></p>	<p>DRAWN BY: <b>BSC</b></p>		

T:\Company Shared Folders\Tech\System Info\Series 20 rethink\Series 20 Rethink Details\New Series 20 for Rhino Details (website only not for modeling).3dm page 28 of 30 printed 8/29/2019 6:59 last saved 8/29/2019 6:58

FACTORY INSTALLED 4-2010-00  
PANEL FRAME EXTRUSION

ACM/MCM PANEL BY MDSI

ROOF MEMBRANE OVER  
WATER-RESISTIVE BARRIER  
(WRB) OVER EXTERIOR  
SHEATHING BY OTHERS  
TREAT ALL FASTENER  
PENETRATIONS PER WRB  
MANUFACTURERS  
RECOMMENDATIONS BY  
INSTALLER

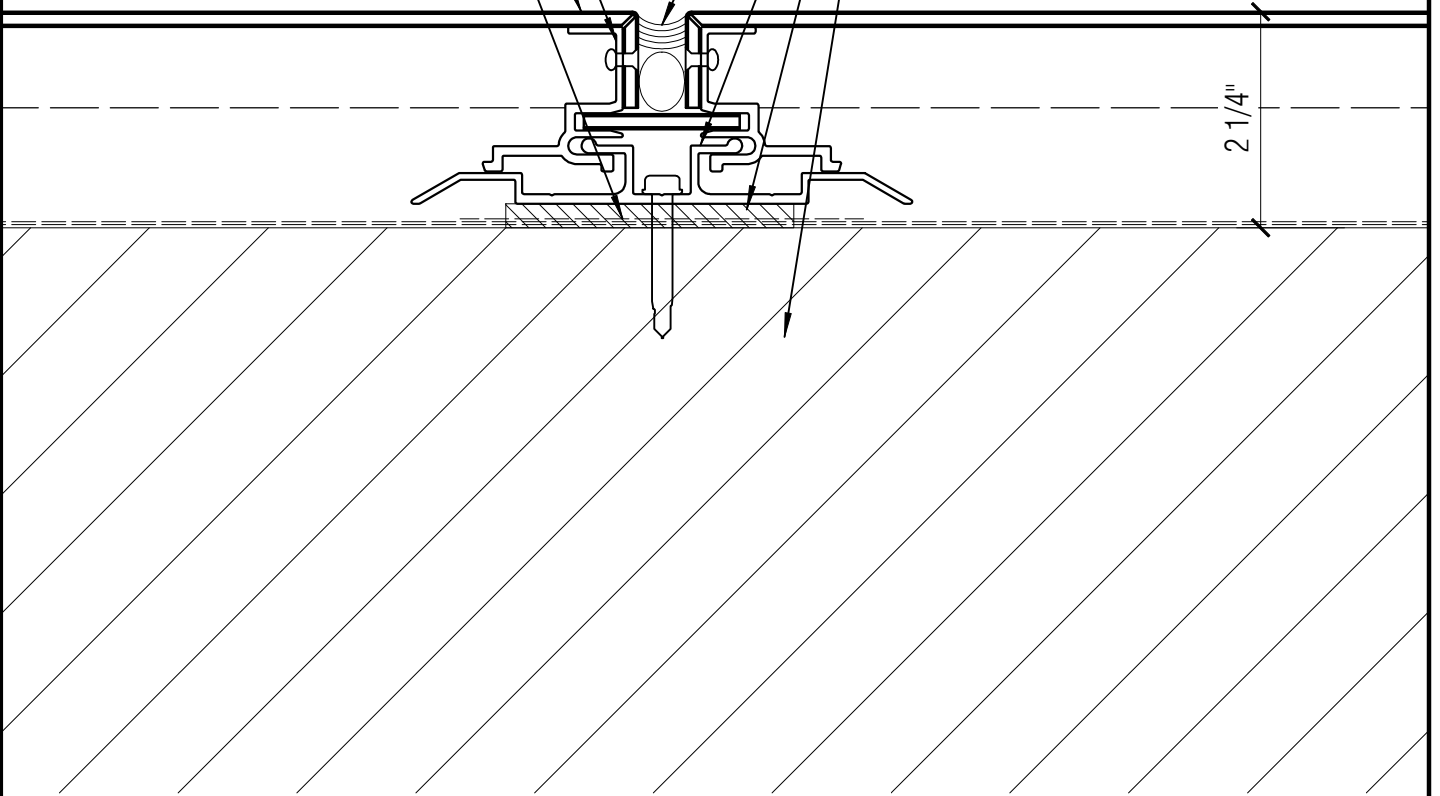
EOP    EOP  
1/4"    1/4"

INSTALLER TO PROVIDE  
SEALANT AND BACKER ROD  
OVER ACM/MCM INFILL STRIP


4-2013-00 4" VERTICAL CLIP BY MDSI

SHIMS AND STAINLESS STEEL FASTENERS BY  
INSTALLER (SIZE, TYPE AND QUANTITY TO BE  
APPROPRIATE FOR CONDITIONS 16" O.C. MAX)

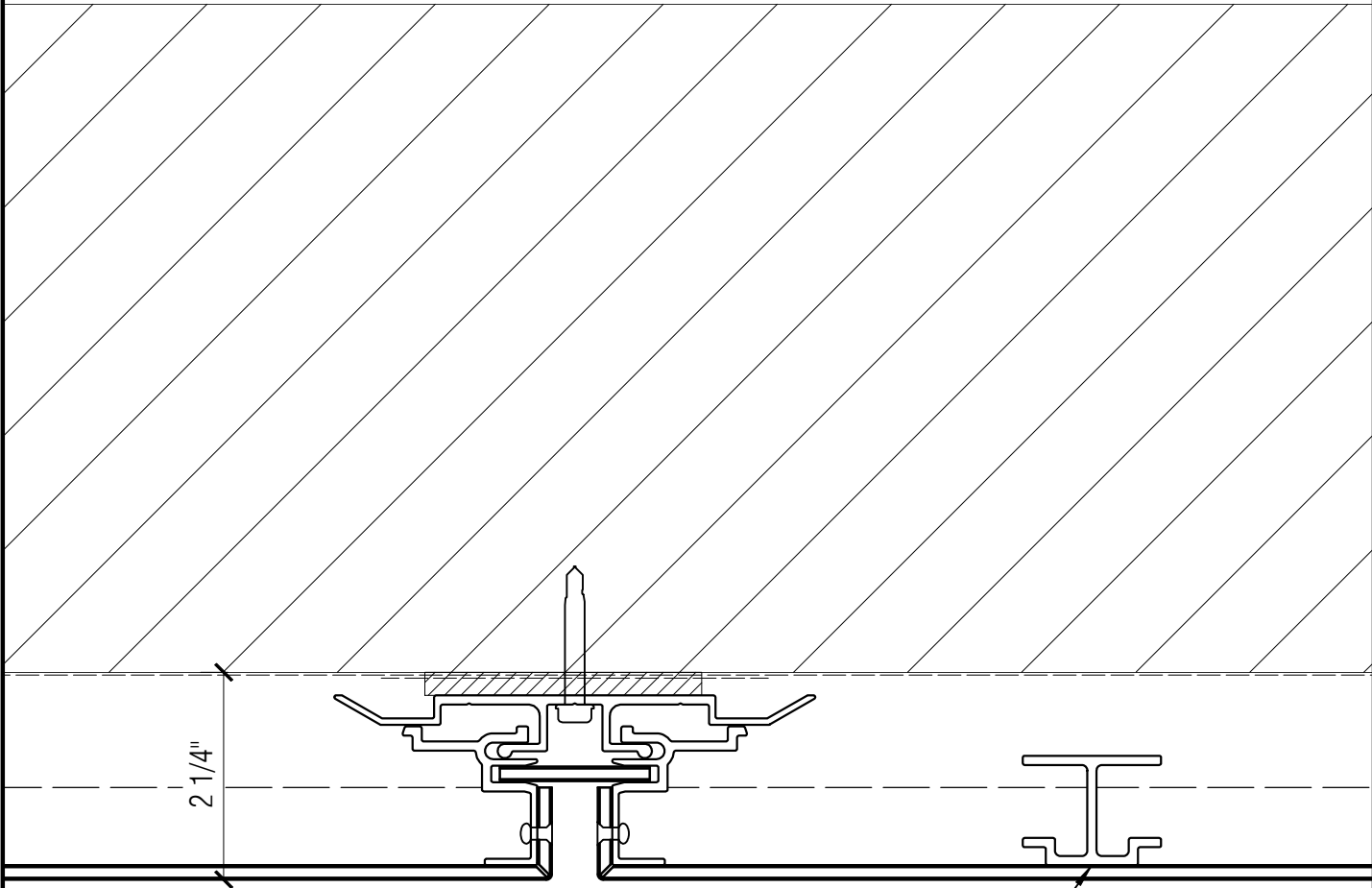
REFER TO CONTRACT DOCUMENTS FOR  
EXACT CONSTRUCTIONS DETAILS




NOTE:  
AIR/MOISTURE BARRIER  
INSTALLER MUST PROVIDE  
WEATHER TIGHT SEAL AT  
ALL BARRIER TERMINATIONS

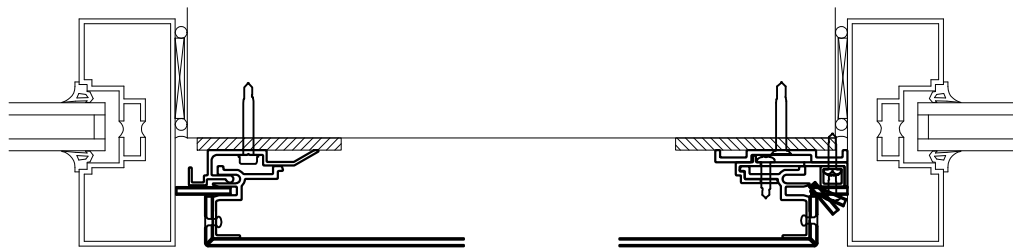
<p>THE INFORMATION CONTAINED IN THIS DRAWING IS THE SOLE PROPERTY OF METAL DESIGN SYSTEMS INC.. ANY REPRODUCTION, IN PART OR WHOLE, WITHOUT THE WRITTEN PERMISSION OF METAL DESIGN SYSTEMS INC. IS PROHIBITED.</p>  <p><b>METAL DESIGN SYSTEMS</b> DESIGNED FOR A PERFECT FIT</p>	<p><b>METAL DESIGN SYSTEMS</b></p> <p>4150 C Street S.W. Cedar Rapids, Ia. 52404 Ph. (319) 362-7454</p>		<p>PROJECT: <b>SERIES 20 DETAILS</b></p>		
	<p>MATERIAL:</p>		<p>DRAWING DESCRIPTION: <b>SKYWARD FACING JOINT</b></p>		
			<p>PROJECT NUMBER:</p>	<p>DRAWING NUMBER: <b>S20-MCM-17</b></p>	<p>DATE: <b>10/1/18</b></p>
			<p>SCALE: <b>6" = 1'-0"</b></p>	<p>DRAWN BY: <b>BSC</b></p>	

T:\Company Shared Folders\Tech\System Info\Series 20 rethink\Series 20 Rethink Details\New Series 20 for Rhino Details (website only not for modeling).3dm page 29 of 30 printed 8/29/2019 6:59 last saved 8/29/2019 6:58



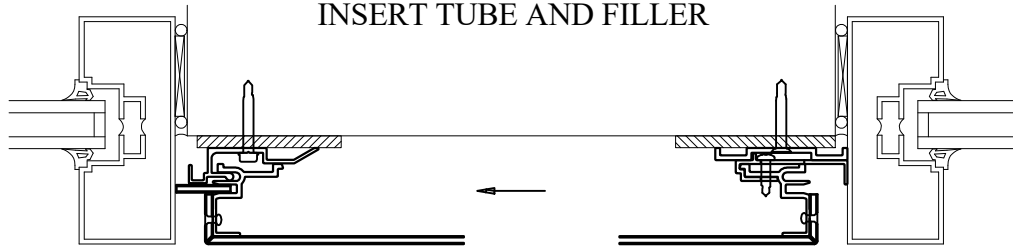
4-2016-00 FACTORY ADHERED  
PANEL STIFFENER

<p>THE INFORMATION CONTAINED IN THIS DRAWING IS THE SOLE PROPERTY OF METAL DESIGN SYSTEMS INC.. ANY REPRODUCTION, IN PART OR WHOLE, WITHOUT THE WRITTEN PERMISSION OF METAL DESIGN SYSTEMS INC. IS PROHIBITED.</p>  <p><b>METAL DESIGN SYSTEMS</b> DESIGNED FOR A PERFECT FIT</p>	<p><b>METAL DESIGN SYSTEMS</b></p>		<p>PROJECT: <b>SERIES 20 DETAILS</b></p>			
	<p>4150 C Street S.W. Cedar Rapids, Ia. 52404 Ph. (319) 362-7454</p>		<p>DRAWING DESCRIPTION: <b>VERTICAL PANEL JOINT DETAIL (TYP.)</b></p>			
	<p>MATERIAL:</p>		<p>PROJECT NUMBER:</p>	<p>DRAWING NUMBER: <b>S20-MCM-18</b></p>	<p>DATE: <b>10/1/18</b></p>	
	<p>SCALE: <b>6" = 1'-0"</b></p>		<p>DRAWN BY: <b>BSC</b></p>			



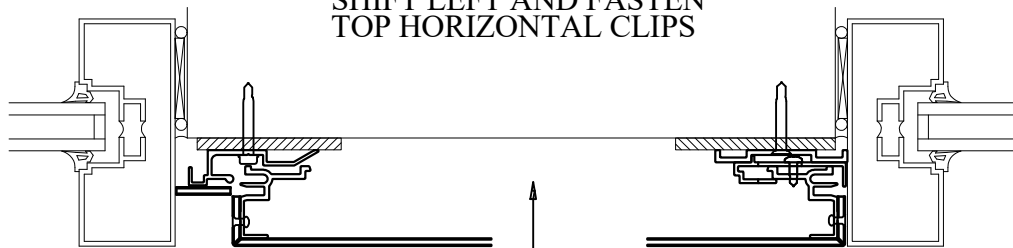
### Step 4

INSERT TUBE AND FILLER



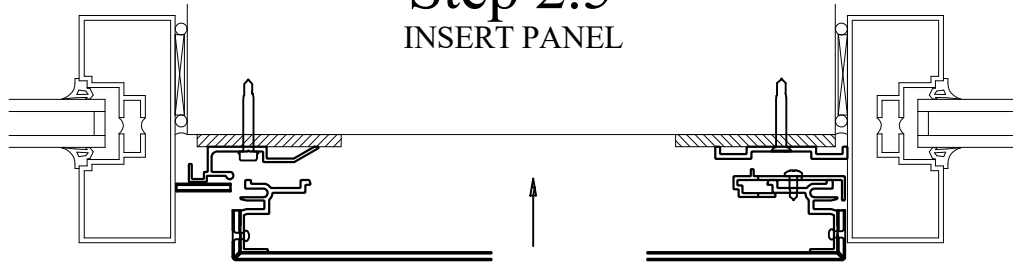
### Step 3

SHIFT LEFT AND FASTEN  
TOP HORIZONTAL CLIPS



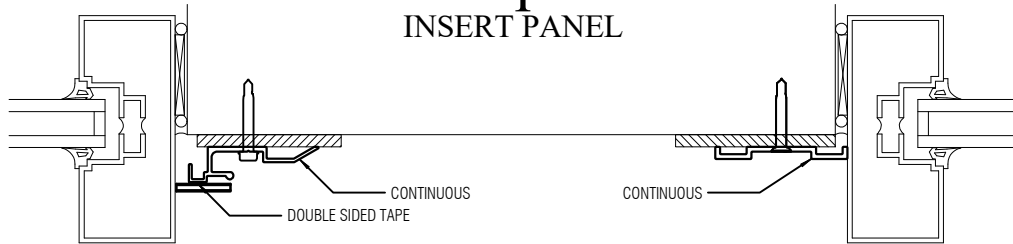
### Step 2.5

INSERT PANEL



### Step 2

INSERT PANEL



### Step 1

SET PERIMETER EXTRUSIONS AND LEFT FILLER

THE INFORMATION CONTAINED IN THIS DRAWING IS THE SOLE PROPERTY OF METAL DESIGN SYSTEMS INC.. ANY REPRODUCTION, IN PART OR WHOLE, WITHOUT THE WRITTEN PERMISSION OF METAL DESIGN SYSTEMS INC. IS PROHIBITED.



**METAL DESIGN SYSTEMS**

4150 C Street S.W.  
Cedar Rapids, Ia. 52404  
Ph. (319) 362-7454

MATERIAL:

PROJECT:  
**SERIES 20 DETAILS**

DRAWING DESCRIPTION:  
**LOCKOUT INSTALLATION STEPS**

PROJECT NUMBER:	DRAWING NUMBER: <b>S20-MCM</b>	DATE: <b>10/1/18</b>
-----------------	-----------------------------------	-------------------------

SCALE: <b>6" = 1'-0"</b>	DRAWN BY: <b>BSC</b>
-----------------------------	-------------------------